

201
FLUA® 9

E

EXTERIOR
PROFESSIONAL & INSPIRATION
LIGHTING

EXTERIOR
PROFESSIONAL & INSPIRATION
LIGHTING

4

FLUA S. R. L.
BASTIONI DI PORTA VOLTA 7,
MILANO, ITALY CAP 20121
TEL: +39-3927778888
FAX: +39-0236728301
E-MAIL: INFO@FLUA.COM
WWW.FLUA.COM

AULIX lighting

návrhy osvětlení a prodej svítidel
inteligentní systémy, vypínače

SVĚTELNÉ STUDIO

Náměstí Na Sádkách 705
252 41 Dolní Břežany (Praha západ)

Telefon: +420 246 083 152

Mobil.: +420 702 061 783

E-mail: studio@aulix.cz

Web: www.aulix.cz

E-shop: <http://obchod.aulix.cz>

FLUA®

PERFORM YOUR LIGHT

WWW.FLUA.COM



1

We are FLUA.

The challenging art of minimalism, where every tiny detail is accounted for, inspired us to create our new product line with unprecedented aesthetic value and, at the same time, profound functionality. Our international design team is working fanatically to develop our product range with best light performance focusing on each element from the whole concept to the tiniest detail.

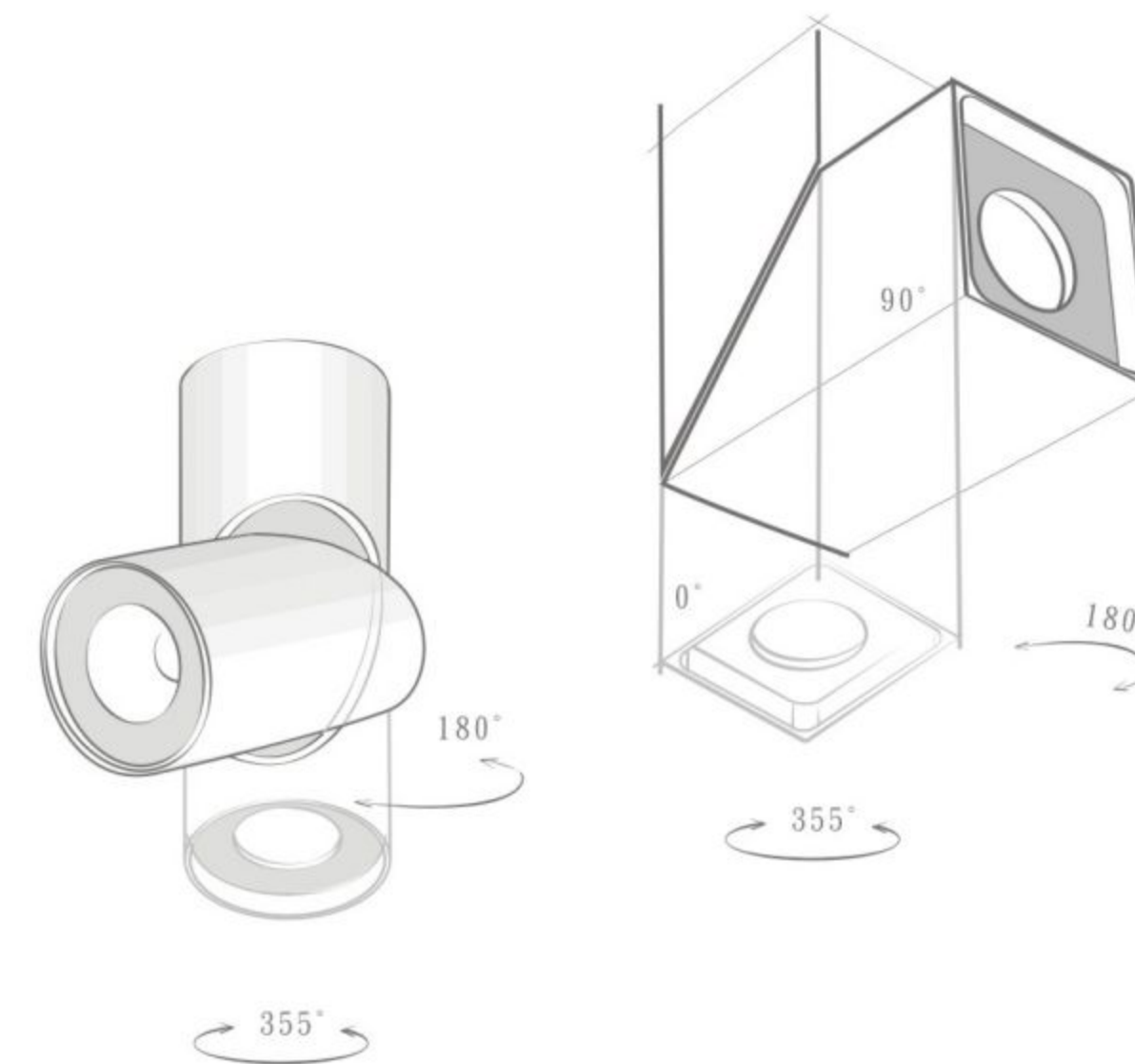
FLUA's products range, with more than 1000 selection, can answer all possible lighting demands. Our products are made with care for each detail, designed to decorate indoor and outdoor spaces, offering best lighting solutions according to modern tendencies. Being a young company, we are focusing on most advanced LED technology, innovative solutions and fashionable design. For a short period of time, FLUA has already conquered the hearts of thousands designers and architects all over the world. From Milan to Singapore, from Dubai to Shanghai we provide best lighting experience and knowledge to meet the functional and aesthetic needs.

R&D



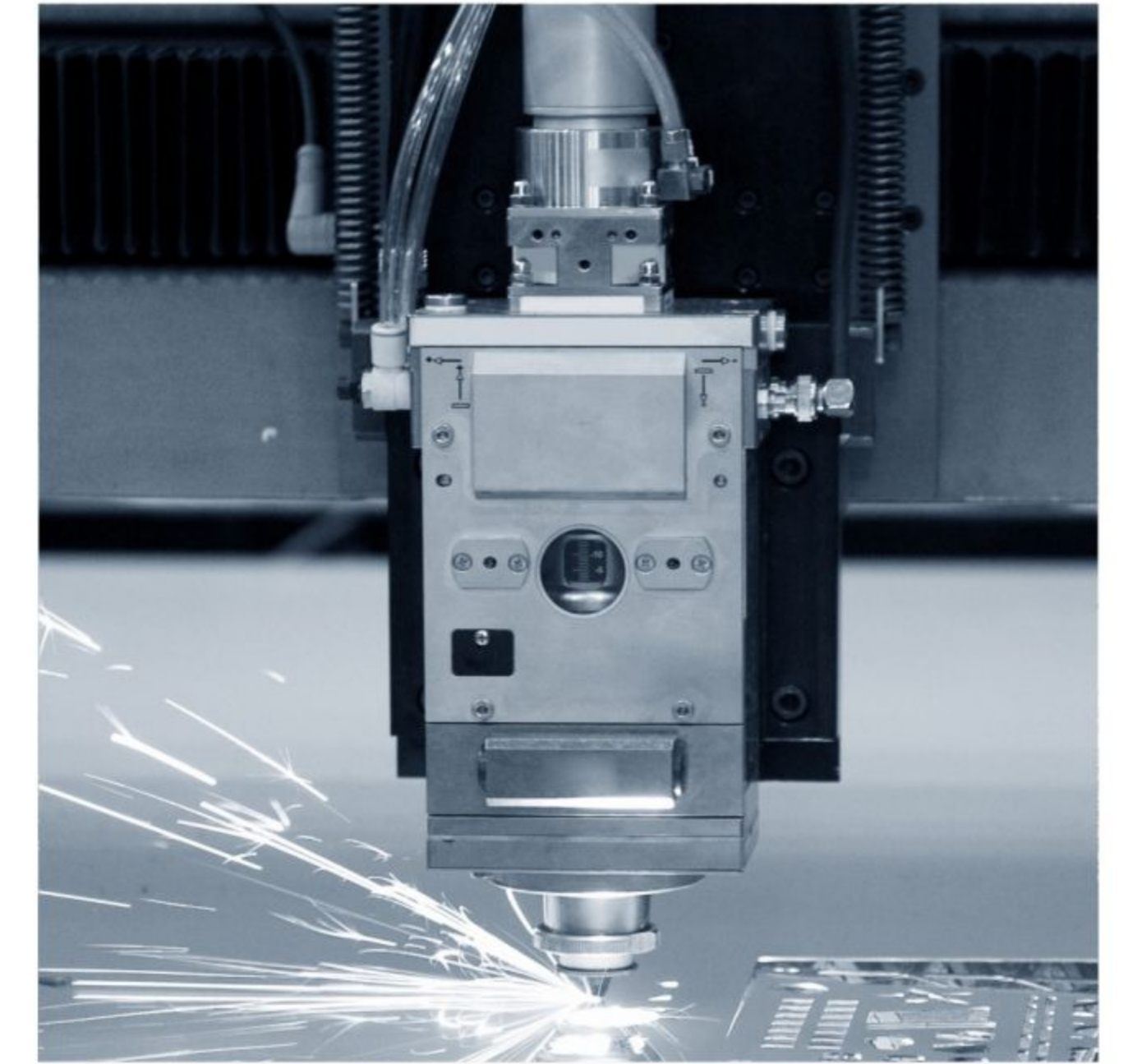
Design and development of FLUA new collections are inspired by new trends in technology and advanced engineering solutions. The lighting industry is constantly changing, and FLUA's professional in-house design bureau in co-operation with leading designers and consultancies, is constantly studying the markets, materials, methods and applications to create the best lighting solutions. Our main principals are efficiency, flexibility, functionality and most advanced technology.

TECHNOLOGY



We deeply understand the importance of new technologies both in product development and production management. FLUA has integrated the best and most advanced technologies in IT, production management and logistics to create CRM system to provide additional value added services to our customers and to make our cooperation more efficient and easier.

PRODUCTION

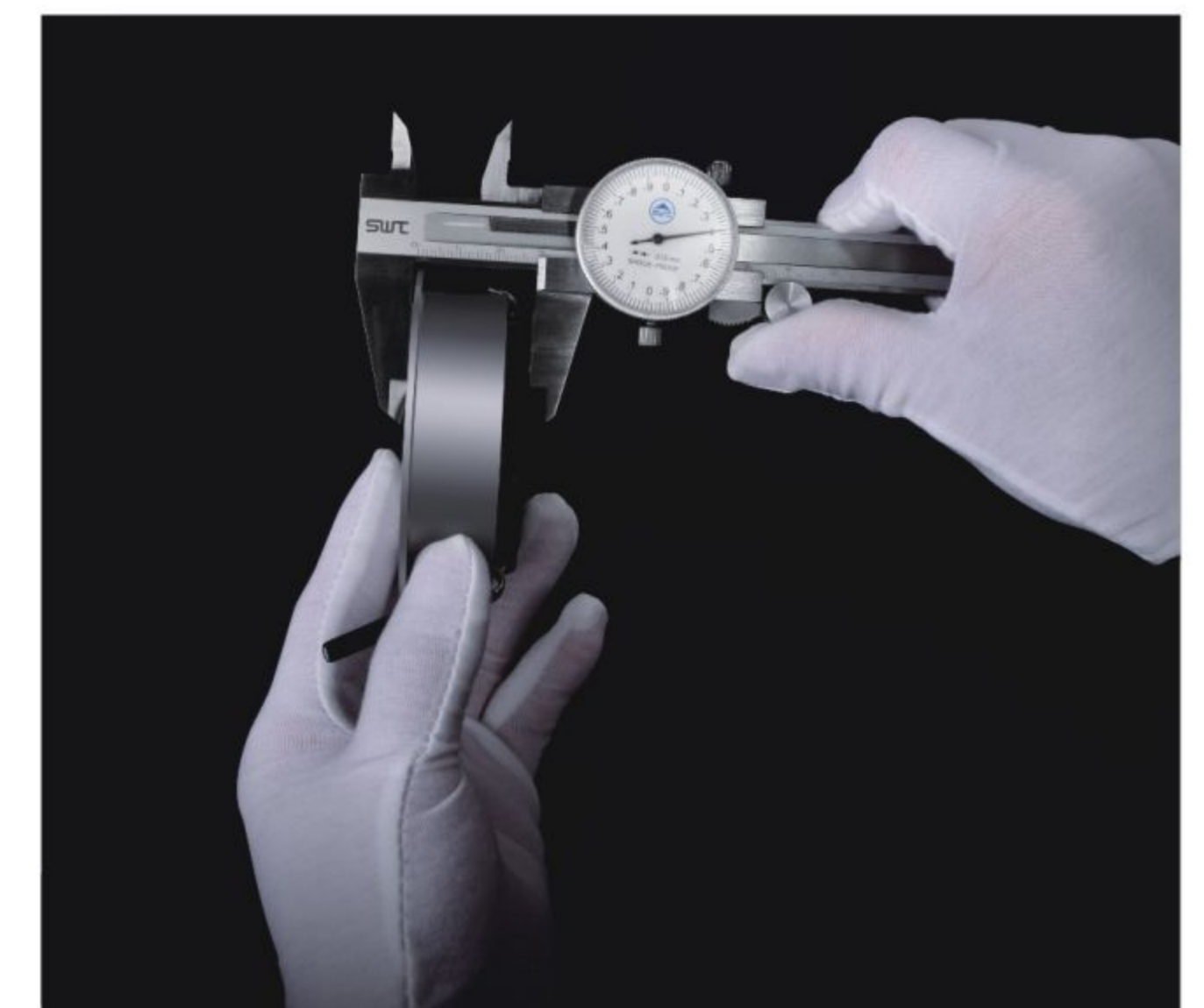


FLUA lighting collection has grown to more than 1000 product references, ranging from indoor eye-catching design solutions and outdoor luminaires. We focus on details, from design and development to each production step.

Our production facilities contain most advanced equipment including aluminum foundry, 3D printing, and an advanced Design / Test laboratory. Finished products undergo strict quality testing.

2

QUALITY



Throughout the production process FLUA has developed strict quality parameters. Each step of production is strictly checked and tested. Careful selection of raw materials and electronic components, highly skilled professionals and innovative solutions are the result of high quality of FLUA luminaires.

APPLICATION

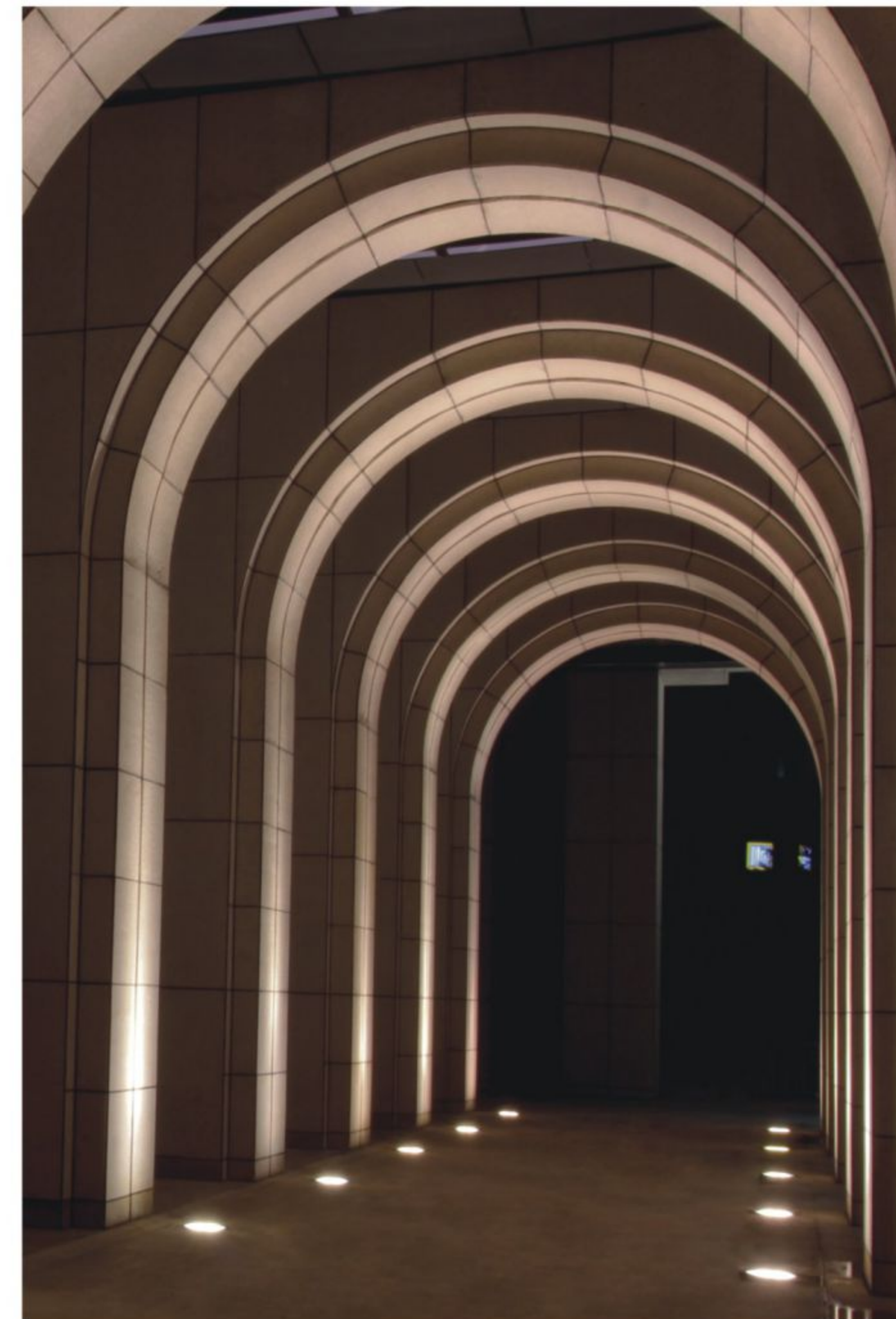
ISRAEL VILLA



ISRAEL VILLA

APPLICATION

ISRAEL VILLA



BUSINESS COOPERATION

MATERIALS AND COMPONENTS

Careful selection of raw-materials and most innovative LED technology solutions in addition to professional craftsmanship and unique design are the keys to the success of our company. FLUA is working in strong long term cooperation with worldwide leading manufacturers of materials and components. Advanced technologies, latest innovative achievements are deeply investigated in strong synergy with our suppliers in order to find the best solutions for our products.



5



FLUA PARTNERS

FLUA recognizes the value and importance of our Distribution Channels. Our Partners are professional Agents and Distributors co-operating with FLUA on long-term basis. Companies given Agent and Distributor Partner status obtain certain stipulated business terms and conditions and joint obligations / goals related to overall Sales (turnover) / Brand promotion. To know more information about Distribution policy or apply for co-operation please contact us by e-mail info@flua.com or fill the application form on our web site www.flua.com



6



SMART HOME

Smart home technology can help your home run more efficiently while helping family live in total comfort. Lighting control system is employed to maximize energy savings. With the help of user friendly application light could be switched on/off by one finger touch. We use most advanced solution wireless ZigBee protocol.

SYMBOLS

	Complies with the European standard EN 60598-1
	CLASS III-Devices powered by safe voltage under 50V
	Device suitable for use in furniture
	Device suitable for mounting on normal flammable surfaces
	Correct disposal of this product (waste electrical & electronic equipment)
	Device can withstand weight up to Kg/cm²...
	Walk over device
	Hole size
	Gross weight of the product in kg
	Use the protective shield and replace when cracked
	Normal
	DT Dim triac : Rear out(RPC) Mos tube dimming
	DX Dim 1-10V : The brightness can be changed through the change of 1-10V signal
	DO Dim color temperature : The color temperature and brightness is dimmable
	DS The color temperature can be changed through the brightness changing
	DA Digital Addressable lighting interface
	IOS / ANDROID USB Charger
	DP Dimmable by Push
	DT Dimmable by Sensor
	Dual channel electronic change controller

SPECIAL LIGHT BEAM

Clear	White	20-60° Adjustable beam	P Asymmetric beam	180°	Diffused beam	Diamond Light
Oval beam	Oval beam	Radial				

LED COLOURS

Color temperature

Warm White	2700K	3000K
Neutral White	4000K	
Cool White	5000K	5700K 6000K

Other colors

Blue	
Red	
Green	
Amber	

Full color

RGB		RGB	
RGB		RGBW	

IP RATING



The IP rating (International Protection) is regulation defined by the EN 60529 norm (recognized by the CEI organization as 70-1) which explains the protection of electric and electronic devices from external solid or liquid agent. The prefix IP is followed by two numbers.

- The first number identifies the protection degree against the entry of solid foreign objects.
 - IP1X** Protected from the entry of solid objects bigger than 50mm
 - IP2X** Protected from the entry of solid objects bigger than 12mm
 - IP3X** Protected from the entry of solid objects bigger than 2.5mm
 - IP4X** Protected from the entry of solid objects bigger than 1mm
 - IP5X** Protected from the entry of dust
 - IP6X** Completely protected from the entry of dust
- The second number identifies the protection degree against the entry of liquids.
 - IPX0** Unprotected
 - IPX1** Protected from water drops falling vertically
 - IPX2** Protected from water falling with a maximum inclination of 15°
 - IPX3** Protected from rain
 - IPX4** Protected from sprinklings
 - IPX5** Protected from water jets
 - IPX6** Protected from wave
 - IPX7** Protected against temporary immersion
 - IPX8** Protected against permanent immersion (maximum depth 3 meters)

FINISH

SINGLE COLOR

Powder spray

PAB Matte Black

PCS Matte Coffee

PBL Glossy Black

PGY Matte Dark Grey

Stainless steel

SSS

Anodized

AGS

FLICKER

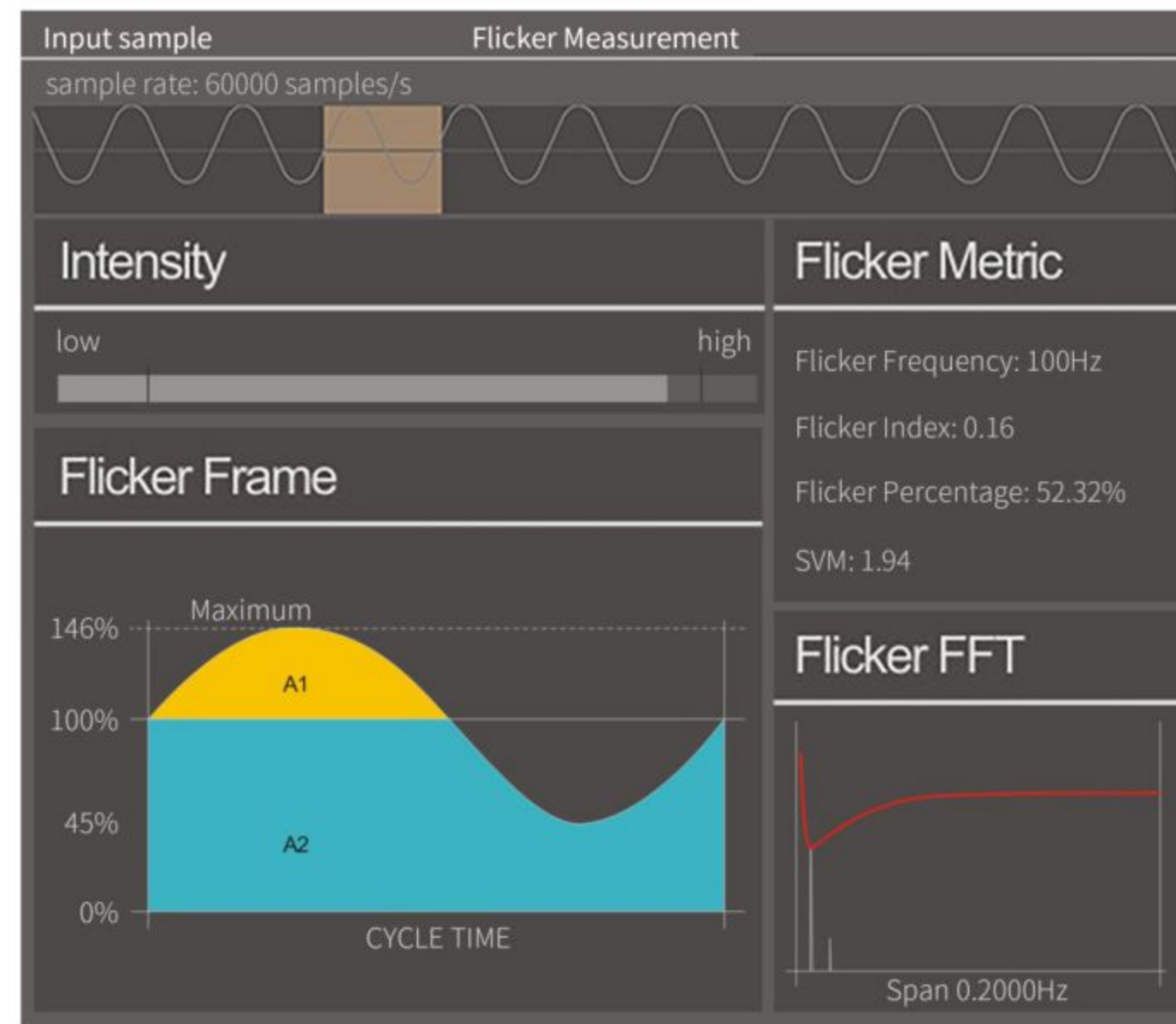
SVM: Stroboscopic effect visibility measure

SVM < 1, stroboscopic invisible;
SVM ≥ 1, stroboscopic visible.

FI: Flicker index

The stroboscopic index refers to the area above and below the average output of optical signal in a period of fluctuation, A1 and A2 respectively. IES recommends FI below 0.1 to ensure good lighting.

Calculation formula: $FI = A1 / (A1 + A2)$

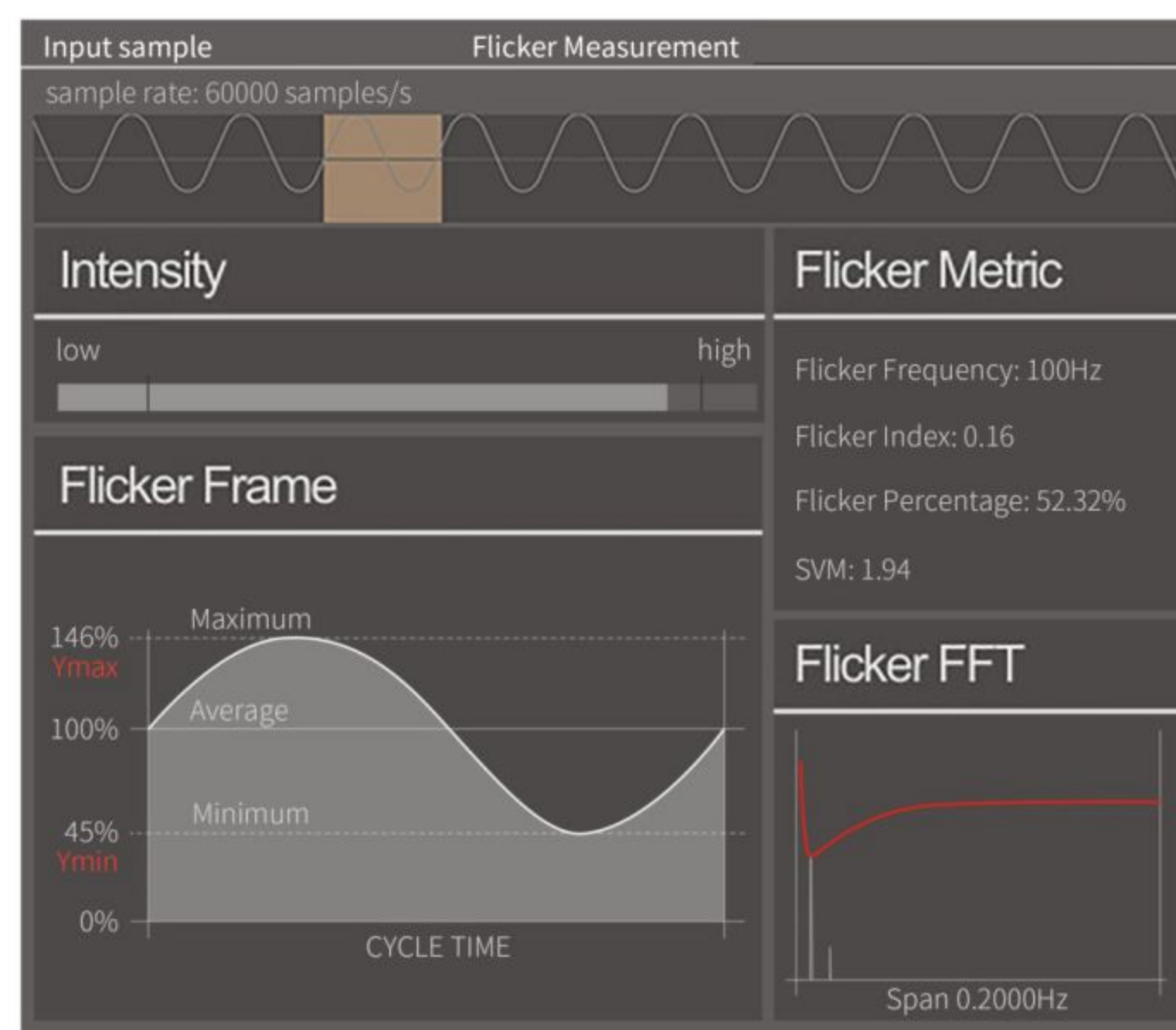


11

PF: Flicker Percent

The stroboscopic percentage refers to the amplitude and depth of the fluctuation in the standard brightness during a period of fluctuation.

Calculation formula: $PF = (Y_{max} - Y_{min}) / (Y_{max} + Y_{min})$



FF: Flicker Frequency

The stroboscopic frequency refers to the number of stroboscopic fluctuations per second of lamps in seconds. Since the Fps of our eyes are 24 fps, we can't detect whether the lamps are flashing or not. For a variety of instruments and equipment, we provide stroboscopic frequency for technical personnel to refer to.

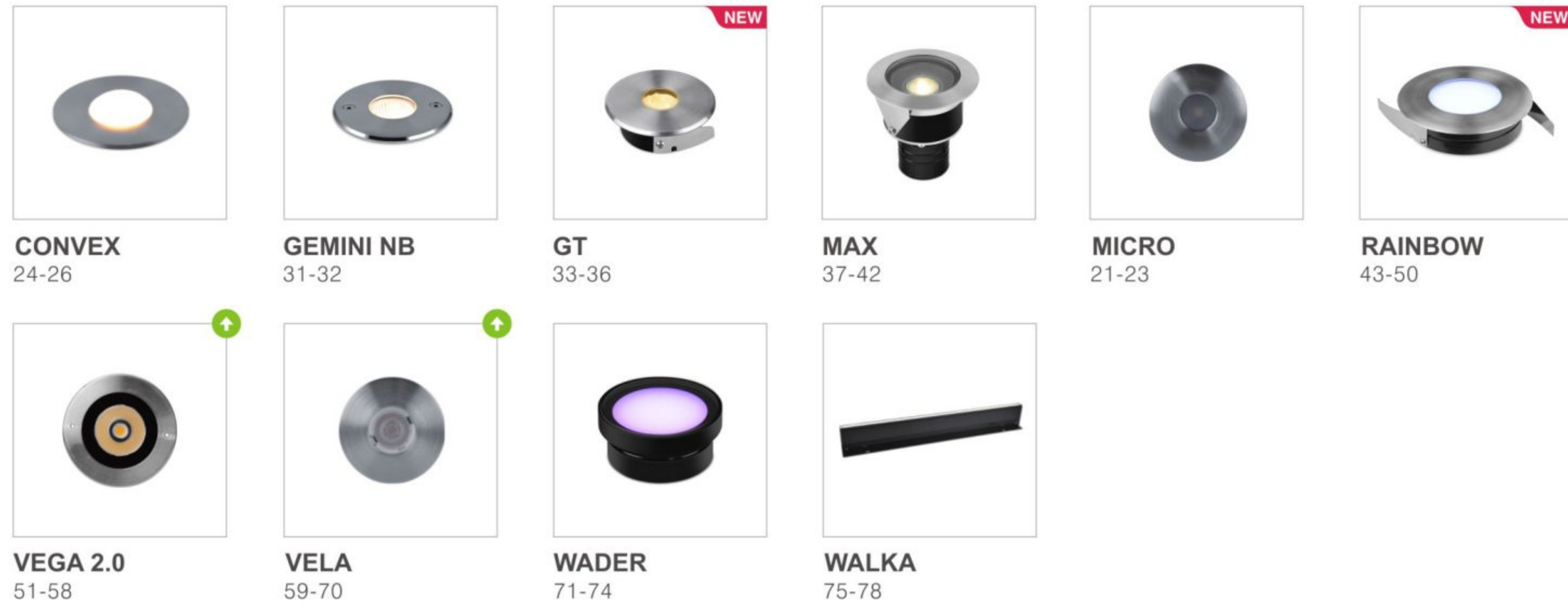
CERTIFICATIONS



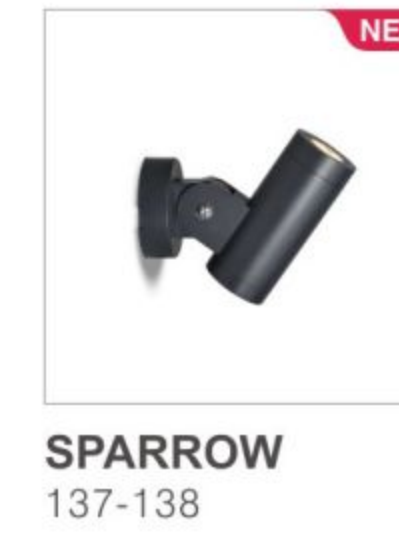
12

EXTERIOR PROFESSIONAL

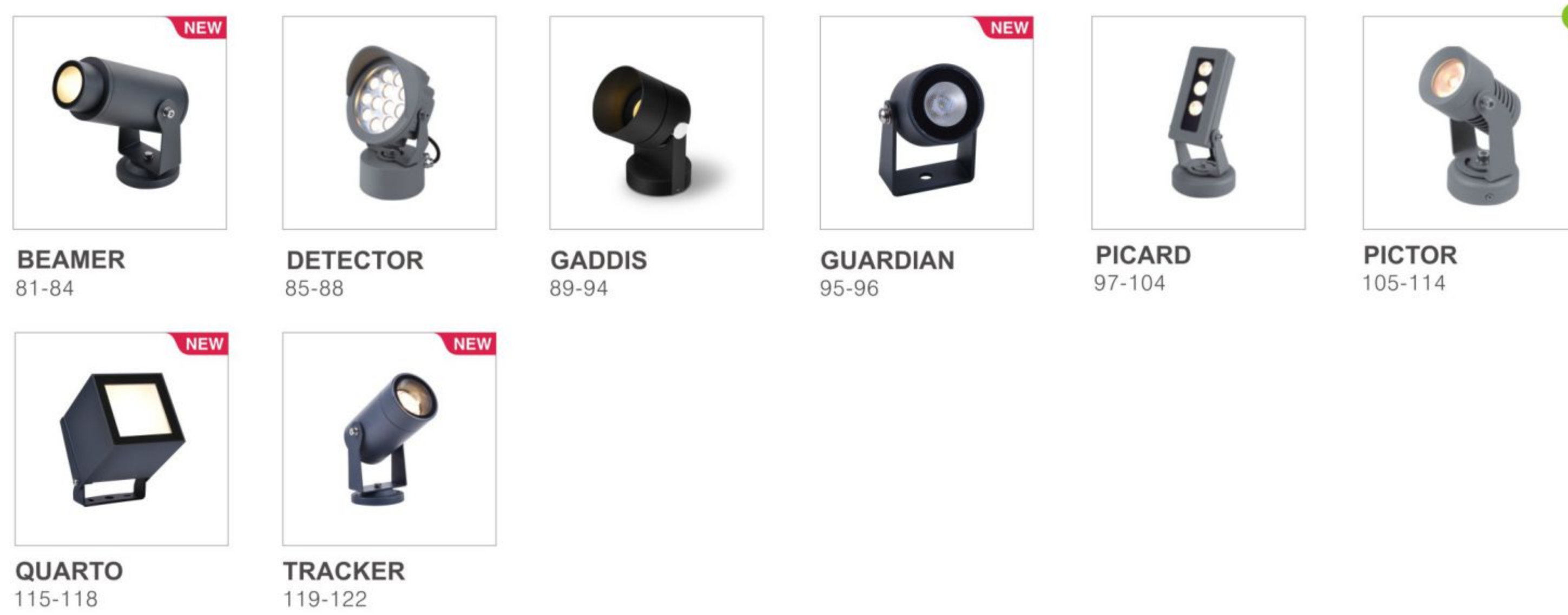
INGROUND



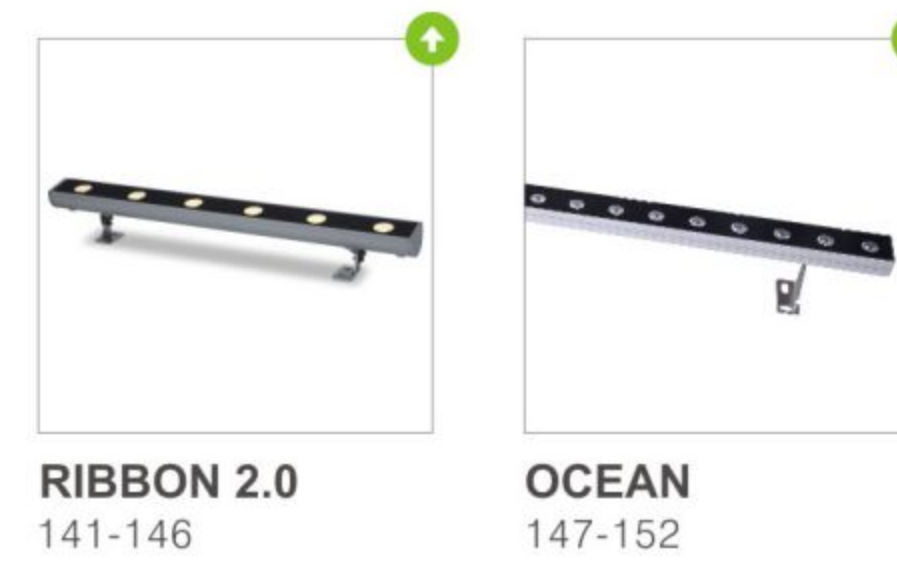
WALL



GARDEN SPOT



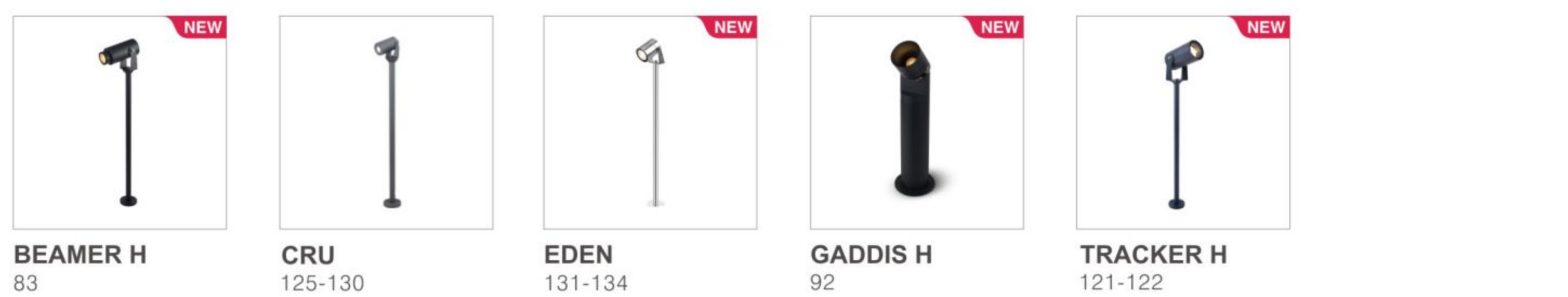
WALL WASHER



UNDER WATER



GARDEN SPOT (H)



EXTERIOR INSPIRATION

INGROUND



HALO
189-190



SURROUND
191-194

GARDEN SPOT



LOOK
197-198



STEVE 2.0
199-200

GARDEN SPOT (H)



ARGO
203-206



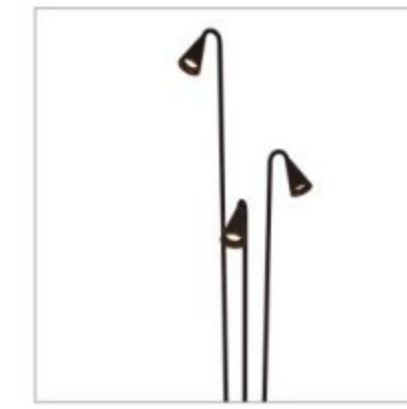
BEACON
207-208



DISCUS H
211-212



ETERNITY
213-216



GRUS
217-222



JOY
223-224



LANCER
225-228



LEEO H
231-232



LIBRA
233-234



TETRIS H
236-240



WAY
241-244

WALL



APUS 2.0
247-256



CORENA
257-262



CUBE
263-266



DISCUS W
209-210



ELF
267-268



GRAY
269-270



LEEO W
229-230



PACE
271-282



QUIVER
283-286



SIMPHONIA
287-290



TEAR
291-292



TETRIS W
235-236



TUBUS
293-296



EXTERIOR PROFESSIONAL

21-78	INGROUND	
81-134	GARDEN SPOT	
137-138	WALL	
141-152	WALL WASHER	
155-184	UNDER WATER	

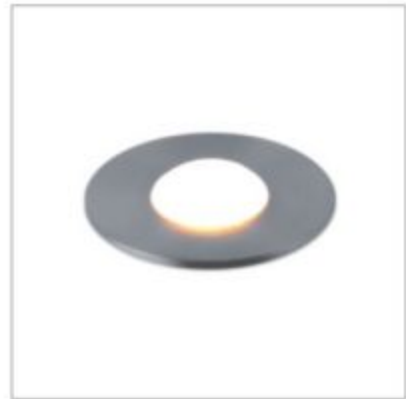


















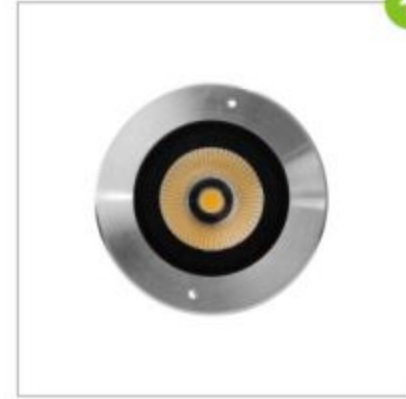


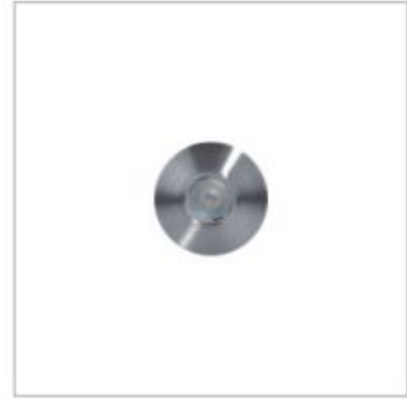








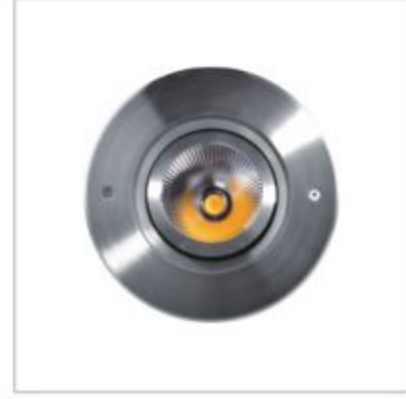
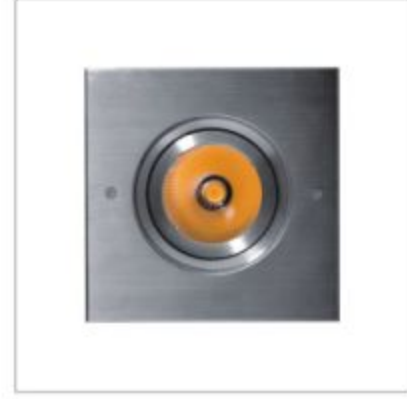









EXTERIOR INSPIRATION

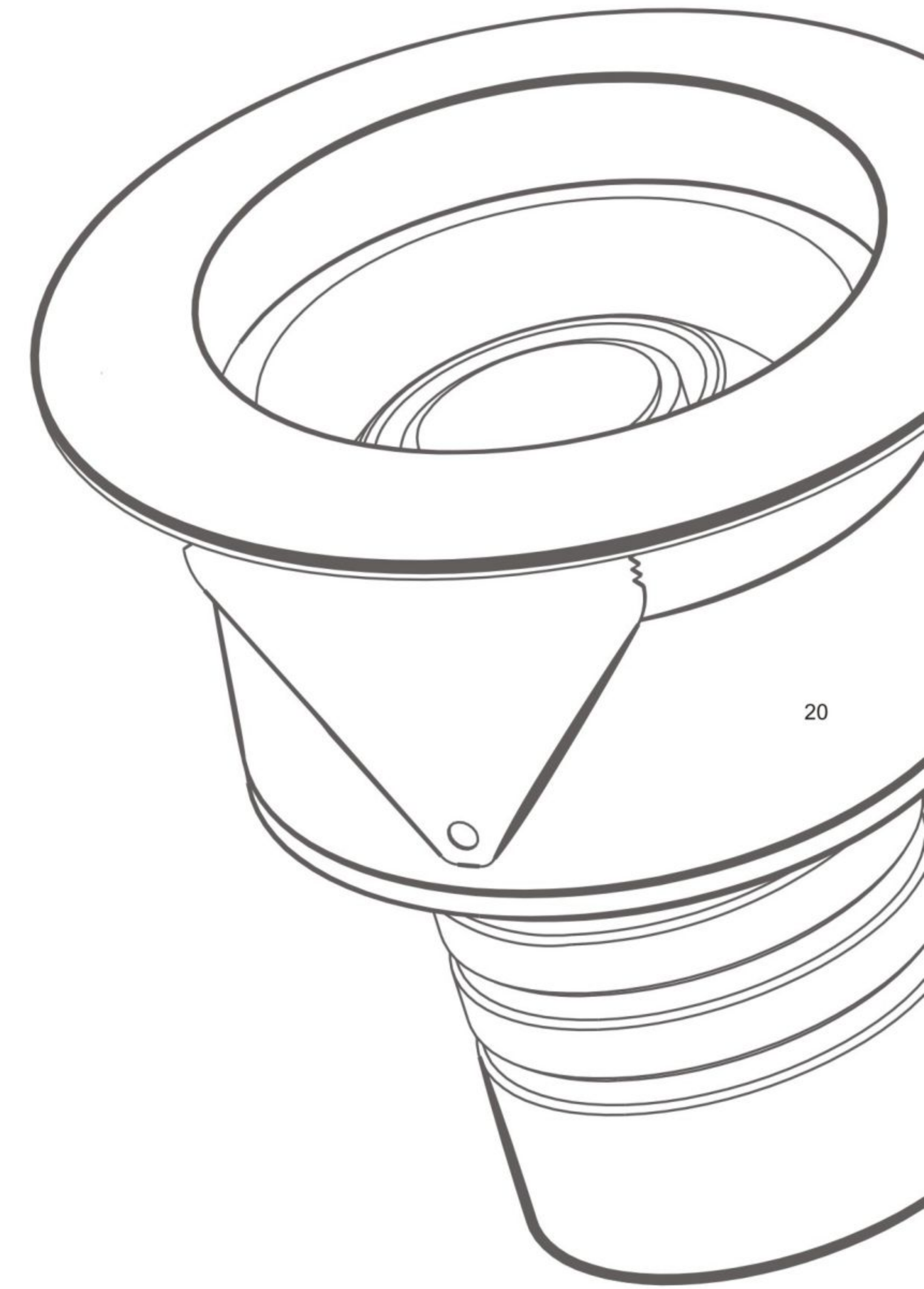
189-194	INGROUND	
197-244	GARDEN SPOT	
247-296	WALL	

ACCESSORIES

299-304	ELECTRICAL SYSTEM	
305-310	EXTERIOR ACCESSORIES	

INGROUND

			 NEW	 NEW	 NEW
CONVEX ROUND 25	CONVEX SQUARED 25	GEMINI NB 31	GT ASYMMETRIC 34	GT DC 34	GT FROST 34
					 NEW
MAX S 38	MAX M 39	MAX M 316 40	MICRO ROUND 22	MICRO SQUARED 23	RAINBOW S 46
 NEW	 NEW	 NEW	 NEW	 NEW	
RAINBOW M 46	RAINBOW L 46	RAINBOW S RGB 45	RAINBOW M RGB 45	RAINBOW L RGB 45	VEGA 2.0 SR 53
 +	 +				 +
VEGA 2.0 MR 54	VEGA 2.0 LR 55	VELA SS 61	VELA SS SQUARED 61	VELA SS ASYMMETRIC 61	VELA1.1 S 62
 +	 +				
VELA1.1 M 63	VELA1.1 M AD 63	VELA M NB 64	VELA ML 65	VELA ML SQUARED 65	VELA L 66
					
VELA L SQUARED 66	VELA L AD 66	VELA L AD SQUARED 66	VELA XL 67	VELA XL SQUARED 67	WADER R 72
					
WADER R RGB 73	WALKA IN S 77	WALKA IN M 77	WALKA IN L 77	WALKA ON S 76	WALKA ON M 76





MICRO

This miniature stainless steel luminaire could make miracles, creating additional enigmatic atmosphere to any landscape. Thanks to its tiny body, MICRO is easy to install in the places where space is limited. Frosted glass provides additional anti-glare effect. MICRO is the best choice for footpaths as a guiding light.

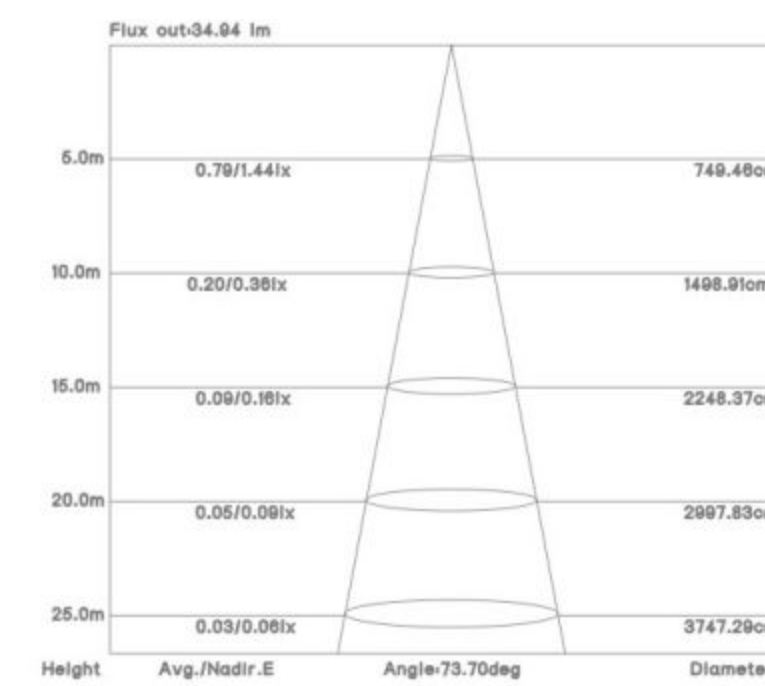
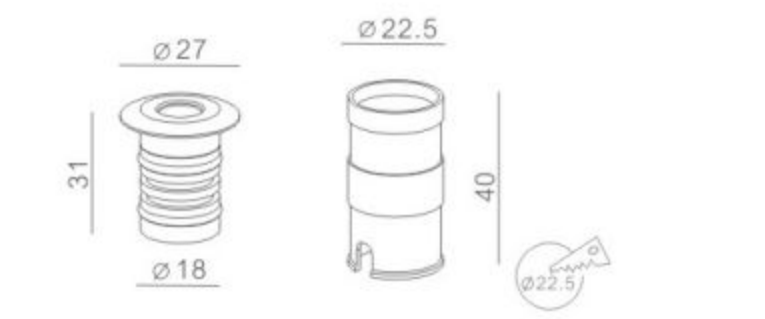
© CE IP67 3VDC 350mA



ROUND

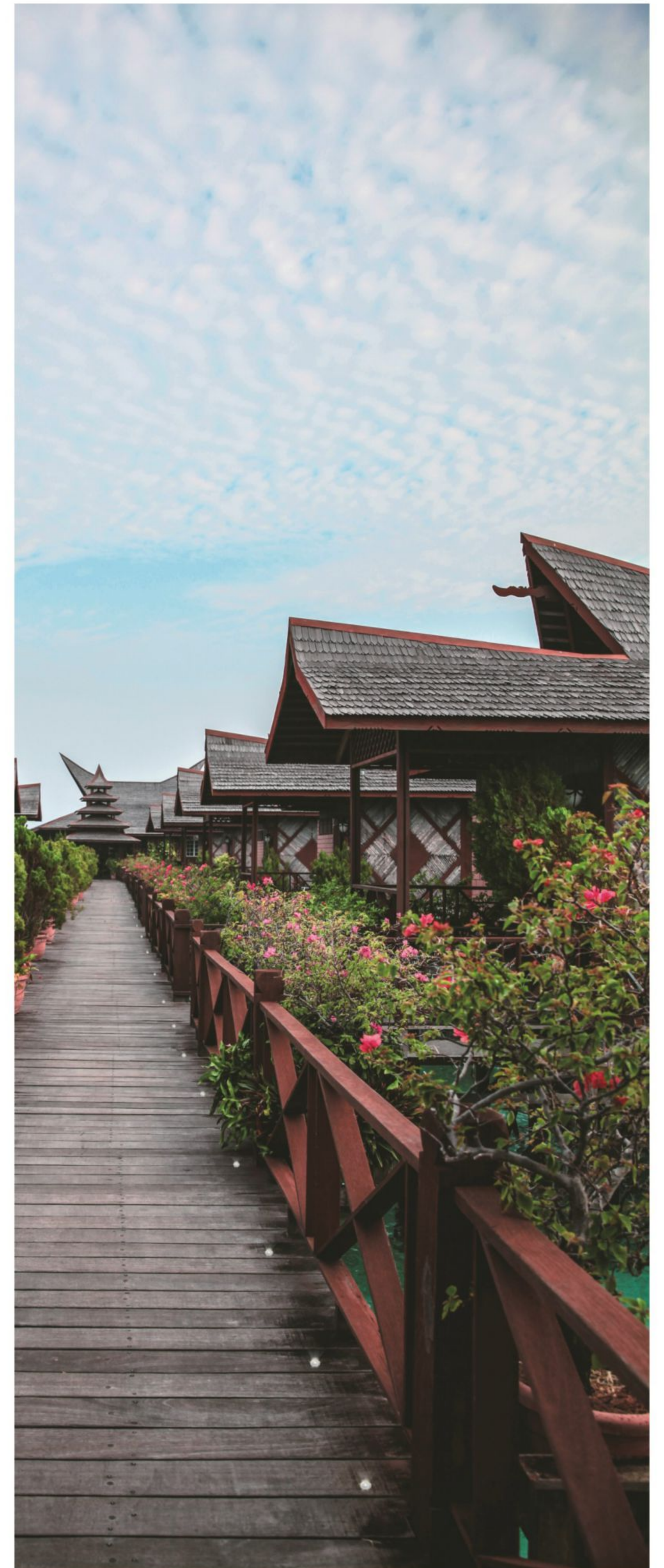
3VDC 350mA 626415

LED: OSRAM 3000K CRI 80
 POWER: 1*1W
 OPTIC: F
 OUTPUT: 55Lm
 CABLE/CLASS: VDE7656 2*24AWG
 DIMENSION: Ø27*31mm
 HOLE SIZE: Ø22.5mm



COLOR FINISHINGS:

SSS



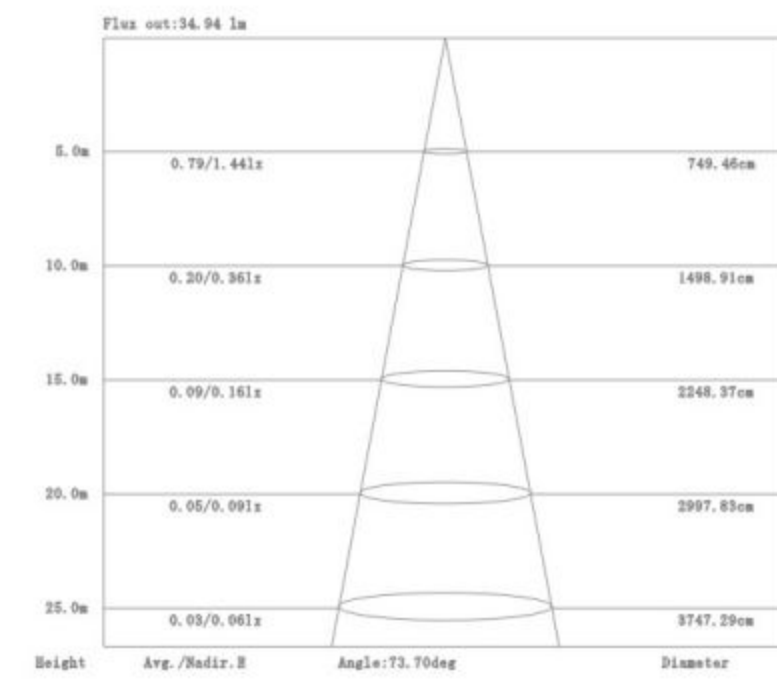
MICRO



SQUARED

3VDC 350mA 626515 

LED: OSRAM 3000K CRI 80
 POWER: 1*1W
 OPTIC: F
 OUTPUT: 55Lm
 CABLE/CLASS: VDE7656 2*24AWG
 DIMENSION: 27*27*31mm
 HOLE SIZE: Ø22.5mm



COLOR FINISHINGS:

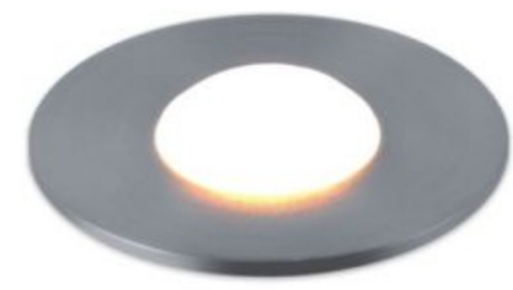
 SSS



CONVEX

Thanks to its special frosted lens with convex shape, this splendid small in ground luminaire produces perfect lighting patterns. Recommended as guiding light for paths and stairs. Round and square shape of frame is available.



ROUND DC

24VDC

645911 

LED: CREE (XBD) 3000K CRI 80
 POWER: 1*1W
 OPTIC: F
 OUTPUT: 43Lm
 CABLE/CLASS: H05RN-F 2*0.75mm²
 DIMENSION: Ø35*70mm
 HOLE SIZE: Ø60mm

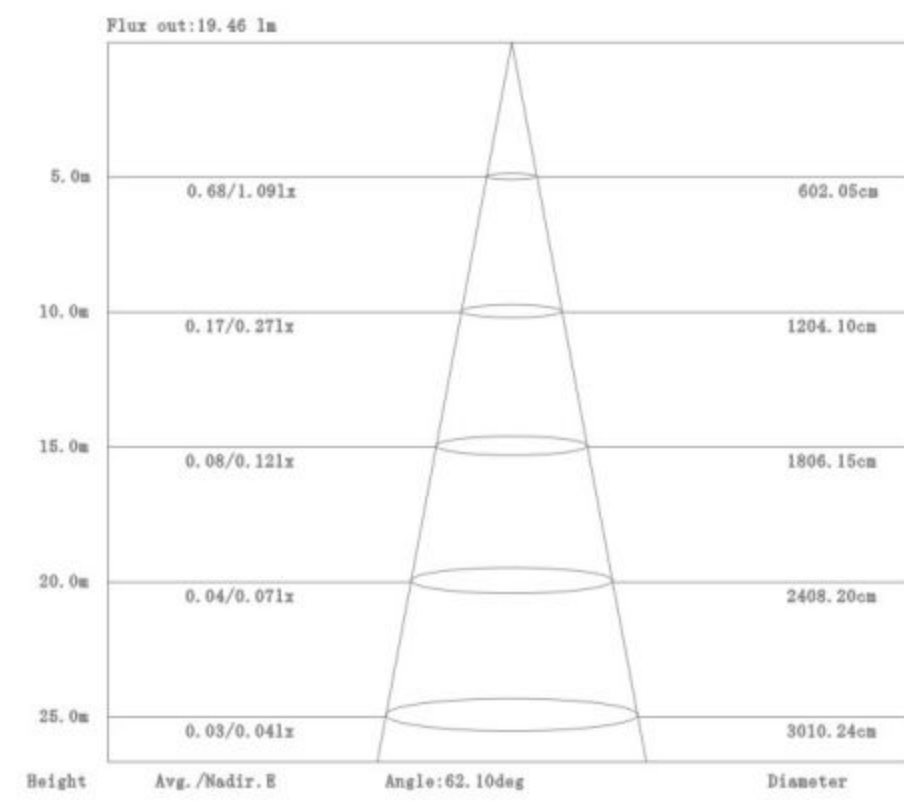
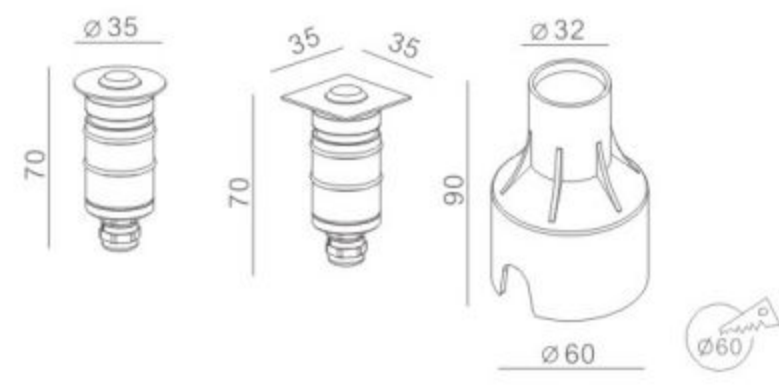


SQUARED DC

24VDC

646011 

LED: CREE (XBD) 3000K CRI 80
 POWER: 1*1W
 OPTIC: F
 OUTPUT: 43Lm
 CABLE/CLASS: H05RN-F 2*0.75mm²
 DIMENSION: 35*35*70mm
 HOLE SIZE: Ø60mm



COLOR FINISHINGS:

 SSS





GEMINI

This nice and simple stainless steel underwater luminaire is the best choice for fountains and swimming pools. GEMINI is available in 2 versions: 3W with extremely narrow beam angle 4 degree, and 7W with 40 degree beam angle.

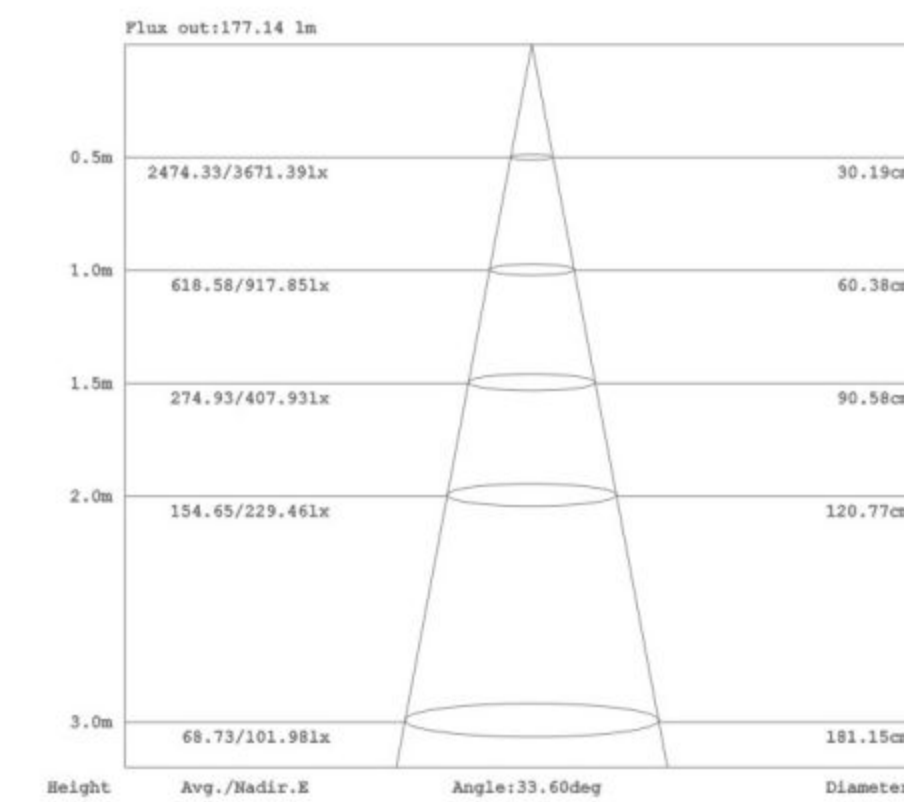
© CE IP68 24VDC



DC

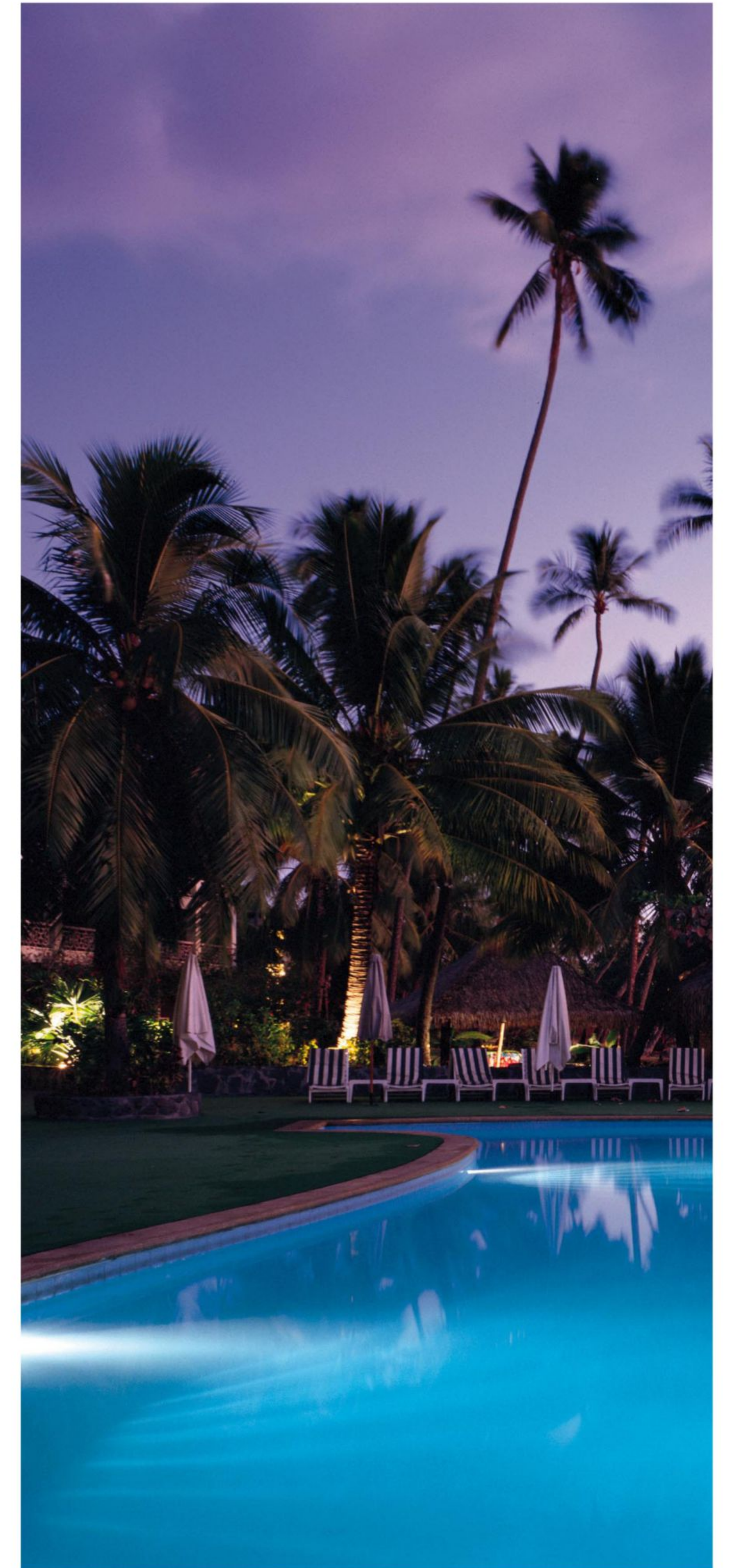
24VDC 907212

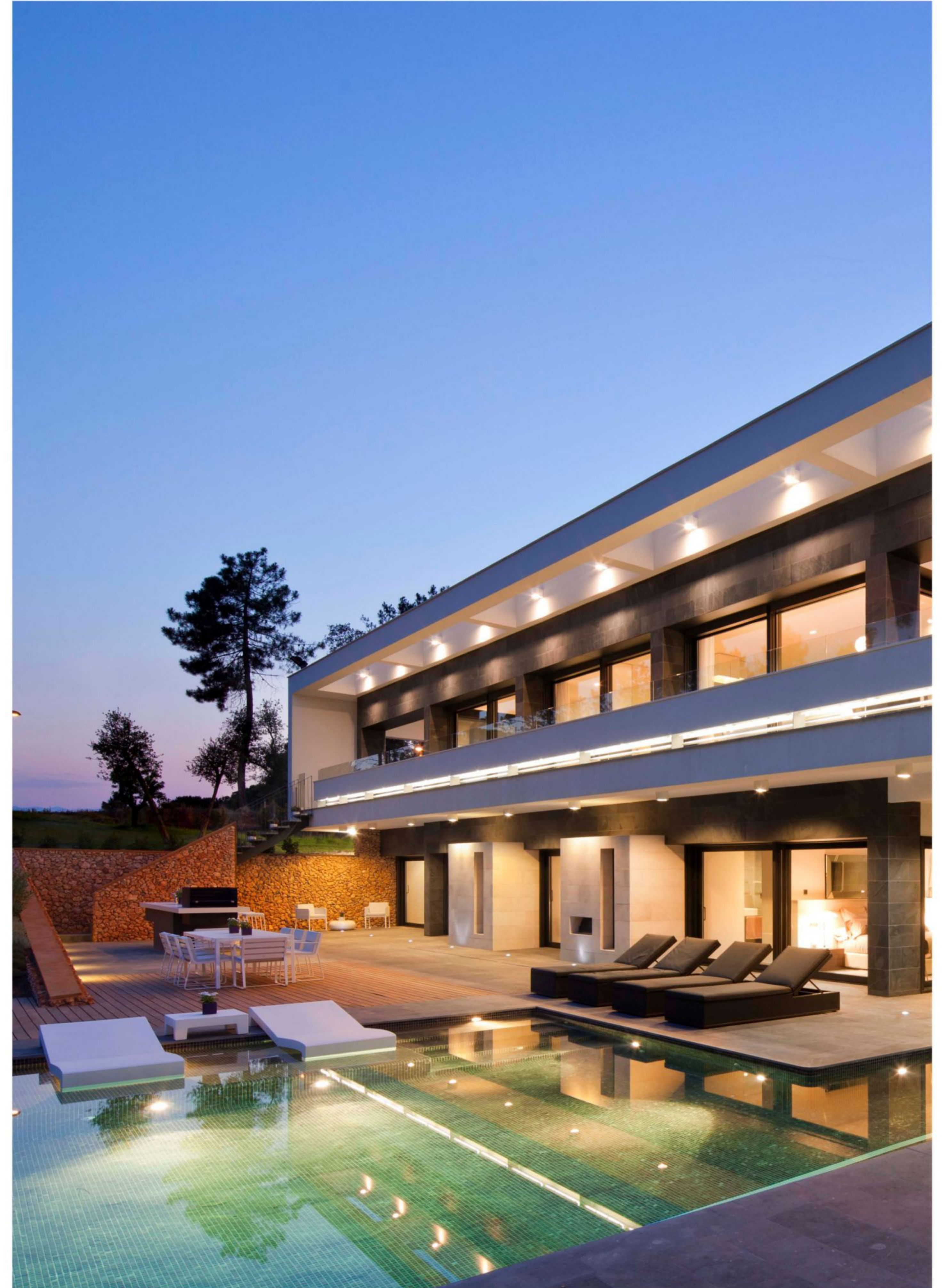
LED: BRIDGELUX 0540 3000K CRI 80
 POWER: 7.2W
 OPTIC: 40°
 OUTPUT: 400Lm
 CABLE/CLASS: H05RN-F 2*1.00mm²
 DIMENSION: Ø75*92mm
 HOLE SIZE: Ø90mm



COLOR FINISHINGS:

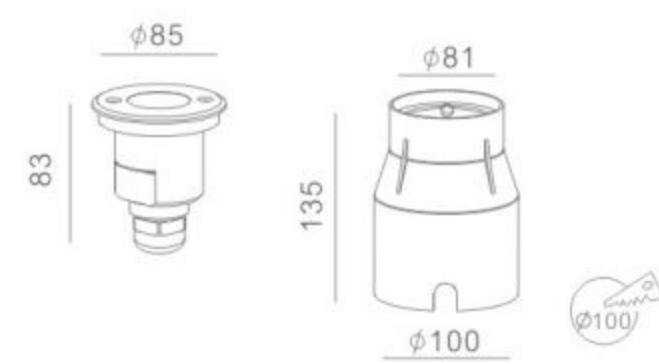
■ SSS







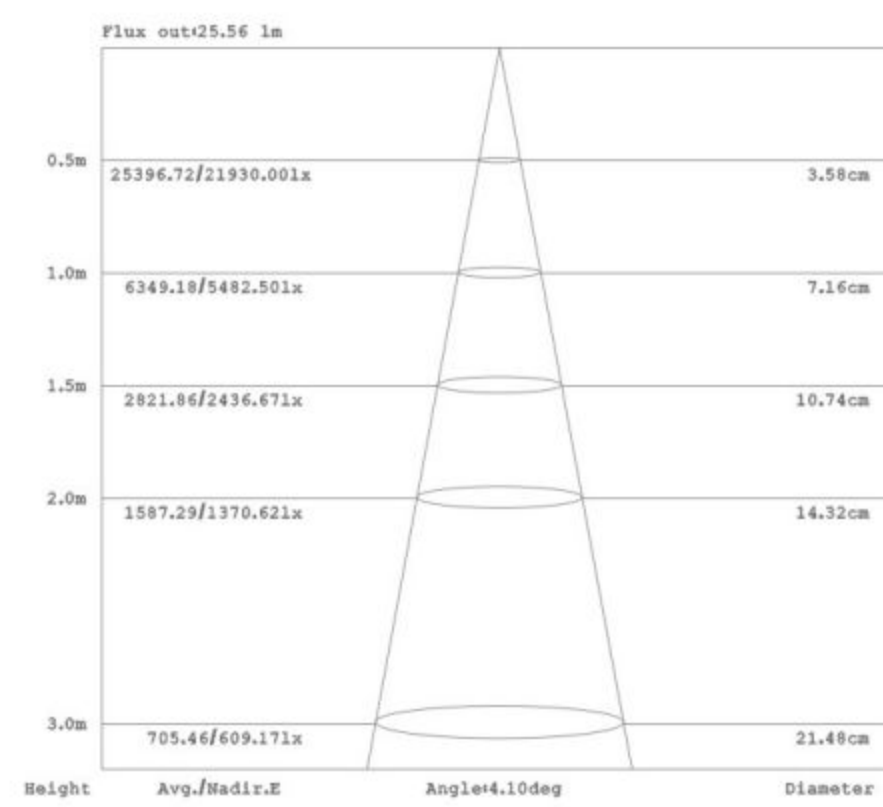
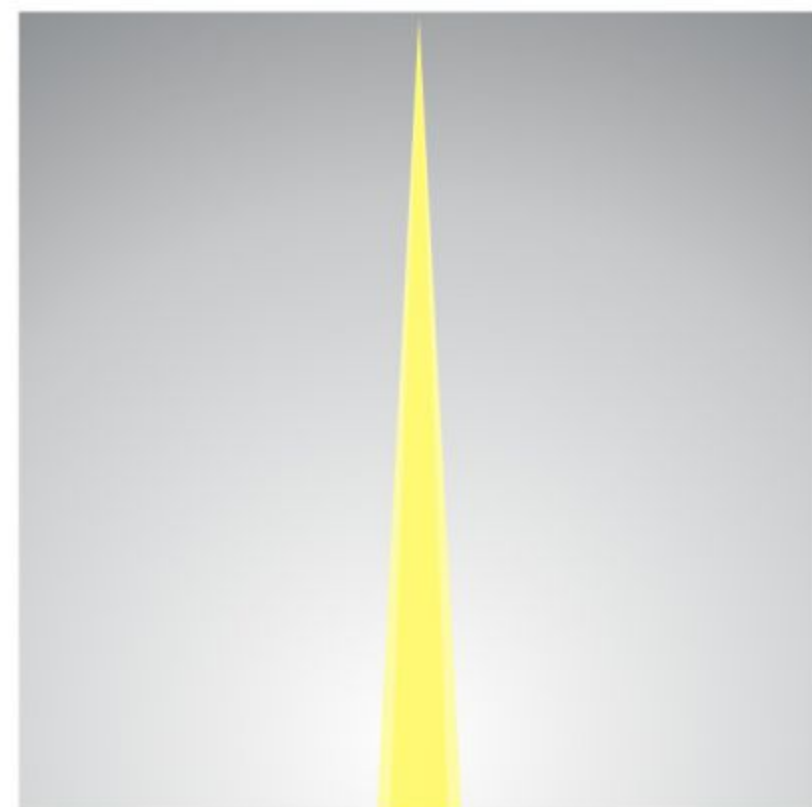
NB



24VDC 913517

LED: OSRAM 3000K CRI 80
 POWER: 2.4W
 OPTIC: 4°
 OUTPUT: 115Lm
 CABLE/CLASS: H05RN-F 2*0.75mm²
 DIMENSION: Ø85*83mm
 HOLE SIZE: Ø100mm

ANGLE 4°



COLOR FINISHINGS:



GT

This miniature in ground fitting is the best example of functionality and style. 3 different selections are available for choice: standard, asymmetric, and frosted type. Thanks to its slim body, GT can be installed in the places with limited space.

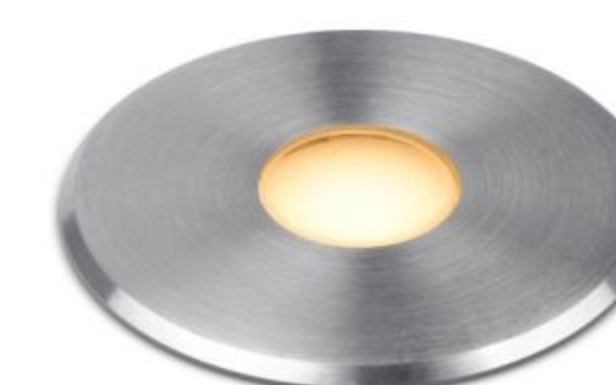
CCC CE IP67 3VDC 700mA



DC



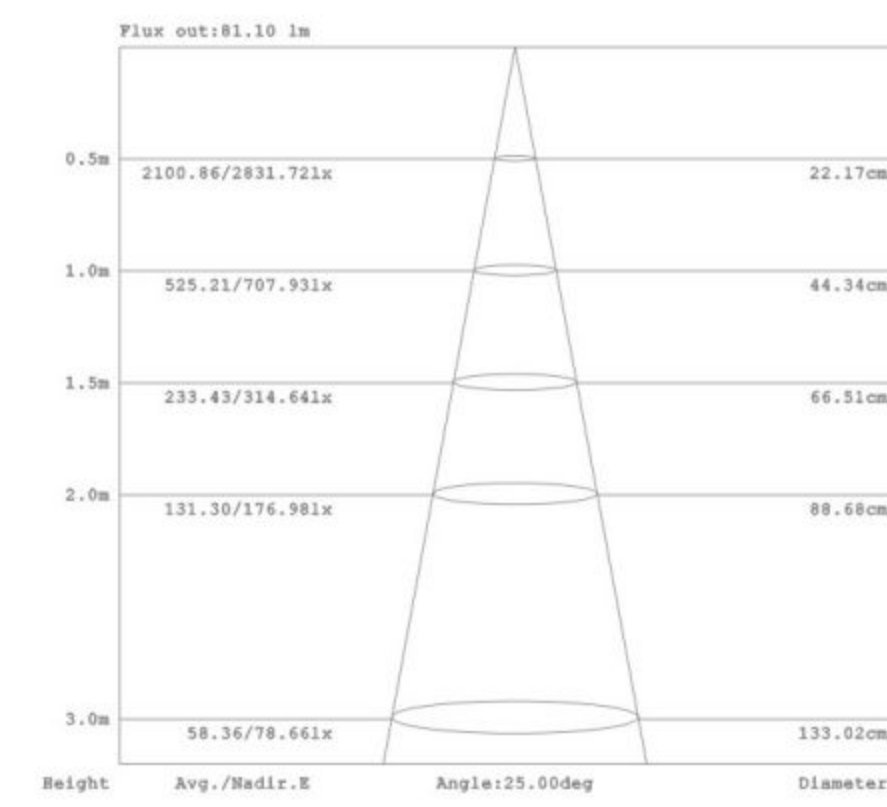
ASYMMETRIC DC



FROST DC

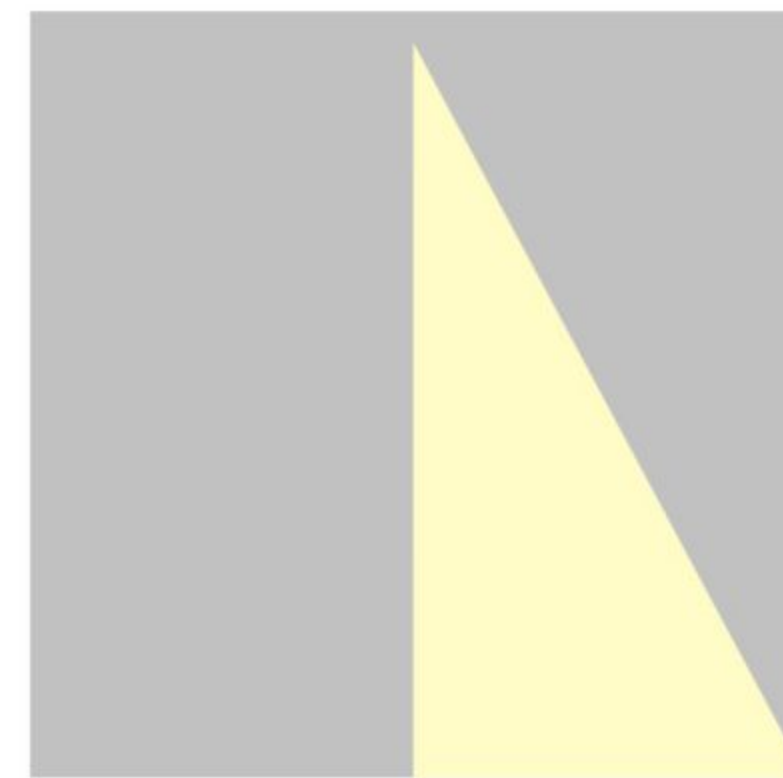
GT DC

3VDC 700mA 658011 
 LED: CREE 3000K CRI 80
 POWER: 2.5W
 OPTIC: 25°
 OUTPUT: 148Lm
 CABLE/CLASS: VDE3289 2*24AWG
 DIMENSION: Ø65*26.5mm
 HOLE SIZE: Ø52mm



GT ASYMMETRIC DC

3VDC 700mA 657911 
 LED: CREE 3000K CRI 80
 POWER: 2.5W
 OPTIC: P
 OUTPUT: 130Lm
 CABLE/CLASS: VDE3289 2*24AWG
 DIMENSION: Ø65*26.5mm
 HOLE SIZE: Ø52mm



GT FROST DC

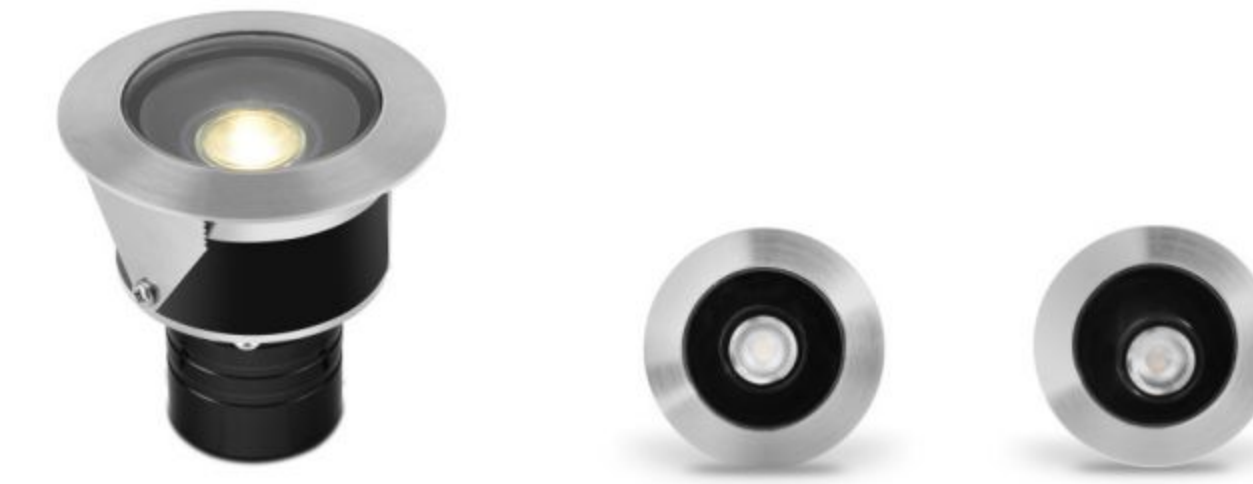
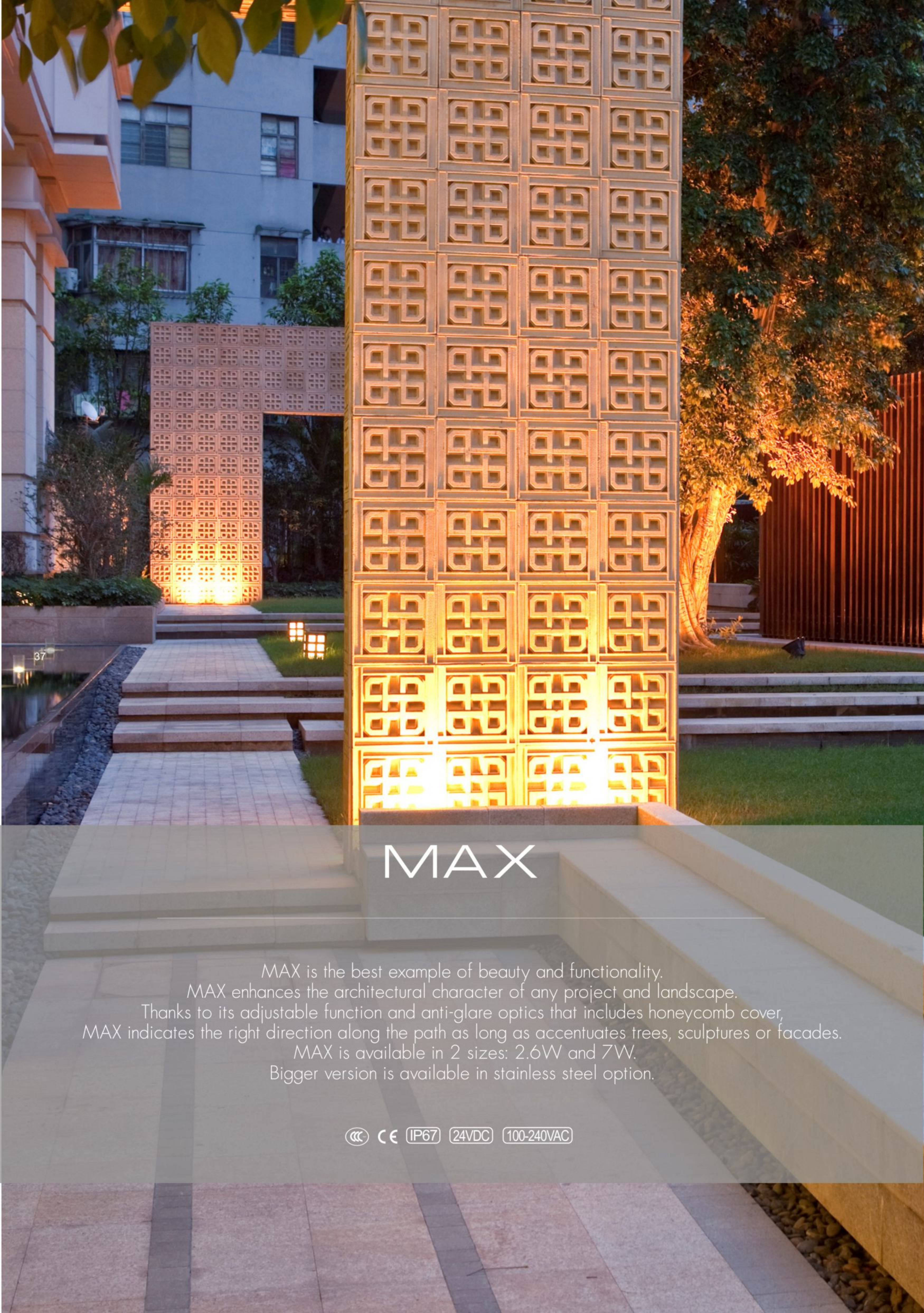
3VDC 700mA 658111 
 LED: CREE 3000K CRI 80
 POWER: 2.5W
 OPTIC: F
 OUTPUT: 19Lm
 CABLE/CLASS: VDE3289 2*24AWG
 DIMENSION: Ø65*26.5mm
 HOLE SIZE: Ø52mm



COLOR FINISHINGS:

 SSS





S DC / S

MAX

MAX is the best example of beauty and functionality.
 MAX enhances the architectural character of any project and landscape.
 Thanks to its adjustable function and anti-glare optics that includes honeycomb cover,
 MAX indicates the right direction along the path as long as accentuates trees, sculptures or facades.
 MAX is available in 2 sizes: 2.6W and 7W.
 Bigger version is available in stainless steel option.

© CE IP67 24VDC 100-240VAC

24VDC

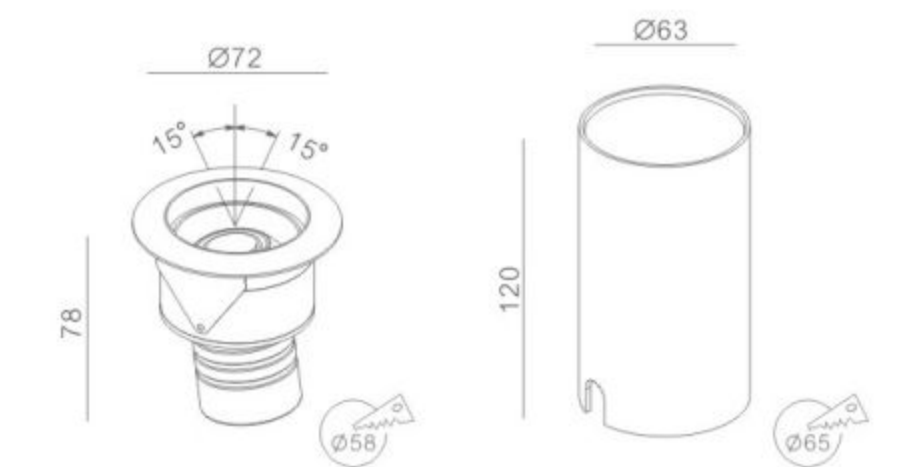
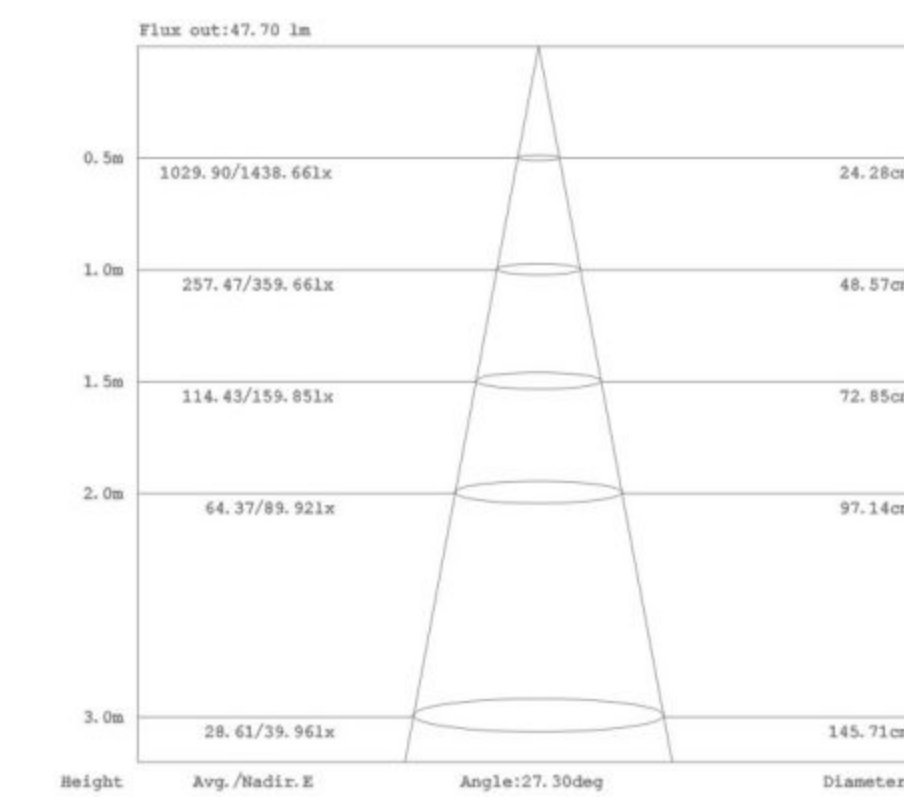
656517

LED: OSRAM 3000K CRI 80
 POWER: 2.4W
 OPTIC: 15°
 OUTPUT: 119Lm
 CABLE/CLASS: H05RN-F 2*0.75mm²
 DIMENSION: Ø72*78mm
 HOLE SIZE: Ø58mm/Ø65mm

100-240VAC

656617

LED: OSRAM 3000K CRI 80
 POWER: 2.6W
 OPTIC: 15°
 OUTPUT: 119Lm
 CABLE/CLASS: H05RN-F 3*0.75mm²
 DIMENSION: Ø72*78mm
 HOLE SIZE: Ø58mm/Ø65mm

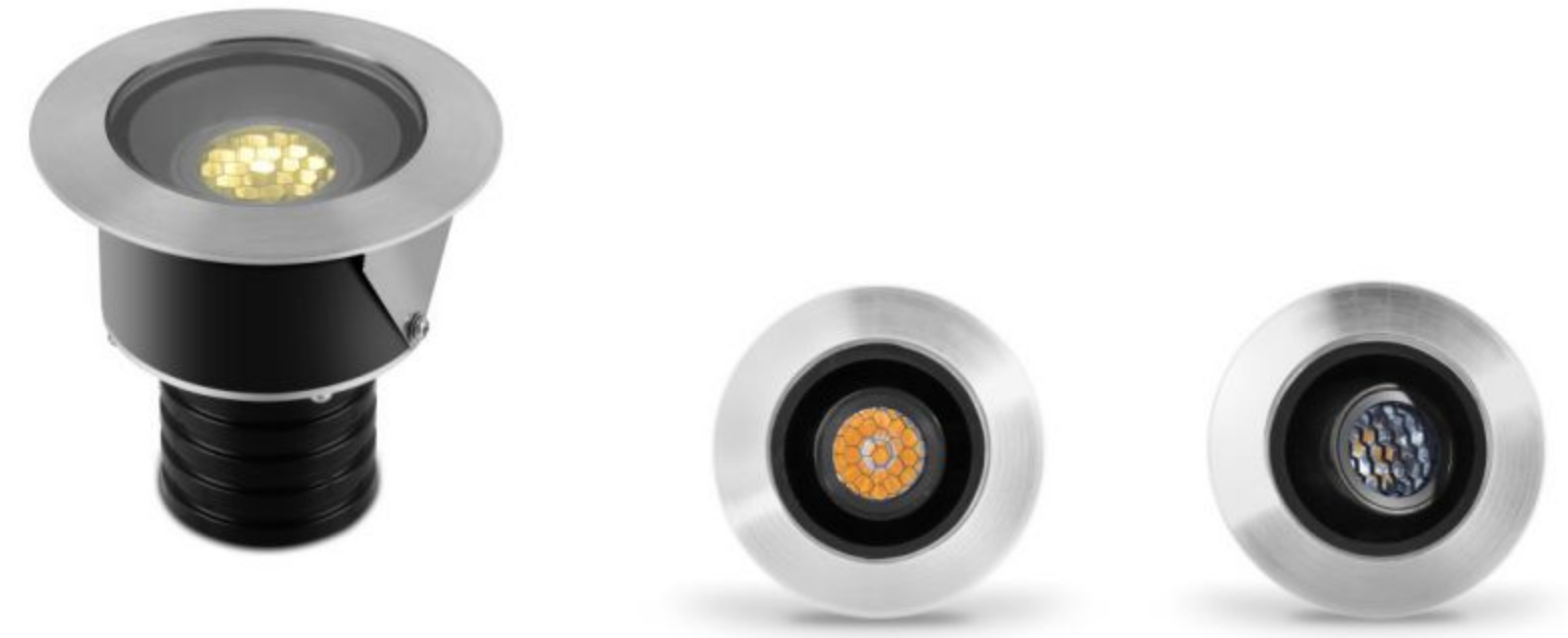


OPTICS:



COLOR FINISHINGS:





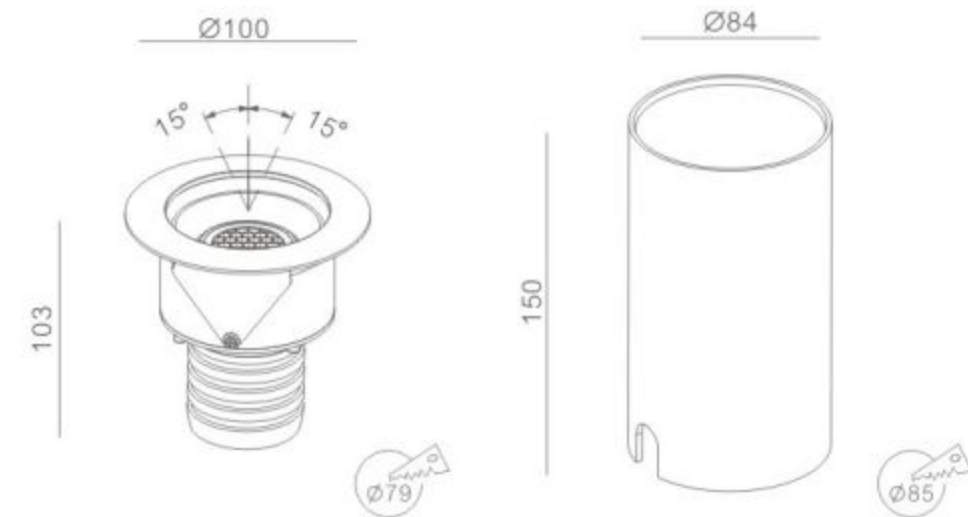
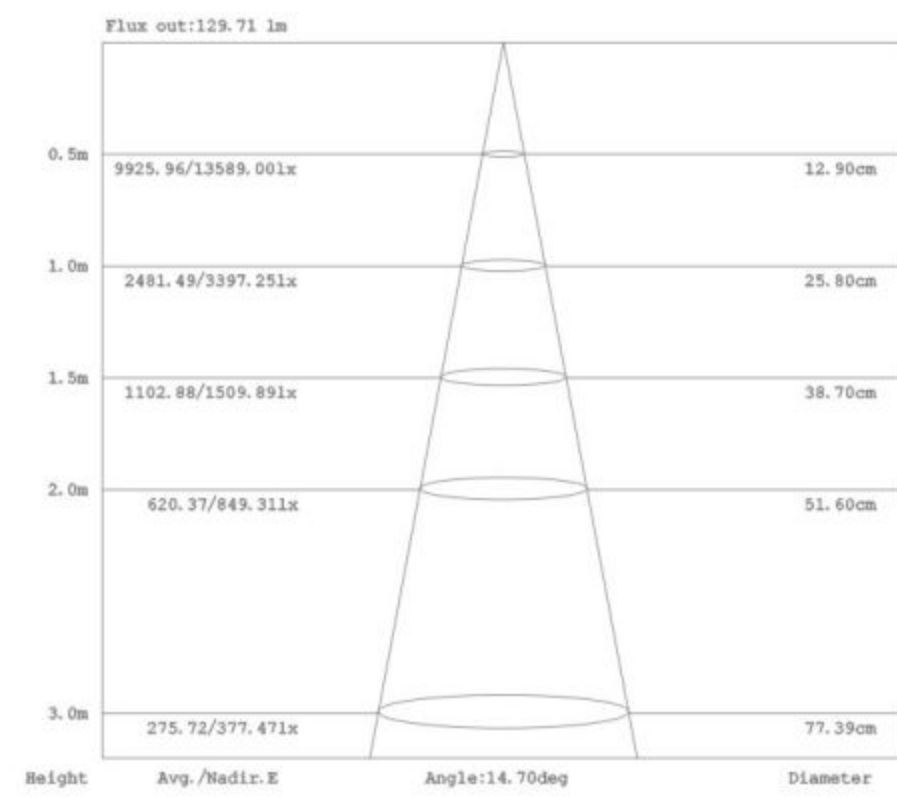
M




M 316 DC

100-240VAC 605815 

LED: LUMINUS 3000K CRI 80
 POWER: 7W
 OPTIC: 15°
 OUTPUT: 332Lm
 CABLE/CLASS: H05RN-F 3*0.75mm²
 DIMENSION: Ø100*103mm
 HOLE SIZE: Ø79mm/Ø85mm



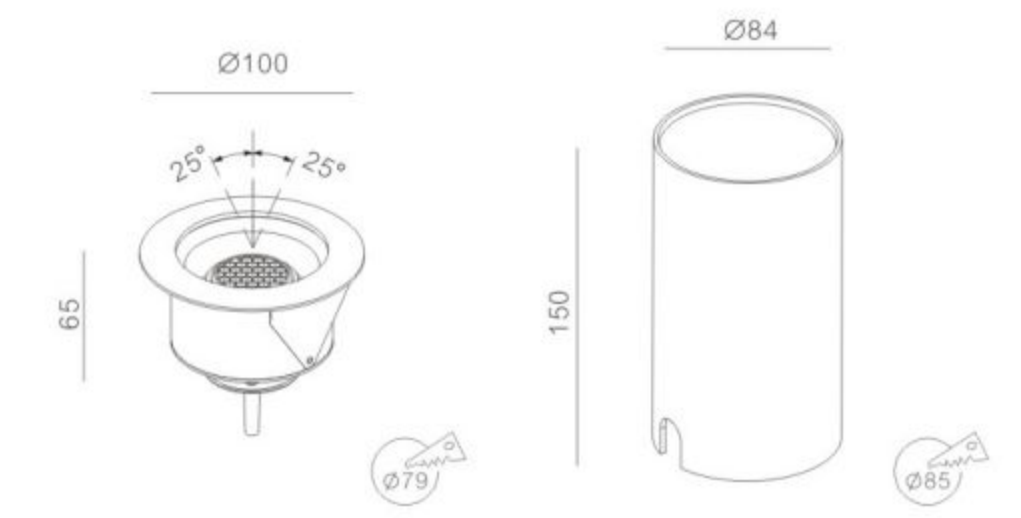
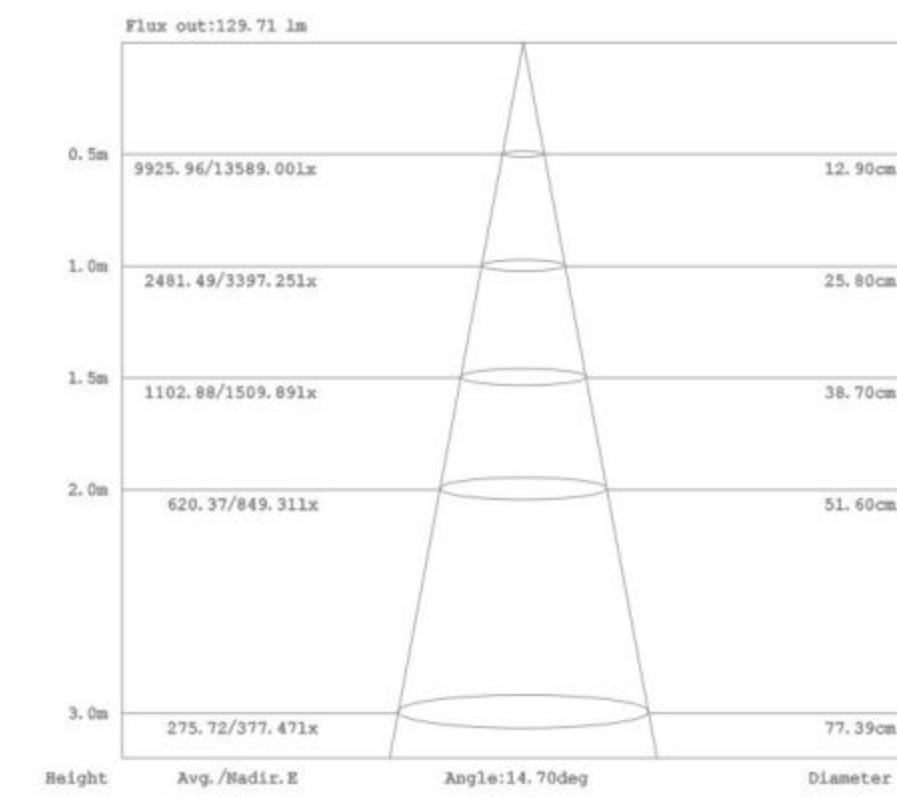
OPTICS:



COLOR FINISHINGS:

 SSS

24VDC 605501 

LED: CREE 3000K CRI 80
 POWER: 6W
 OPTIC: 15°
 OUTPUT: 420Lm
 CABLE/CLASS: H05RN-F 2*0.75mm²
 DIMENSION: Ø100*65mm
 HOLE SIZE: Ø79mm/Ø85mm



OPTICS:


COLOR FINISHINGS:

 SSS



RAINBOW

Inground range RAINBOW is a great example of functionality and elegance.
Thanks to IP67 rate RAINBOW can be used outdoor.
3 sizes are available for choice. Due to RGB function, RAINBOW provides
perfect lighting patterns for any environment.



© CE IP67 24VDC



RAINBOW

EXTERIOR INGROUND



35.5mm

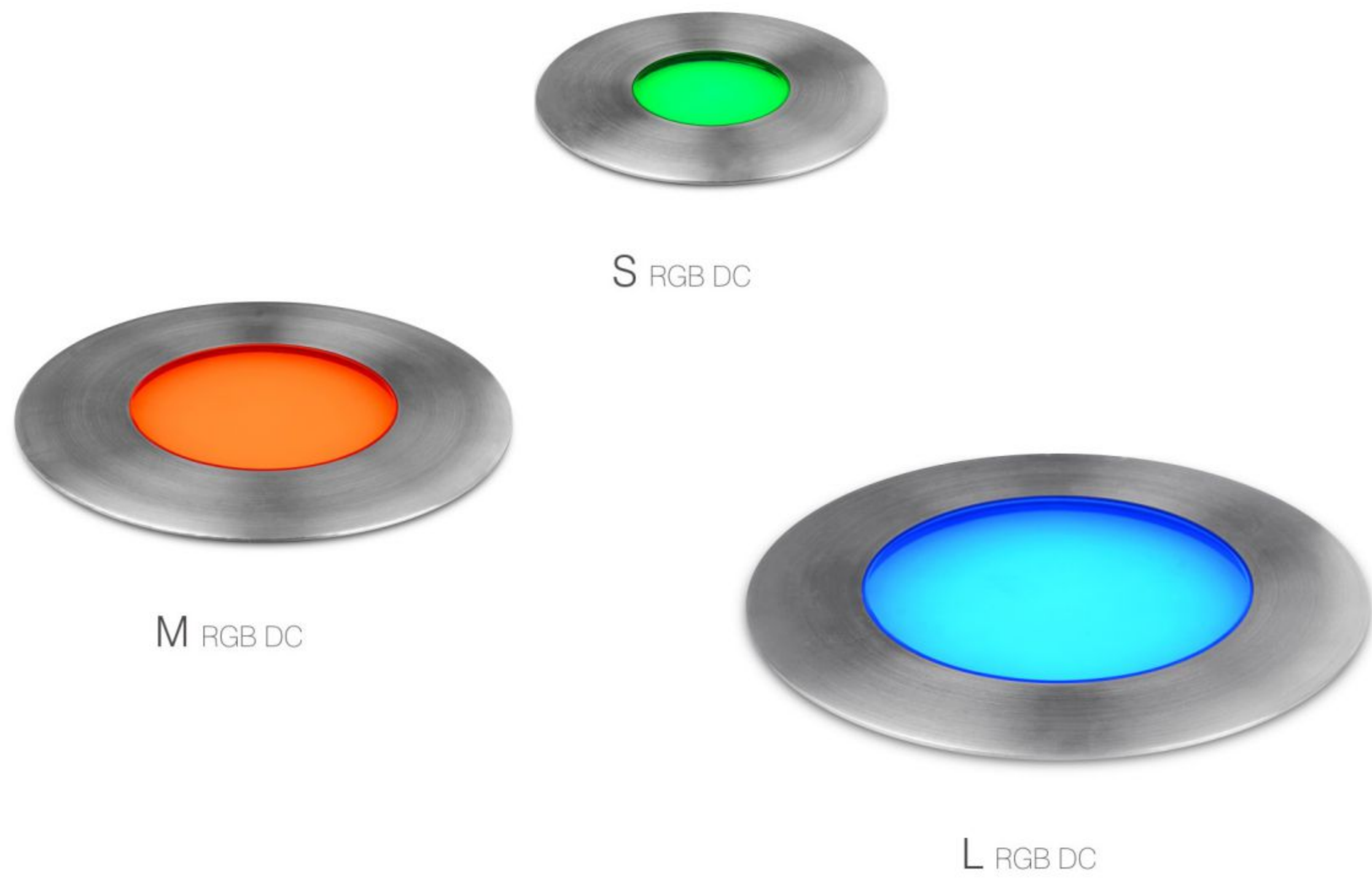


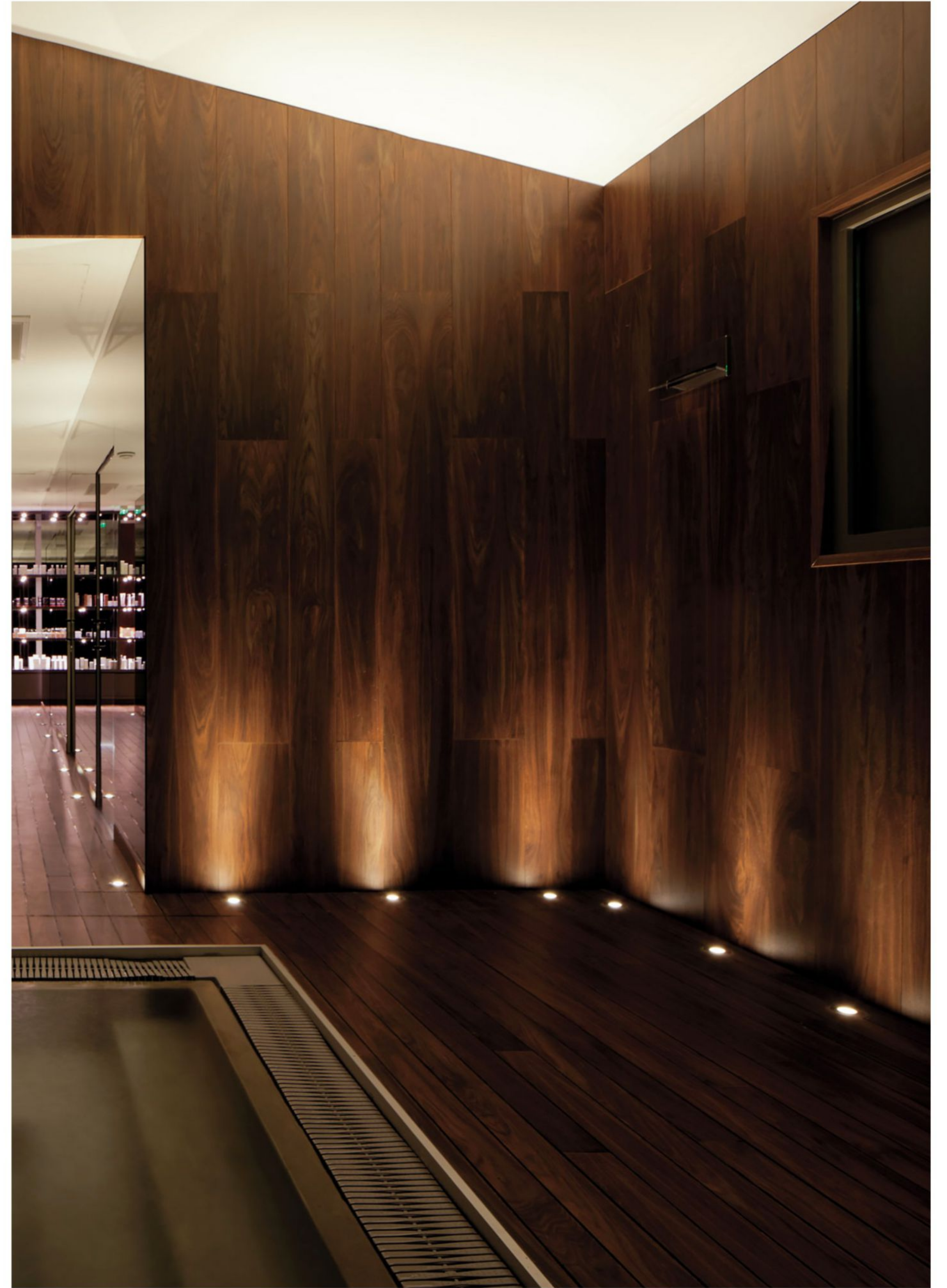
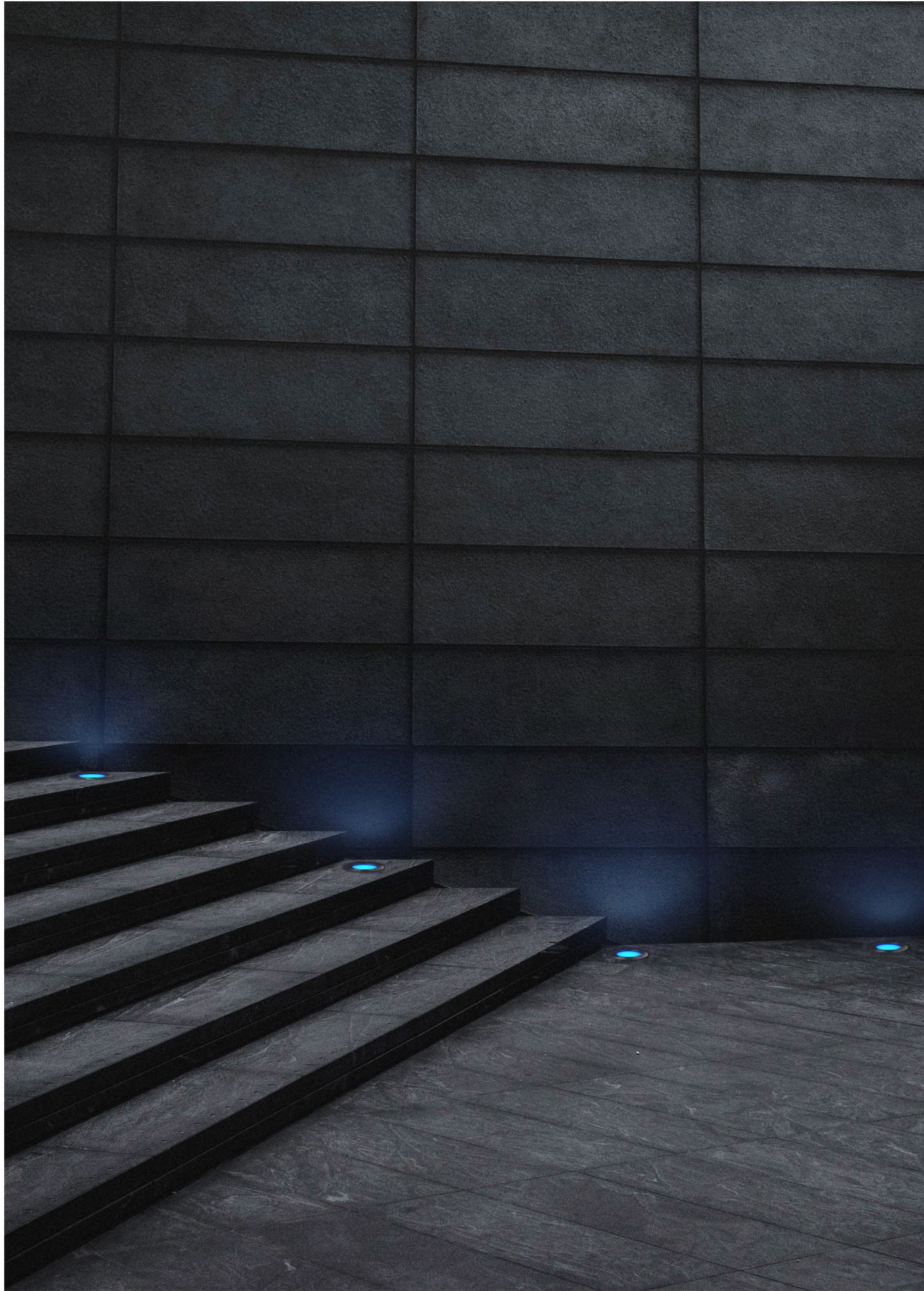
35mm

COLOR FINISHINGS:



SSS

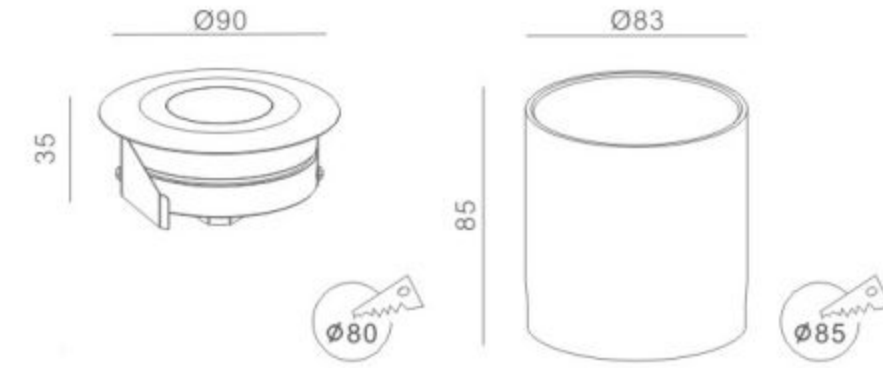






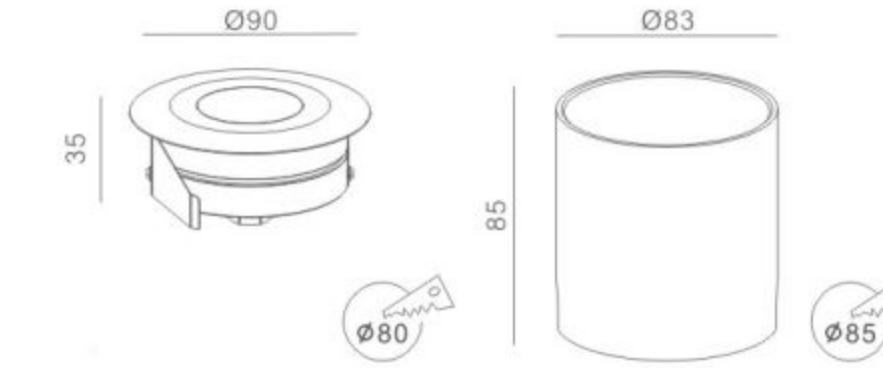
24VDC 658214

LED: EDISON RGB 3IN1
 POWER: 2.6W
 OPTIC: F
 OUTPUT: 17Lm
 CABLE/CLASS: H05RN-F 4*0.75mm²
 DIMENSION: Ø90*35mm
 HOLE SIZE: Ø80mm/Ø85mm



24VDC 662714

LED: EDISON 3000K CRI 80
 POWER: 3.4W
 OPTIC: L
 OUTPUT: 78Lm
 CABLE/CLASS: H05RN-F 2*0.75mm²
 DIMENSION: Ø90*35mm
 HOLE SIZE: Ø80mm/Ø85mm



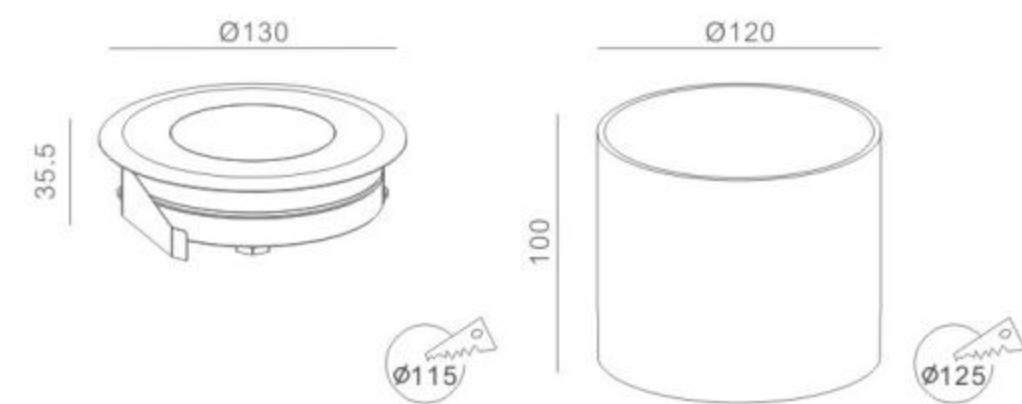
100-240VAC 662814A

LED: EDISON 3000K CRI 80
 POWER: 3W
 OPTIC: L
 OUTPUT: 80Lm
 CABLE/CLASS: H05RN-F 3*0.75mm²
 DIMENSION: Ø90*35mm
 HOLE SIZE: Ø80mm/Ø85mm



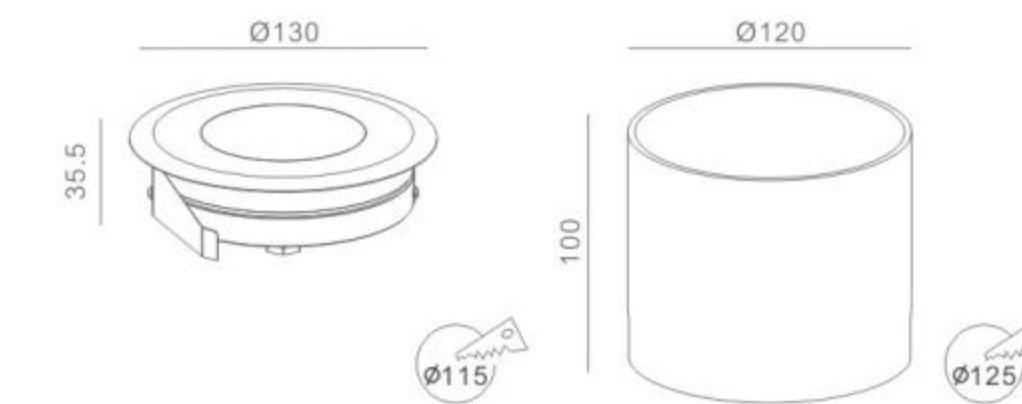
24VDC 658314

LED: EDISON RGB 3IN1
 POWER: 7.3W
 OPTIC: F
 OUTPUT: 34Lm
 CABLE/CLASS: H05RN-F 4*0.75mm²
 DIMENSION: Ø130*35.5mm
 HOLE SIZE: Ø115mm/Ø125mm



24VDC 662914

LED: EDISON 3000K CRI 80
 POWER: 6.5W
 OPTIC: L
 OUTPUT: 249Lm
 CABLE/CLASS: H05RN-F 2*0.75mm²
 DIMENSION: Ø130*35.5mm
 HOLE SIZE: Ø115mm/Ø125mm



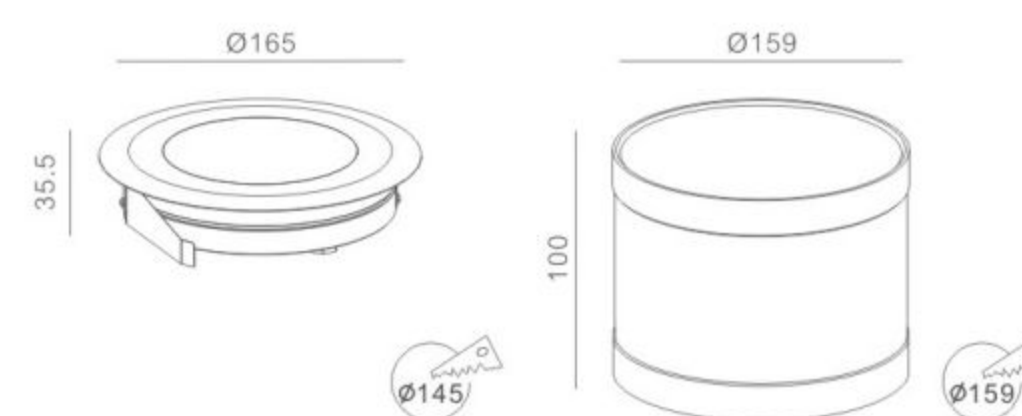
100-240VAC 663014A

LED: EDISON 3000K CRI 80
 POWER: 6W
 OPTIC: L
 OUTPUT: 255Lm
 CABLE/CLASS: H05RN-F 3*0.75mm²
 DIMENSION: Ø130*35.5mm
 HOLE SIZE: Ø115mm/Ø125mm



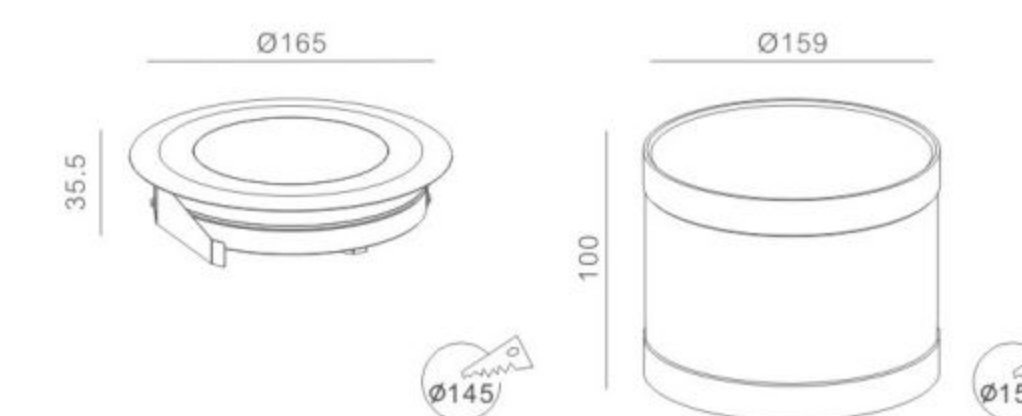
24VDC 658414

LED: EDISON RGB 3IN1
 POWER: 10.1W
 OPTIC: F
 OUTPUT: 122Lm
 CABLE/CLASS: H05RN-F 4*0.75mm²
 DIMENSION: Ø165*35.5mm
 HOLE SIZE: Ø145mm/Ø159mm



24VDC 663114

LED: EDISON 3000K CRI 80
 POWER: 10.5W
 OPTIC: L
 OUTPUT: 467Lm
 CABLE/CLASS: H05RN-F 2*0.75mm²
 DIMENSION: Ø165*35.5mm
 HOLE SIZE: Ø145mm/Ø159mm



100-240VAC 663214A

LED: EDISON 3000K CRI 80
 POWER: 10.5W
 OPTIC: L
 OUTPUT: 536Lm
 CABLE/CLASS: H05RN-F 3*0.75mm²
 DIMENSION: Ø165*35.5mm
 HOLE SIZE: Ø145mm/Ø159mm



VEGA 2.0

In-ground luminaires with brand new structure design to have independent integrated driver on the bottom of fitting body.

You can replace the driver easily by yourself.

Thermal management is much lower with this new structure design, which lengthen the lifespan of the luminaires as well.

© CE IP67 24VDC 100-240VAC

VEGA 2.0

SR DC/SR



PAGE 53

MR DC/MR



PAGE 54

LR DC/LR



PAGE 55



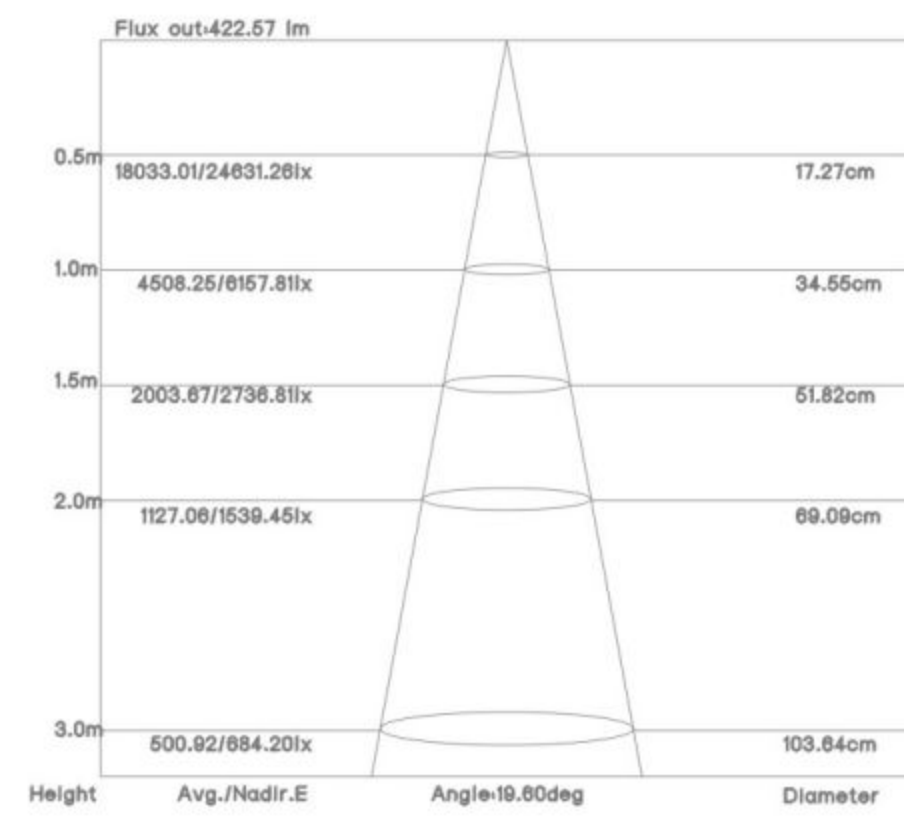
SR DC / SR



MR DC / MR

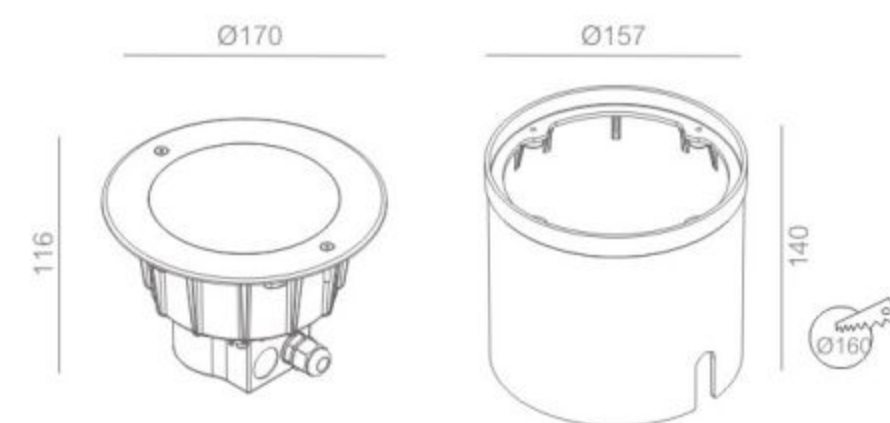
24VDC 661215

LED: LUMINUS 3000K CRI 80
 POWER: 12.3W
 OPTIC: 20°
 OUTPUT: 1425Lm
 CABLE/CLASS: H05RN-F 2*0.75mm²
 DIMENSION: Ø170*116mm
 HOLE SIZE: Ø160mm



100-240VAC 661115A

LED: LUMINUS 3000K CRI 80
 POWER: 13.6W
 OPTIC: 20°
 OUTPUT: 1434Lm
 CABLE/CLASS: H05RN-F 3*0.75mm²
 DIMENSION: Ø170*116mm
 HOLE SIZE: Ø160mm

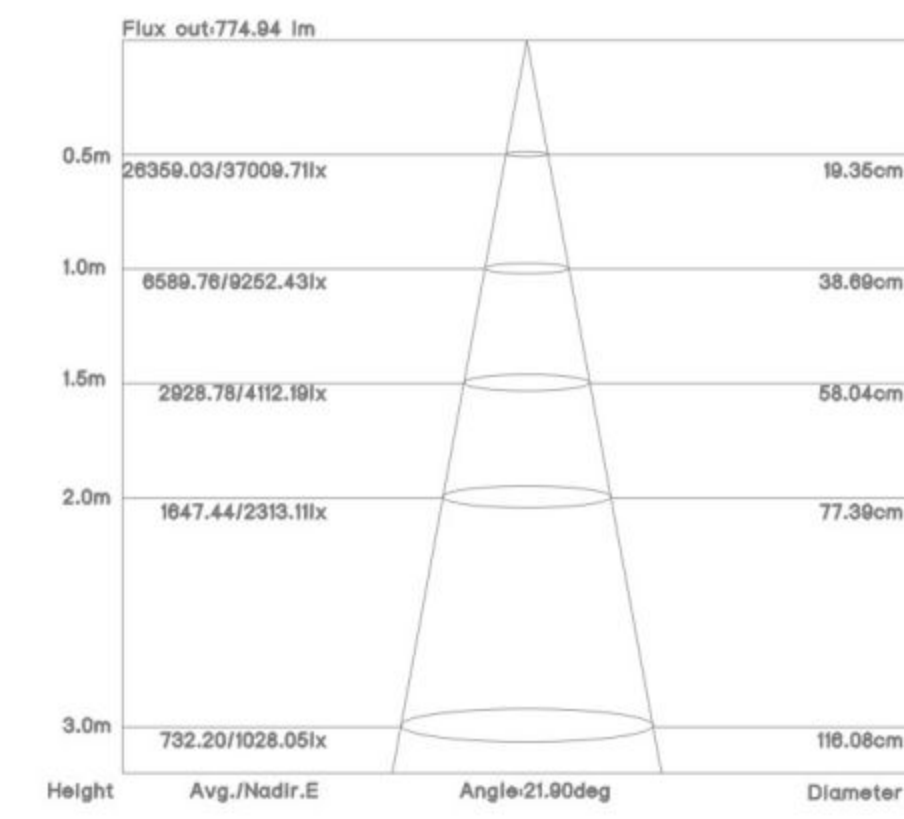


COLOR FINISHINGS:

SSS

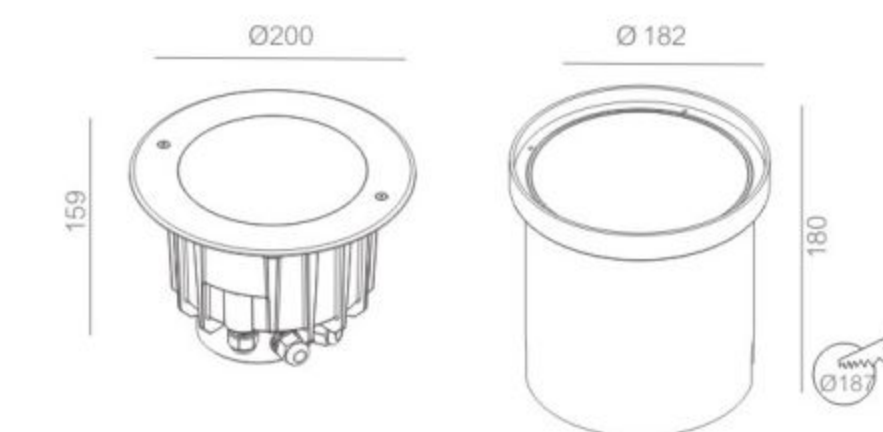
24VDC 661015

LED: LUMINUS 3000K CRI 80
 POWER: 21.3W
 OPTIC: 22°
 OUTPUT: 2577Lm
 CABLE/CLASS: H05RN-F 2*0.75mm²
 DIMENSION: Ø200*159mm
 HOLE SIZE: Ø187mm



100-240VAC 660915A

LED: LUMINUS 3000K CRI 80
 POWER: 24.5W
 OPTIC: 22°
 OUTPUT: 2723Lm
 CABLE/CLASS: H05RN-F 3*0.75mm²
 DIMENSION: Ø200*159mm
 HOLE SIZE: Ø187mm



COLOR FINISHINGS:

SSS

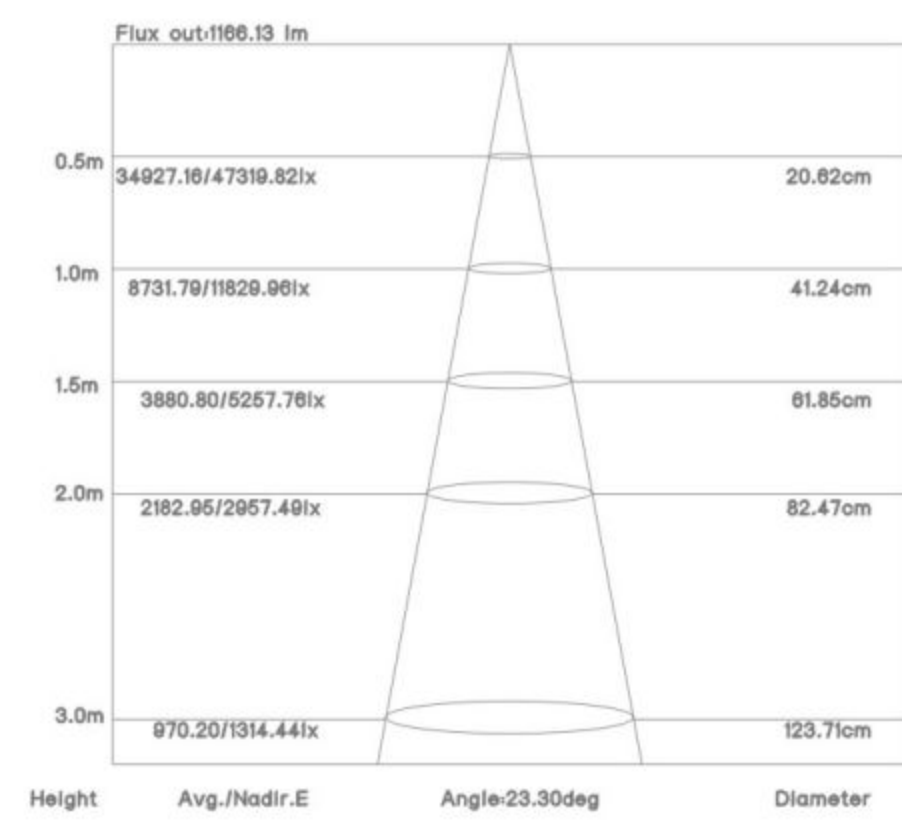


LR DC / LR

24VDC



LED: LUMINUS 3000K CRI 80
 POWER: 32.9W
 OPTIC: 23°
 OUTPUT: 3595Lm
 CABLE/CLASS: H05RN-F 2*0.75mm²
 DIMENSION: Ø240*216mm
 HOLE SIZE: Ø225mm



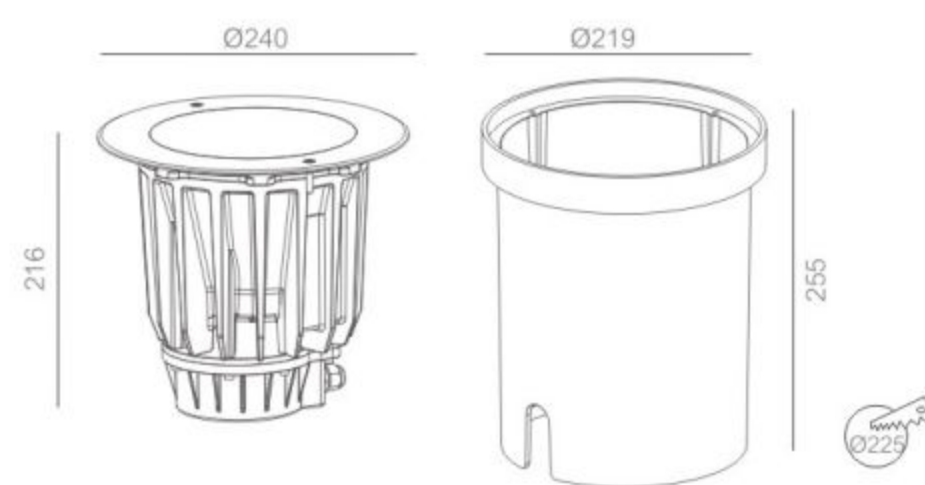
COLOR FINISHINGS:

SSS

100-240VAC



LED: LUMINUS 3000K CRI 80
 POWER: 34W
 OPTIC: 23°
 OUTPUT: 3733Lm
 CABLE/CLASS: H05RN-F 3*0.75mm²
 DIMENSION: Ø240*216mm
 HOLE SIZE: Ø225mm







VELA

VELA stands for a complete range of water and shock resistant lighting fixtures.

Thanks to the use of powerful led arrays, these floor recessed fixtures deliver an intense light effect.

Various of sizes and functionalities has made VELA one of most popular range of FLUA outdoor collection. VELA can answer almost all projects' requirements.

From tiniest member which is just 2.4W up to 23.9W, all versions have round and square outer frame for choice, VELA M and VELA L are available with adjustable function.

To complete the range, smaller series could be chosen with asymmetric lens or RGB / RGBW.

© CE IP67 24VDC 100-240VAC

VELA SS		PAGE 61
VELA 1.1 S		PAGE 62
VELA 1.1 M/M AD		PAGE 63
VELA M NB		PAGE 64
VELA ML		PAGE 65
VELA L/L AD		PAGE 66
VELA XL		PAGE 67



SS DC / SS



SS ASYMMETRIC DC / SS ASYMMETRIC



SS SQUARED DC / SS SQUARED



S DC / S

24VDC 654117 654317

LED: OSRAM 3000K CRI 80
 POWER: 2.4W
 OPTIC: 12°
 OUTPUT: 125Lm
 CABLE/CLASS: H05RN-F 2*0.75mm²
 DIMENSION: Ø55*70mm
 55*55*70mm
 HOLE SIZE: Ø45mm/Ø70mm

24VDC 654517

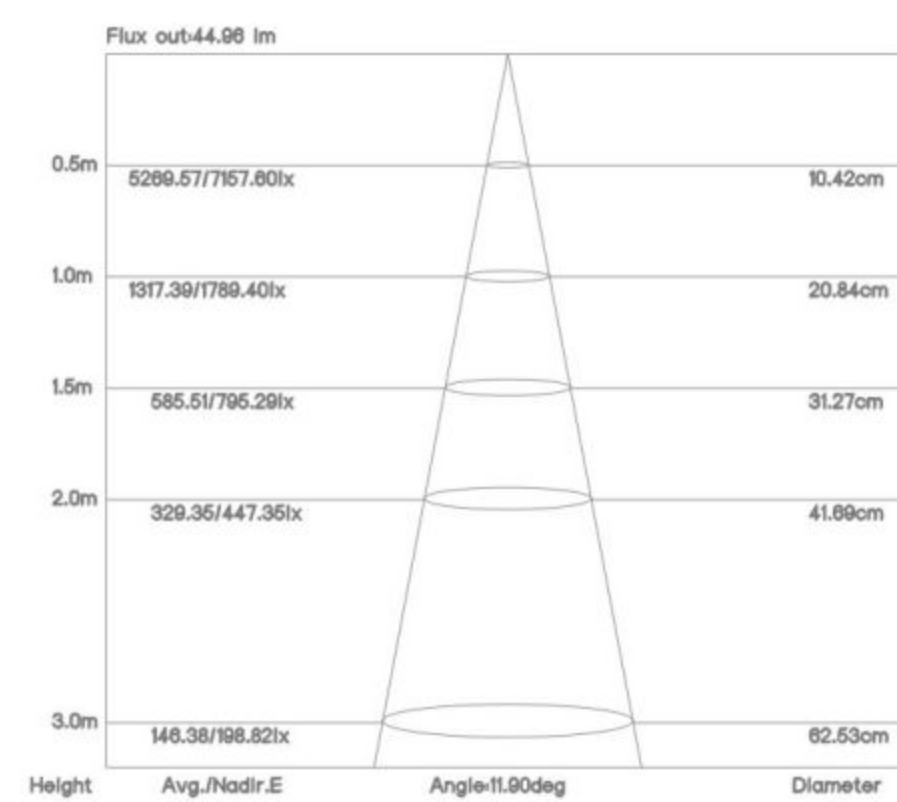
LED: OSRAM 3000K CRI 80
 POWER: 2.4W
 OPTIC: P
 OUTPUT: 110Lm
 CABLE/CLASS: H05RN-F 2*0.75mm²
 DIMENSION: Ø55*70mm
 HOLE SIZE: Ø45mm/Ø70mm

100-240VAC 654217 654417

LED: OSRAM 3000K CRI 80
 POWER: 2.6W
 OPTIC: 12°
 OUTPUT: 125Lm
 CABLE/CLASS: H05RN-F 3*0.75mm²
 DIMENSION: Ø55*70mm
 55*55*70mm
 HOLE SIZE: Ø45mm/Ø70mm

100-240VAC 654617

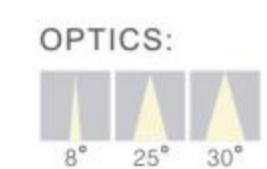
LED: OSRAM 3000K CRI 80
 POWER: 2.6W
 OPTIC: P
 OUTPUT: 110Lm
 CABLE/CLASS: H05RN-F 3*0.75mm²
 DIMENSION: Ø55*70mm
 HOLE SIZE: Ø45mm/Ø70mm



ANGLE P



OPTIONS:



COLOR FINISHINGS:



VELA 1.1 661715

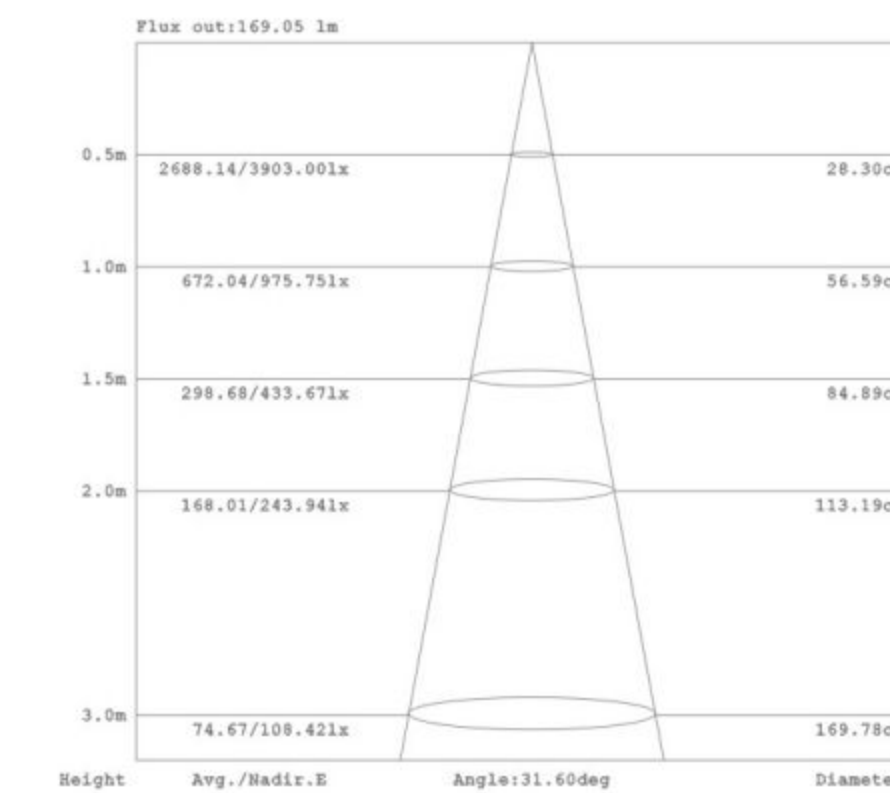
24VDC

LED: LUMINUS (CXM-6) 3000K CRI 80
 POWER: 3.5W
 OPTIC: 32°
 OUTPUT: 351Lm
 CABLE/CLASS: H05RN-F 2*0.75mm²
 DIMENSION: Ø65*80mm
 HOLE SIZE: Ø55mm/Ø90mm

VELA 1.1 661815A

100-240VAC

LED: LUMINUS (CXM-6) 3000K CRI 80
 POWER: 4.9W
 OPTIC: 32°
 OUTPUT: 400Lm
 CABLE/CLASS: H05RN-F 3*0.75mm²
 DIMENSION: Ø65*80mm
 HOLE SIZE: Ø55mm/Ø90mm

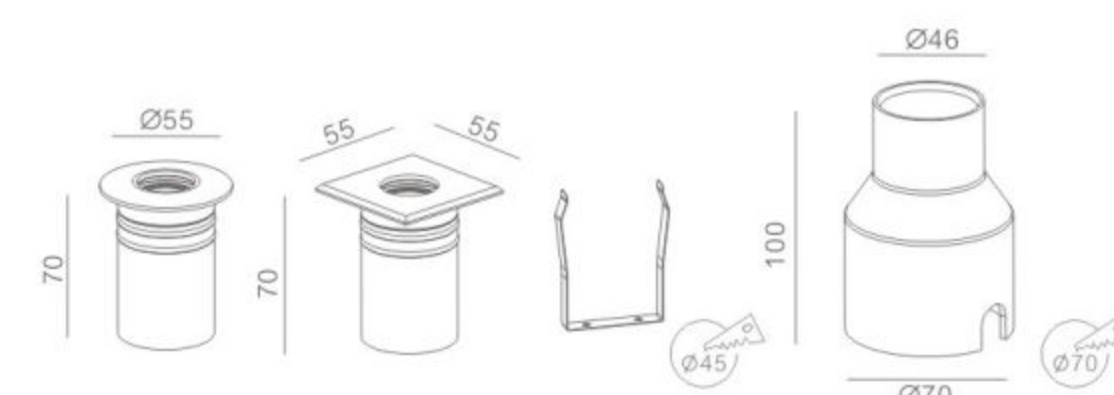
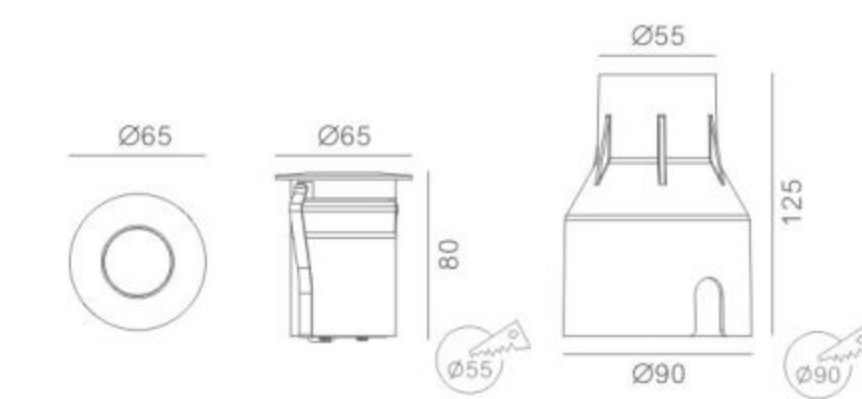


OPTIONS:

OPTICS:



COLOR FINISHINGS:





M DC / M



M AD DC / M AD



M NB

EXTERIOR INGROUND

VELA 1.1
24VDC

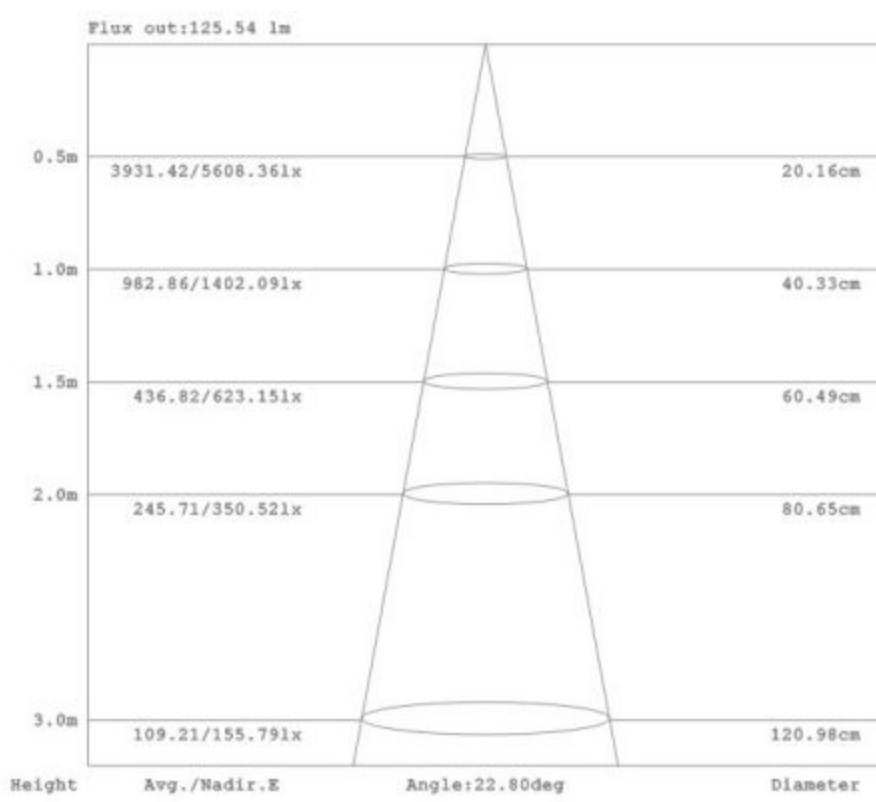
661915

LED: LUMINUS 3000K CRI 80
POWER: 5.6W
OPTIC: 25°
OUTPUT: 613Lm
CABLE/CLASS: H05RN-F 2*0.75mm²
DIMENSION: Ø85*120mm
HOLE SIZE: Ø100mm

VELA 1.1
100-240VAC

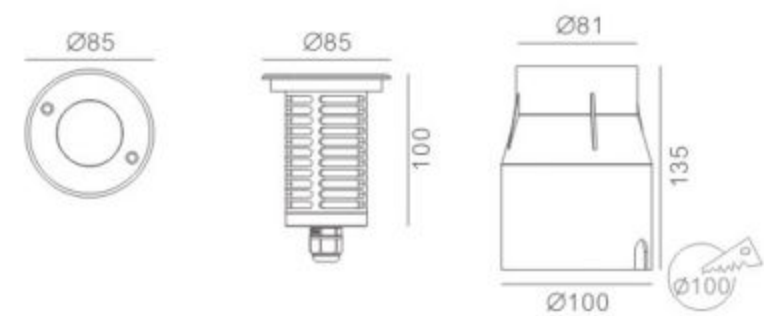
662015A

LED: LUMINUS 3000K CRI 80
POWER: 6.5W
OPTIC: 25°
OUTPUT: 612Lm
CABLE/CLASS: H05RN-F 3*0.75mm²
DIMENSION: Ø85*120mm
HOLE SIZE: Ø100mm



OPTIONS:

OPTICS:



COLOR FINISHINGS:



VELA 1.1
24VDC

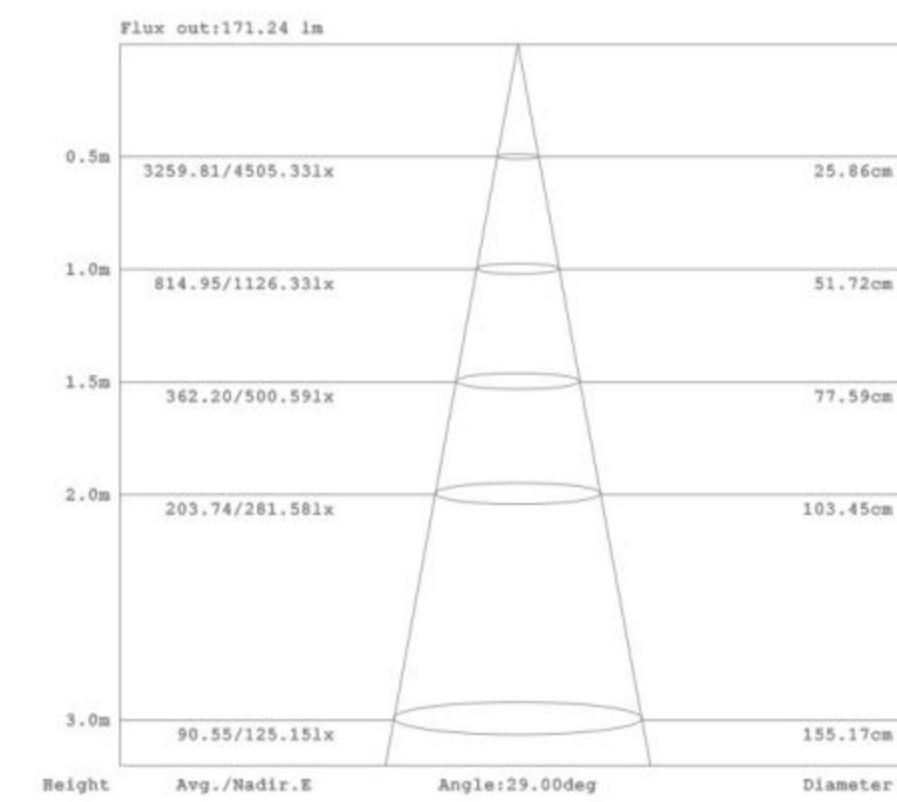
662315

LED: LUMINUS 3000K CRI 80
POWER: 5.6W
OPTIC: 28°
OUTPUT: 613Lm
CABLE/CLASS: H05RN-F 2*0.75mm²
DIMENSION: Ø126*154mm
HOLE SIZE: Ø145mm

VELA 1.1
100-240VAC

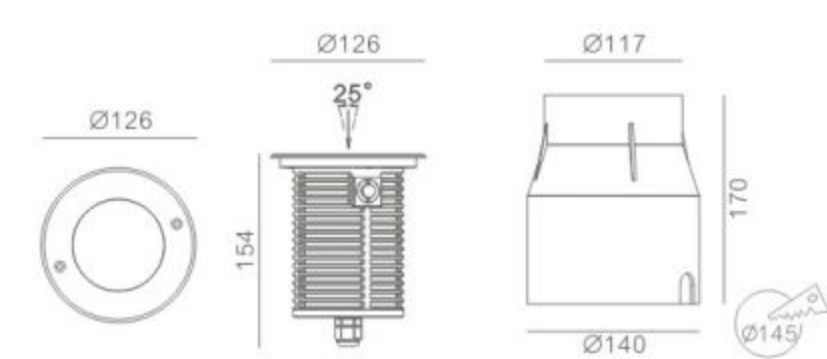
662415A

LED: LUMINUS 3000K CRI 80
POWER: 6.5W
OPTIC: 28°
OUTPUT: 612Lm
CABLE/CLASS: H05RN-F 3*0.75mm²
DIMENSION: Ø126*154mm
HOLE SIZE: Ø145mm



OPTIONS:

OPTICS:



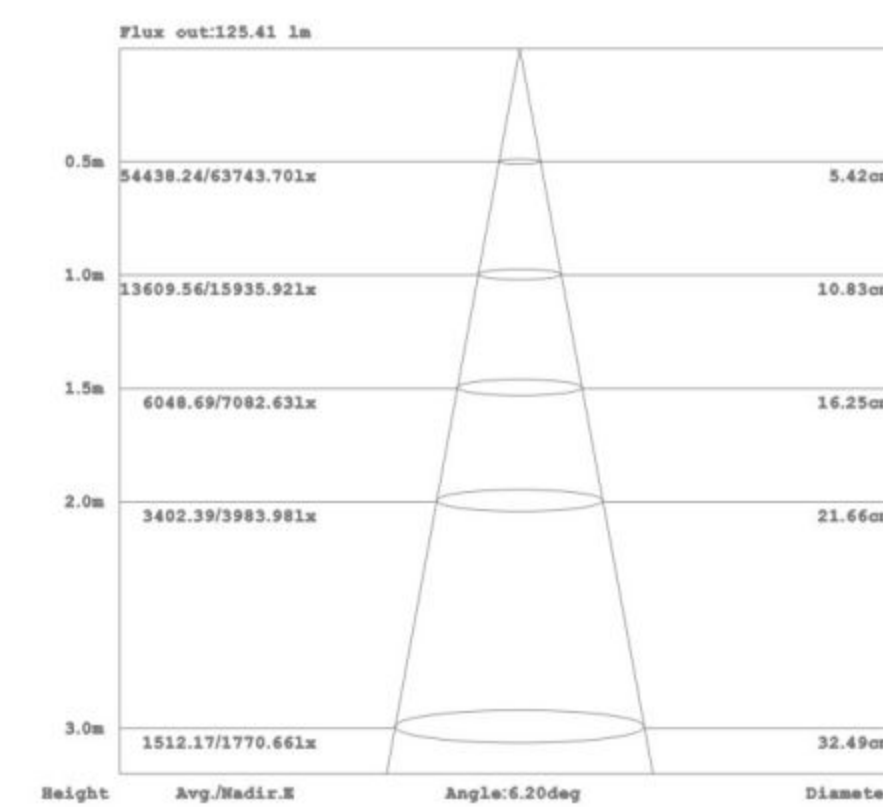
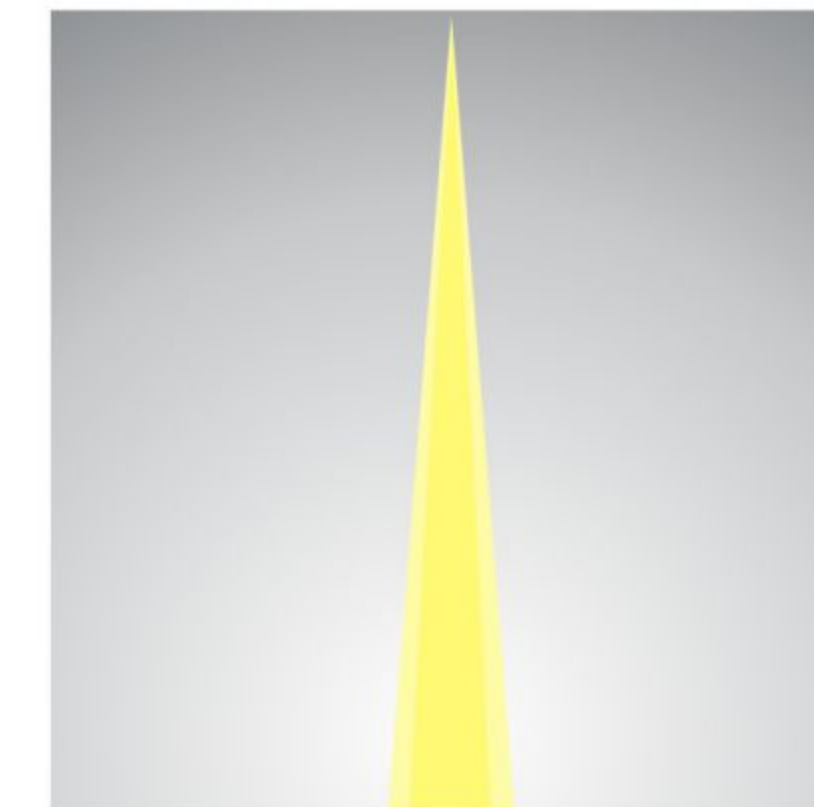
220-240VAC

657411

LED: CREE 3000K CRI 80
POWER: 7W
OPTIC: 5°
OUTPUT: 459Lm
CABLE/CLASS: H05RN-F 3*0.75mm²
DIMENSION: Ø85*123mm
HOLE SIZE: Ø100mm



ANGLE 5°



COLOR FINISHINGS:





ML DC / ML



ML SQUARED DC / ML SQUARED



L DC / L



L SQUARED DC / L SQUARED



L AD DC / L AD



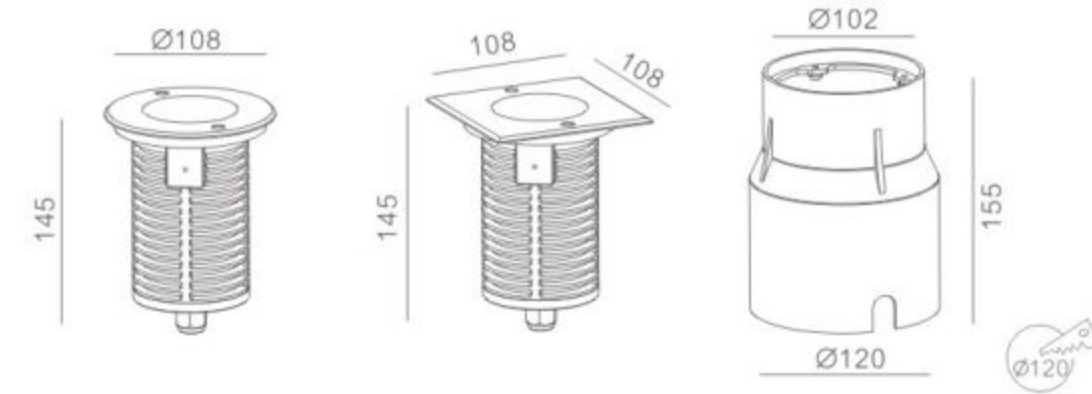
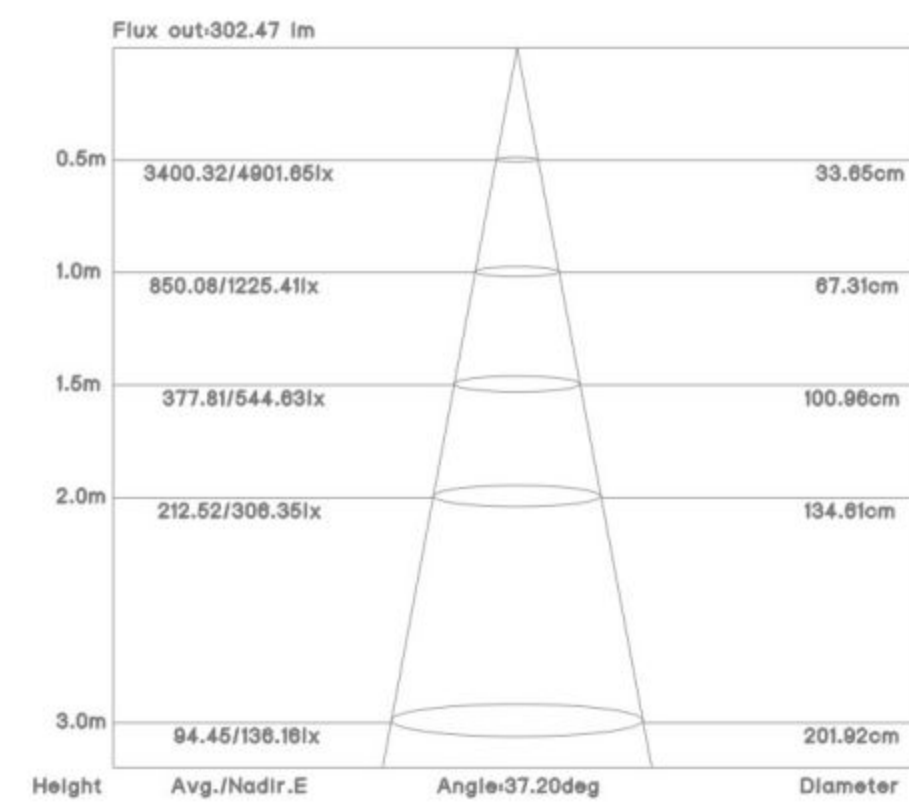
L AD SQUARED DC / L AD SQUARED

24VDC 631512B 631712B

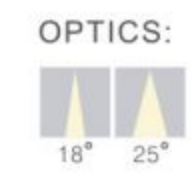
LED: LUMINUS 3000K CRI 80
 POWER: 10W
 OPTIC: 38°
 OUTPUT: 734Lm
 CABLE/CLASS: H05RN-F 2*0.75mm²
 DIMENSION: Ø108*145mm
 108*108*145mm
 HOLE SIZE: Ø120mm

100-240VAC 631612B 631812B

LED: LUMINUS 3000K CRI 80
 POWER: 10.7W
 OPTIC: 38°
 OUTPUT: 734Lm
 CABLE/CLASS: H05RN-F 3*0.75mm²
 DIMENSION: Ø108*145mm
 108*108*145mm
 HOLE SIZE: Ø120mm



OPTIONS:



COLOR FINISHINGS:



24VDC 632012B 632212B

LED: LUMINUS 3000K CRI 80
 POWER: 15.5W
 OPTIC: 24°
 OUTPUT: 1024Lm
 CABLE/CLASS: H05RN-F 2*0.75mm²
 DIMENSION: Ø126*154mm
 126*126*154mm
 HOLE SIZE: Ø140mm

24VDC 634512B 634712B

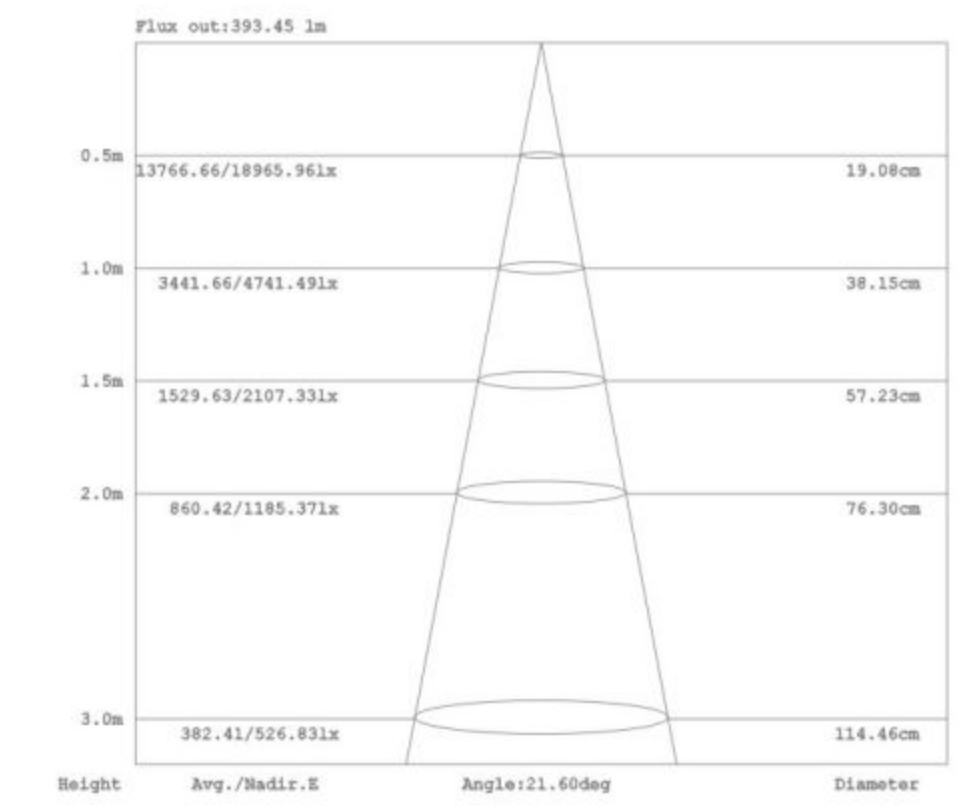
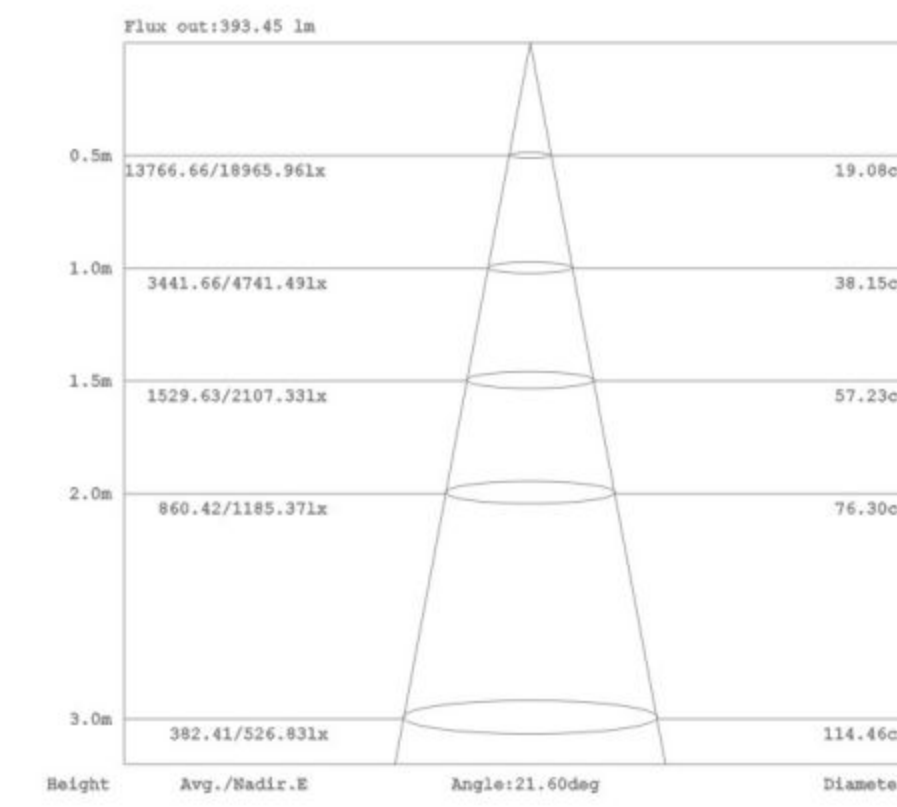
LED: LUMINUS 3000K CRI 80
 POWER: 15.4W
 OPTIC: 24°
 OUTPUT: 1024Lm
 CABLE/CLASS: H05RN-F 2*0.75mm²
 DIMENSION: Ø175*210mm
 175*175*210mm
 HOLE SIZE: Ø200mm

100-240VAC 632112B 632312B

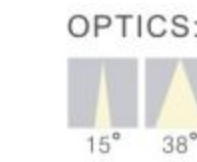
LED: LUMINUS 3000K CRI 80
 POWER: 16.8W
 OPTIC: 24°
 OUTPUT: 1024Lm
 CABLE/CLASS: H05RN-F 3*0.75mm²
 DIMENSION: Ø126*154mm
 126*126*154mm
 HOLE SIZE: Ø140mm

100-240VAC 634612B 634812B

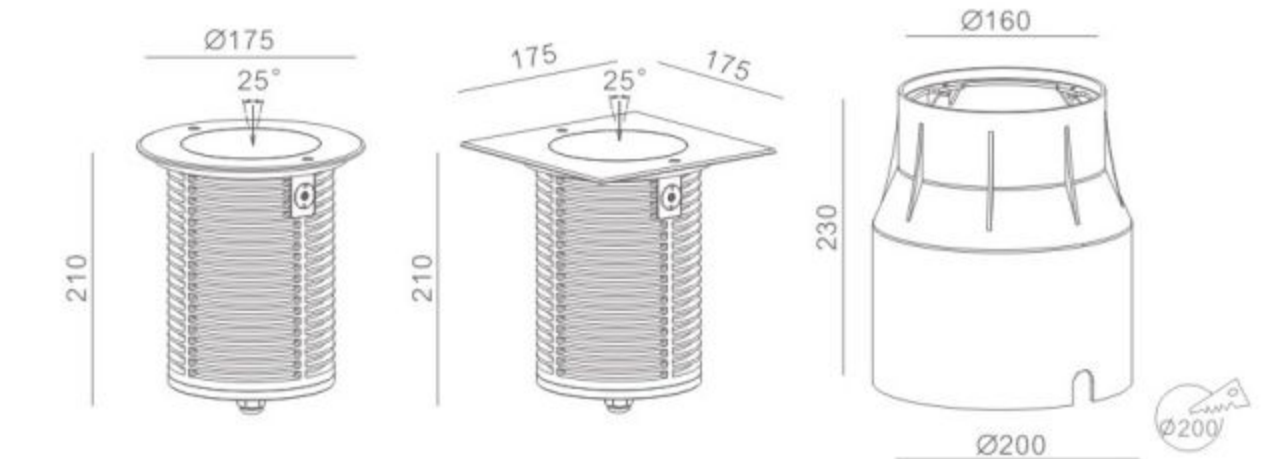
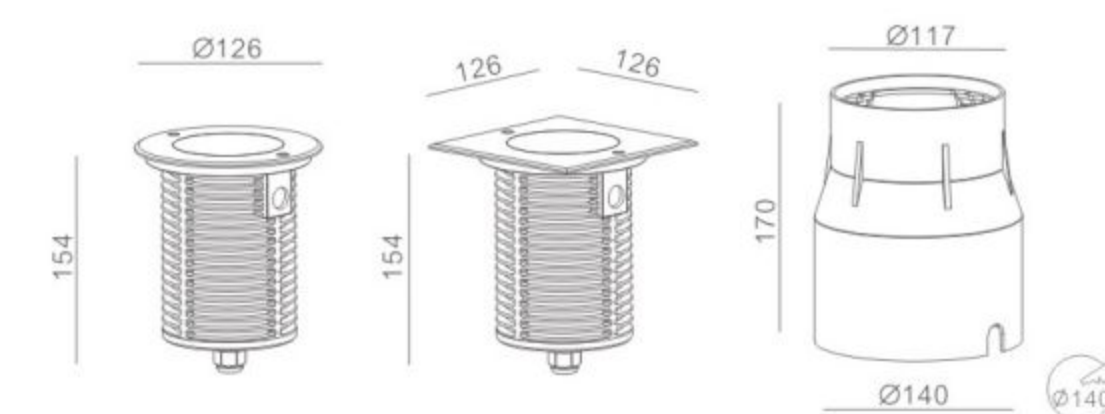
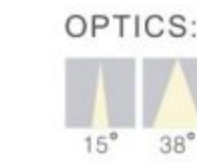
LED: LUMINUS 3000K CRI 80
 POWER: 16.8W
 OPTIC: 24°
 OUTPUT: 1024Lm
 CABLE/CLASS: H05RN-F 3*0.75mm²
 DIMENSION: Ø175*210mm
 175*175*210mm
 HOLE SIZE: Ø200mm



OPTIONS:



OPTIONS:

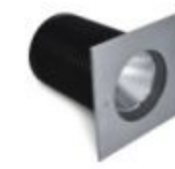


COLOR FINISHINGS:





XL DC / XL



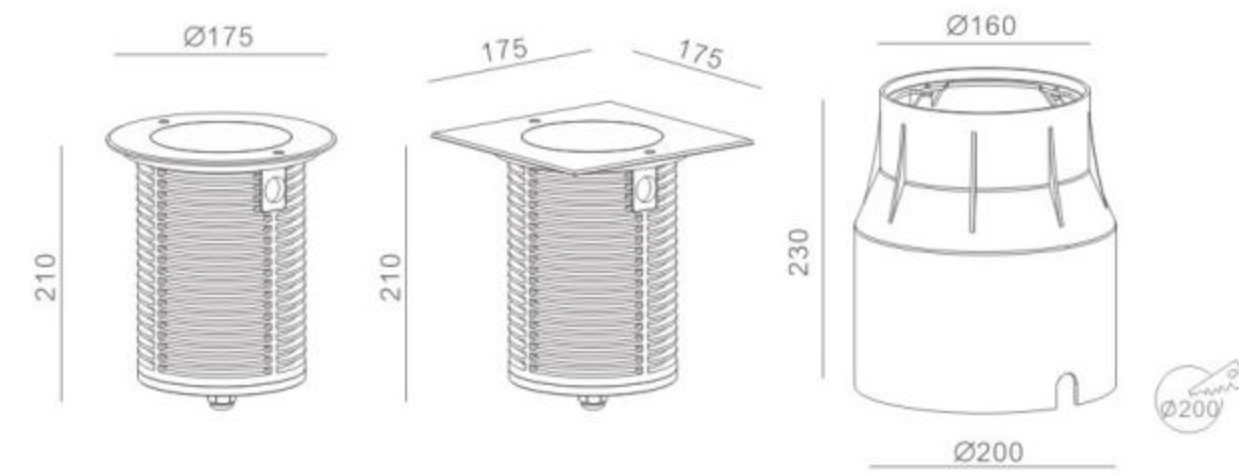
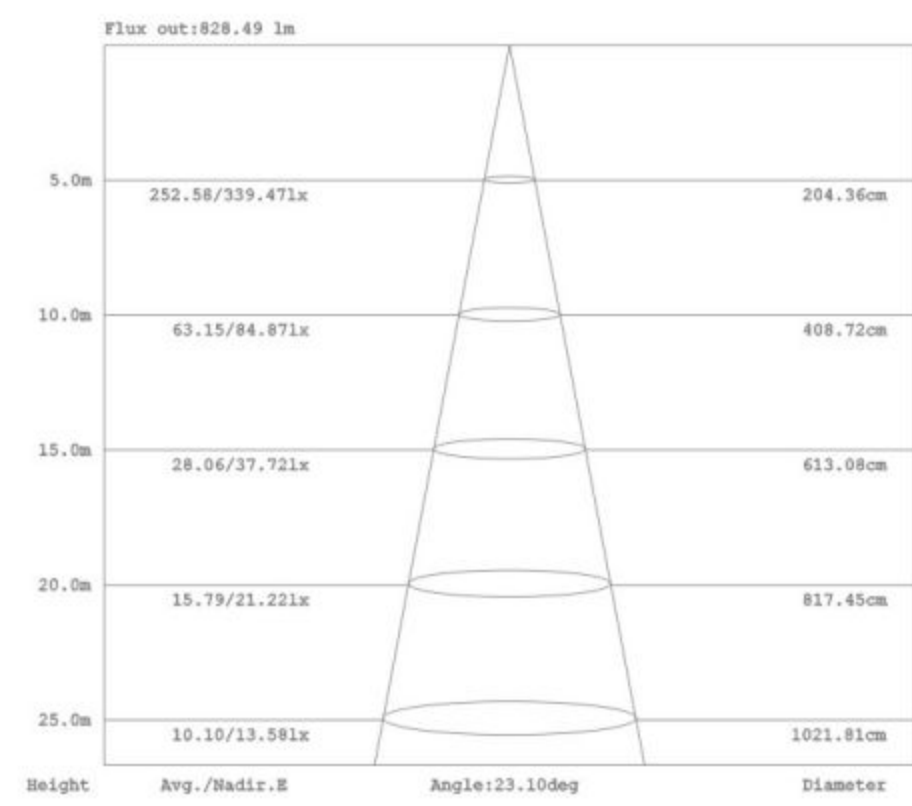
XL SQUARED DC / XL SQUARED

24VDC 632512B 632712B 

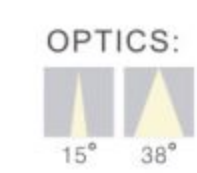
LED: LUMINUS 3000K CRI 80
 POWER: 22.8W
 OPTIC: 24°
 OUTPUT: 2188Lm
 CABLE/CLASS: H05RN-F 2*0.75mm²
 DIMENSION: Ø175*210mm
 175*175*210mm
 HOLE SIZE: Ø200mm

100-240VAC 632612B 632812B 

LED: LUMINUS 3000K CRI 80
 POWER: 23.9W
 OPTIC: 24°
 OUTPUT: 2188Lm
 CABLE/CLASS: H05RN-F 3*0.75mm²
 DIMENSION: Ø175*210mm
 175*175*210mm
 HOLE SIZE: Ø200mm

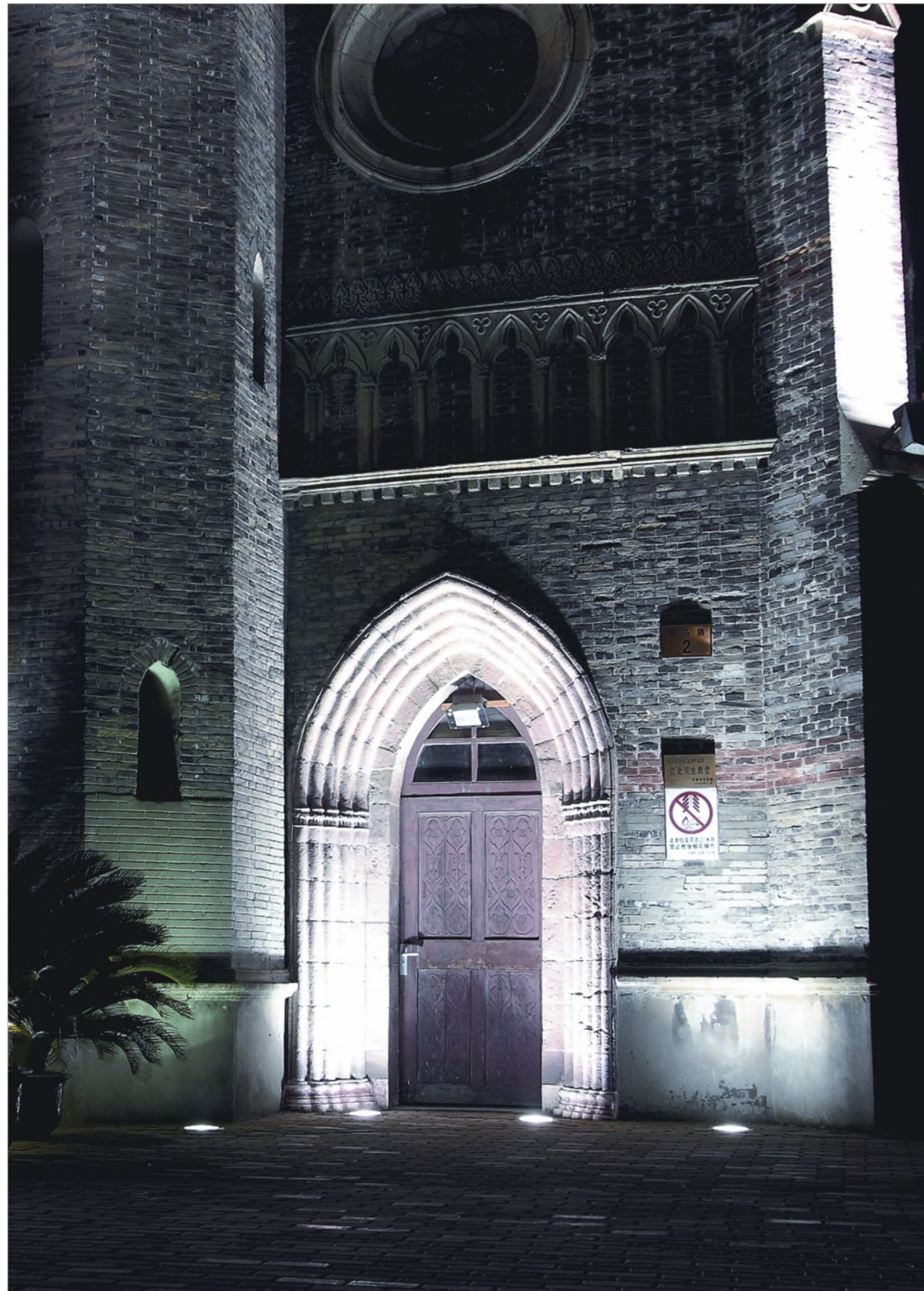


OPTIONS:



COLOR FINISHINGS:







WADER

WADER is a special range of FLUA inground collection.
 This miniature luminaire could create perfect atmosphere to the landscape.
 Thanks to its structure, WADER could be smoothly installed in the ground.
 IP67 rates and stainless steel body makes it possible
 to use WADER in many different environment conditions without any problem.
 Special light effect is coming with the help of RGB version.
 SMD with frosted glass combination produces perfect light patterns,
 smooth and extremely soft.

© CE IP67 24VDC



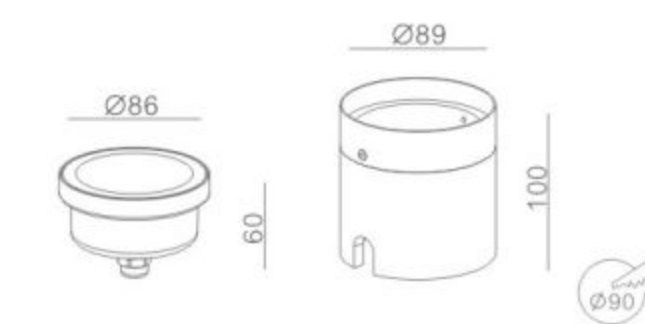
R DC

24VDC

656314



LED: EDISON 3000K CRI 80
 POWER: 3W
 OPTIC: F
 OUTPUT: 220Lm
 CABLE/CLASS: H05RN-F 2*0.75mm²
 DIMENSION: Ø86*60mm
 HOLE SIZE: Ø90mm



COLOR FINISHINGS:

■ PBL



R RGB



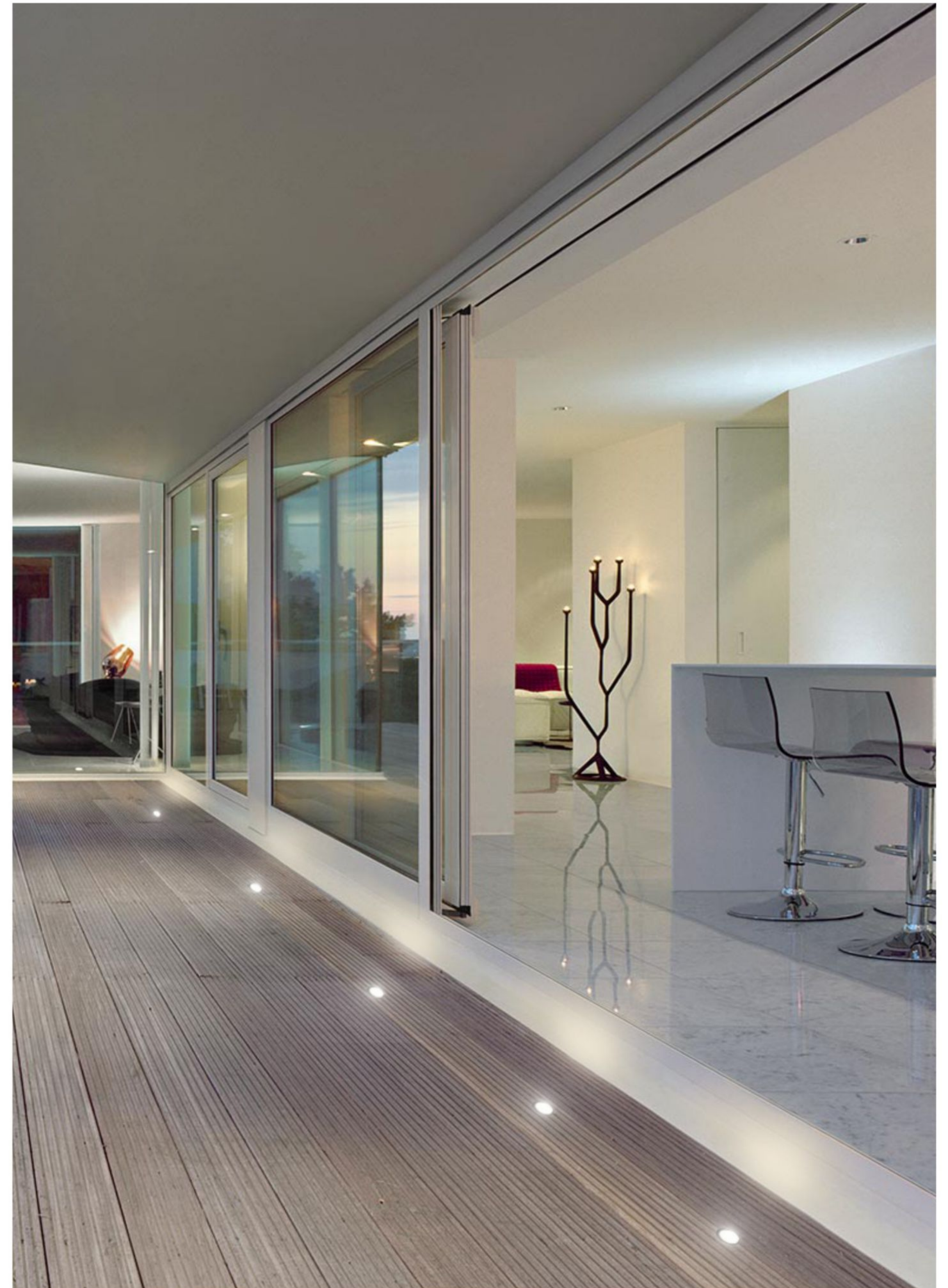
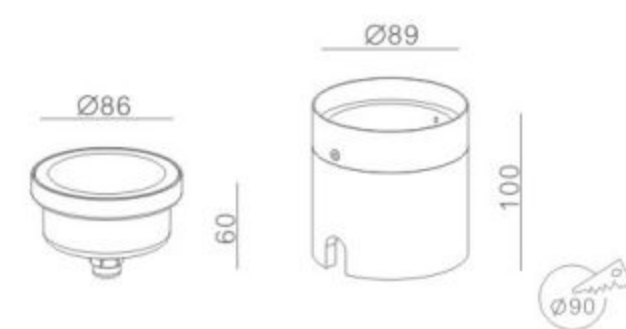
24VDC RGB 3IN1

656414 

LED: EDISON RGB 3IN1
POWER: 4W
OPTIC: F
OUTPUT: 220Lm
CABLE/CLASS: H05RN-F 4*0.75mm²
DIMENSION: Ø86*60mm
HOLE SIZE: Ø90mm

COLOR FINISHINGS:

 PBL



WALKA

In-ground strip with frosted cover glass offers soft and comfortable illuminance. Satisfy different design frames by making up different shape with the available three sizes of the luminaires.

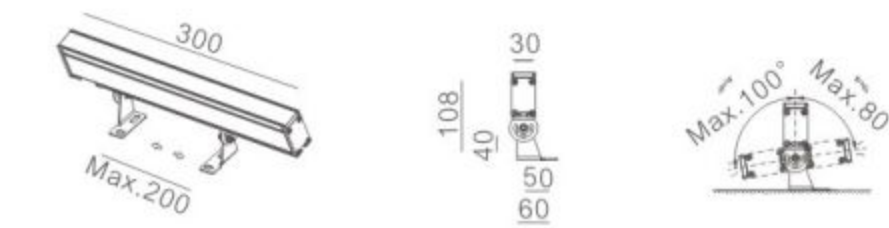


ON DC

ON S DC

24V 815914

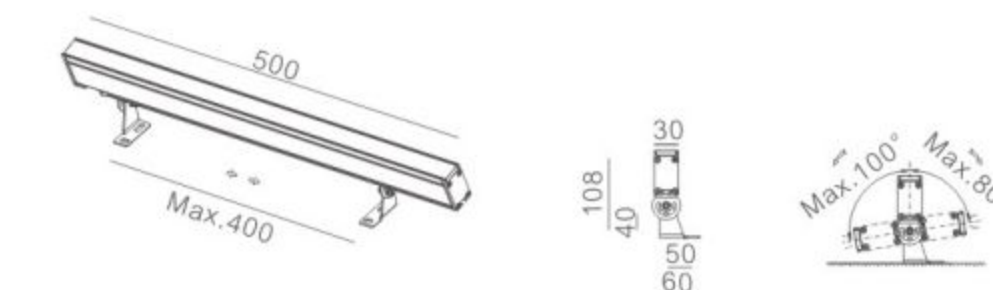
LED: EDISON 3000K CRI 80
 POWER: 3W
 OPTIC: F
 OUTPUT: 86Lm
 CABLE/CLASS: H05RN-F 2*0.75mm²
 DIMENSION: 300*30*108mm
 HOLE SIZE: /



ON M DC

24V 816014

LED: EDISON 3000K CRI 80
 POWER: 6W
 OPTIC: F
 OUTPUT: 148Lm
 CABLE/CLASS: H05RN-F 2*0.75mm²
 DIMENSION: 500*30*108mm
 HOLE SIZE: /



ON L DC

24V 815814

LED: EDISON 3000K CRI 80
 POWER: 13.2W
 OPTIC: F
 OUTPUT: 300Lm
 CABLE/CLASS: H05RN-F 2*0.75mm²
 DIMENSION: 1000*30*108mm
 HOLE SIZE: /



COLOR FINISHINGS:



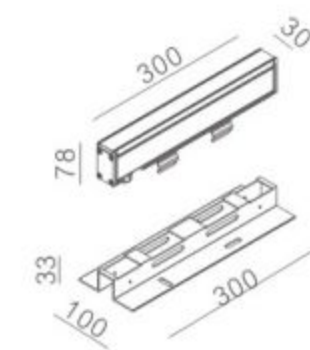


IN DC

IN S DC
24V

627714

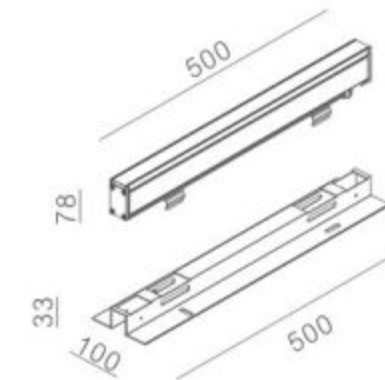
LED: EDISON 3000K CRI 80
POWER: 3W
OPTIC: F
OUTPUT: 86Lm
CABLE/CLASS: H05RN-F 2*0.75mm²
DIMENSION: 300*30*78mm
HOLE SIZE: /



IN M DC
24V

627514

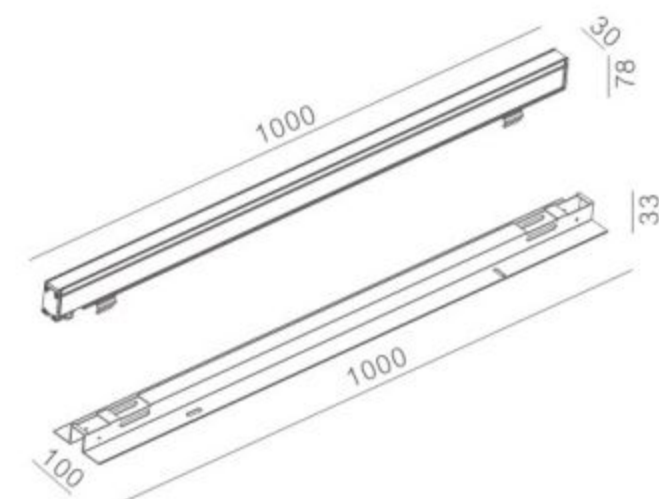
LED: EDISON 3000K CRI 80
POWER: 6W
OPTIC: F
OUTPUT: 148Lm
CABLE/CLASS: H05RN-F 2*0.75mm²
DIMENSION: 500*30*78mm
HOLE SIZE: /



IN L DC
24V

627314

LED: EDISON 3000K CRI 80
POWER: 13.2W
OPTIC: F
OUTPUT: 300Lm
CABLE/CLASS: H05RN-F 2*0.75mm²
DIMENSION: 1000*30*78mm
HOLE SIZE: /



























COLOR FINISHINGS:

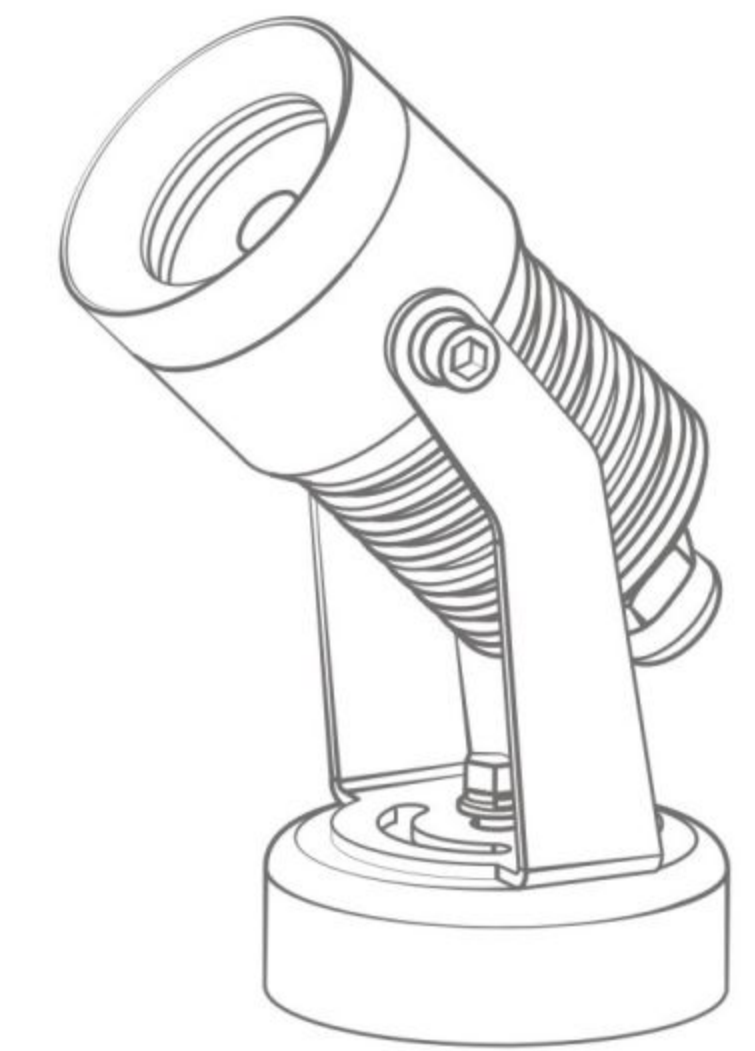
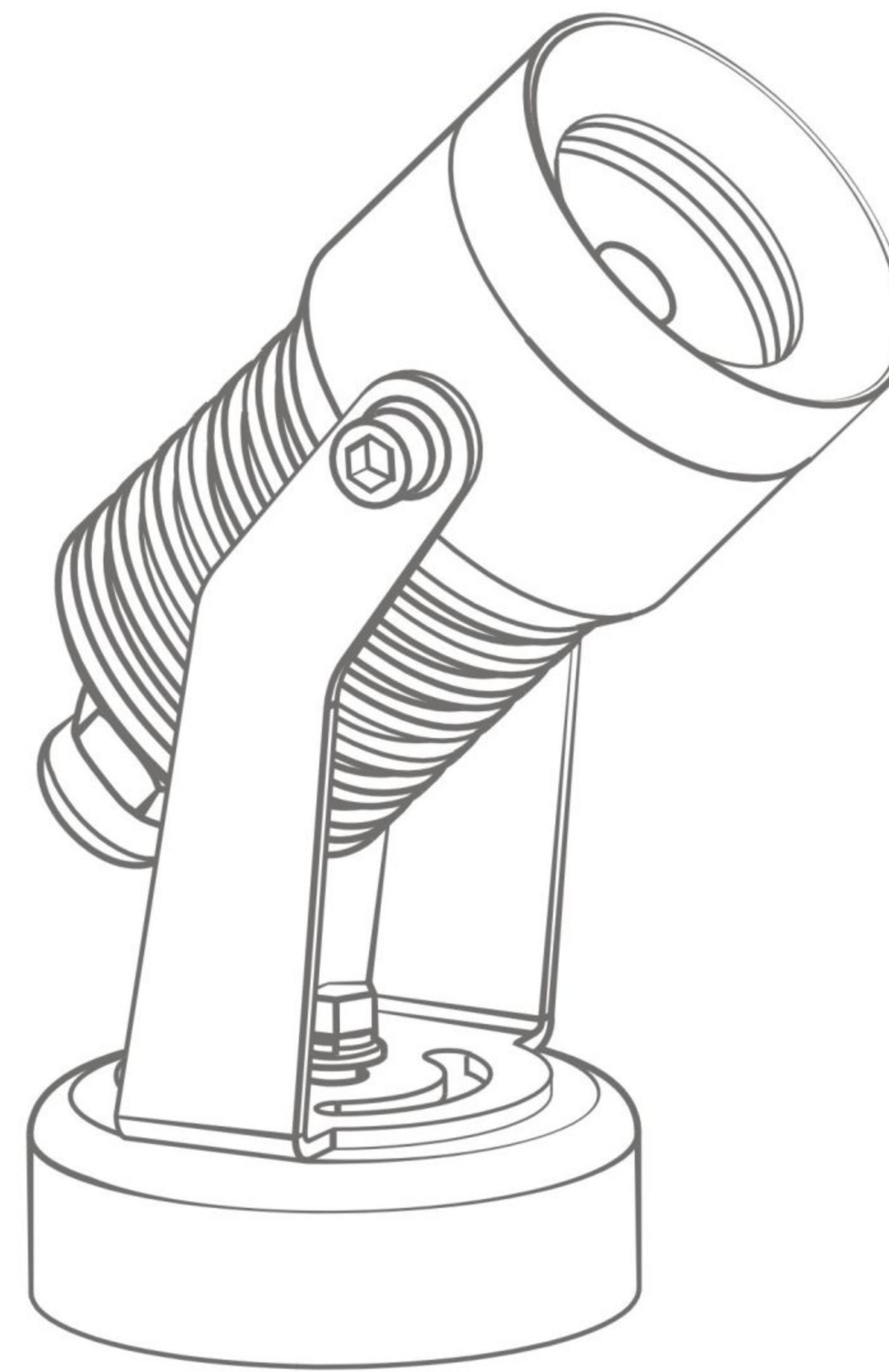
PBL



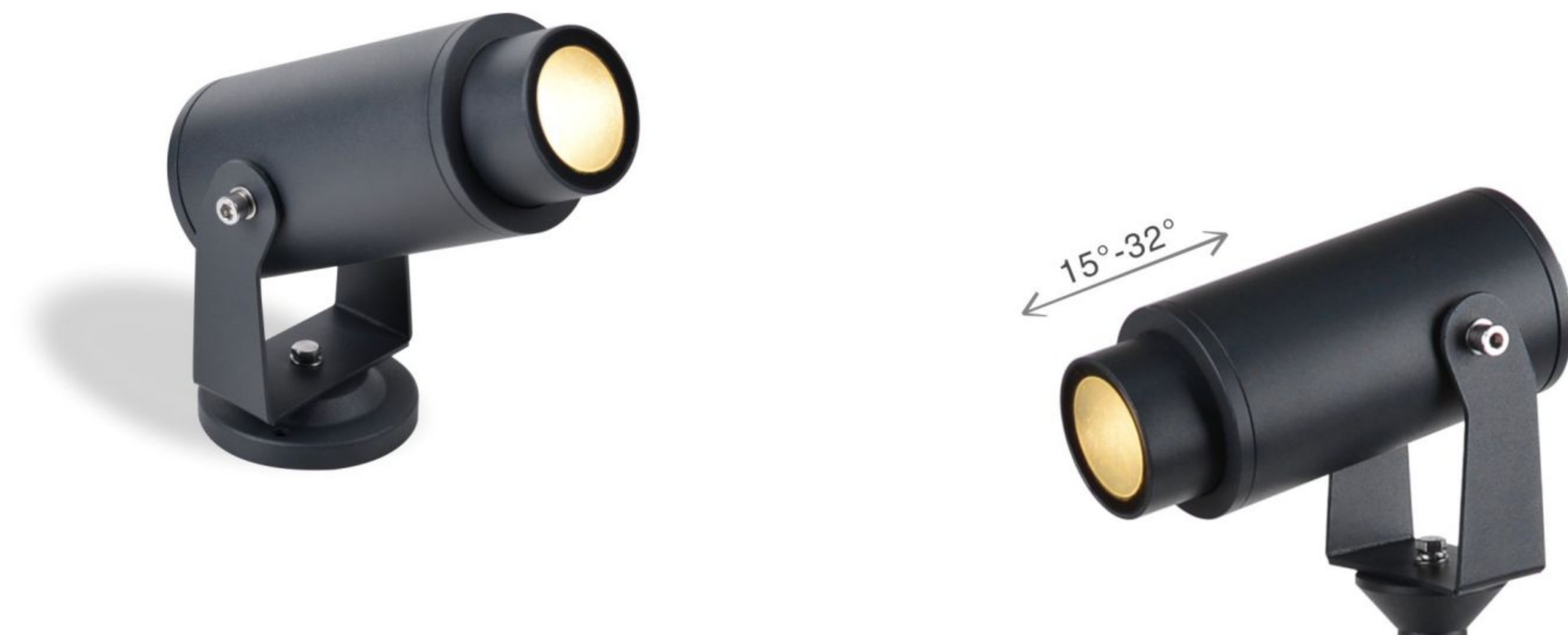
GARDEN SPOT

 NEW BEAMER 82	 CRU DC 126	 CRU RGB 126	 DETECTOR M 86	 DETECTOR M RGB 86	 DETECTOR L 87
 DETECTOR L RGB 87	 GADDIS M 91	 GADDIS M+ 91	 NEW GUARDIAN 96	 PICARD S 99	 PICARD M 100
 PICARD M RGB 100	 PICARD L 101	 PICARD L RGB 101	 PICTOR SS 107	 PICTOR SS RGB 107	 PICTOR S 108
 + PICTOR M 109	 + PICTOR L 110	 PICTOR XL 111	 NEW QUARTO 116	 NEW QUARTO SPOT 117	 NEW TRACKER NB 120

79



80



BEAMER

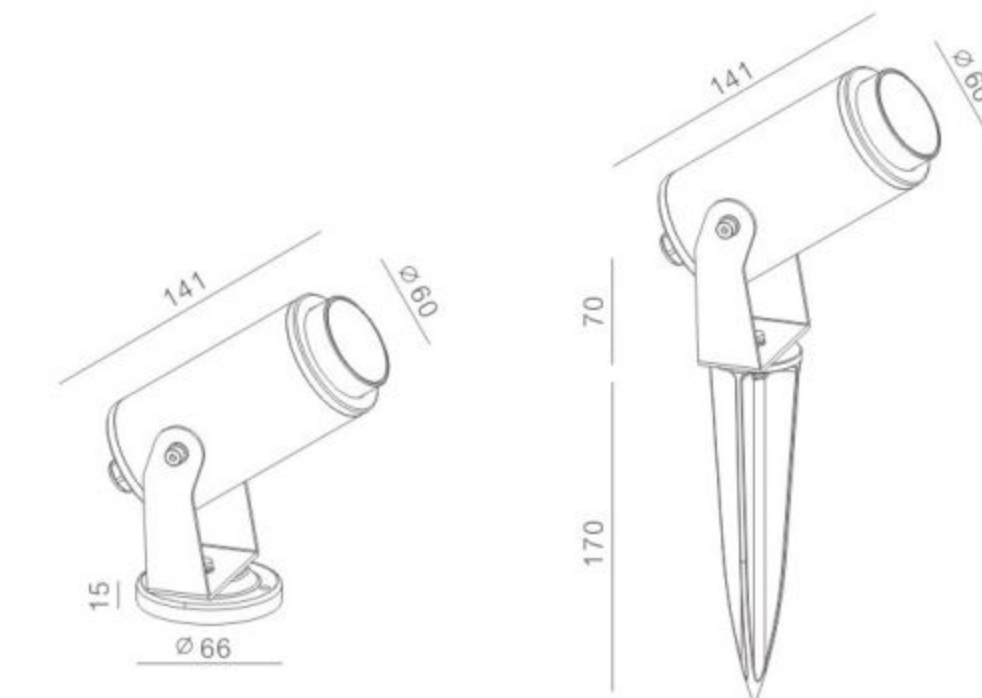
BEAMER

This splendid tiny spot is the best choice for garden light.
 Thanks to its adjustable function,
 the beam angle can change from 15° up to 32° degrees,
 making it more flexible and face all possible lighting design requirement.
 BEAMER can be installed on the pole or in-ground by mounting base or spike.

CCC CE IP65 100-240VAC

100-240VAC 730815A

LED: LUMINUS 3000K CRI 80
 POWER: 7.7W
 OPTIC: 15°-32°
 OUTPUT: 284Lm
 CABLE/CLASS: H05RN-F 3*0.75mm²
 DIMENSION: Ø66*141*70mm
 HOLE SIZE: /

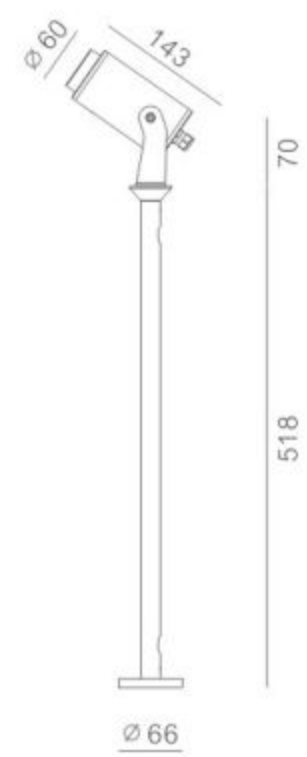


COLOR FINISHINGS:





BEAMER H



100-240VAC 730715A

LED: LUMINUS 3000K CRI 80
 POWER: 7.7W
 OPTIC: 15°-32°
 OUTPUT: 284Lm
 CABLE/CLASS: H05RN-F 3*0.75mm²
 DIMENSION: ∅66*141*588mm
 HOLE SIZE: /



COLOR FINISHINGS:

PGY





DETECTOR

Powerful floodlight DETECTOR is the best choice for illuminating objects from long distance. 2 sizes are available for choosing, both are equipped with mounting plate or ground spike. RGB 3 in 1 is possible option once necessary.







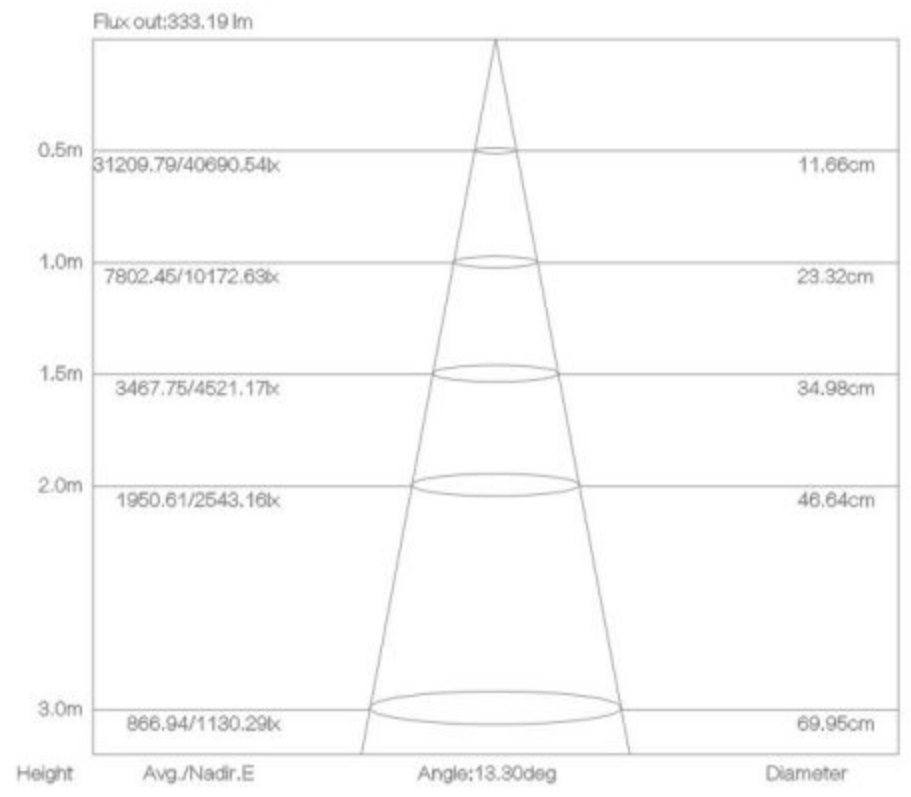


M DC / M / M RGB

24VDC 809811A 
 LED: OSRAM 3000K CRI 80
 POWER: 14.4W
 OPTIC: 12°
 OUTPUT: 842Lm
 CABLE/CLASS: H05RN-F 2*0.75mm²
 DIMENSION: Ø125*78*80mm
 HOLE SIZE: /

100-240VAC 810011A 
 LED: OSRAM 3000K CRI 80
 POWER: 15.6W
 OPTIC: 12°
 OUTPUT: 842Lm
 CABLE/CLASS: H05RN-F 3*0.75mm²
 DIMENSION: Ø125*78*80mm
 HOLE SIZE: /

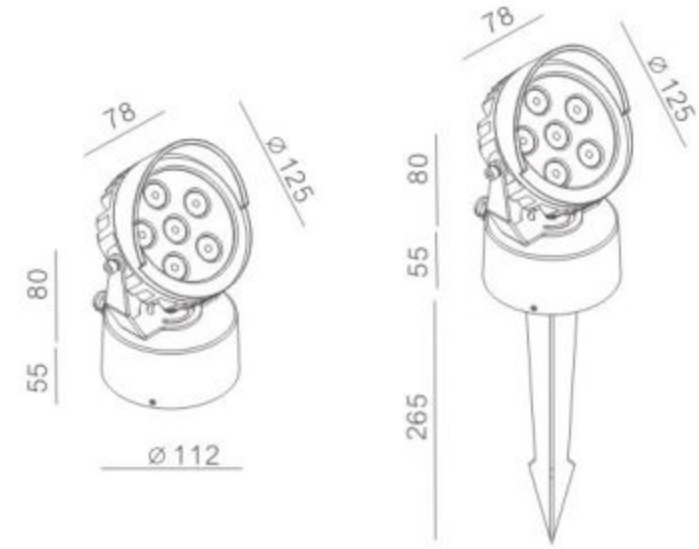
24VDC RGB 3IN1 810614 
 LED: EDISON RGB 3IN1
 POWER: 16.8W
 OPTIC: 25°
 CABLE/CLASS: H05RN-F 4*0.75mm²
 DIMENSION: Ø125*78*80mm
 HOLE SIZE: /



OPTIONS:



COLOR FINISHINGS:



DETECTOR



L DC / L / L RGB

24VDC 811011A

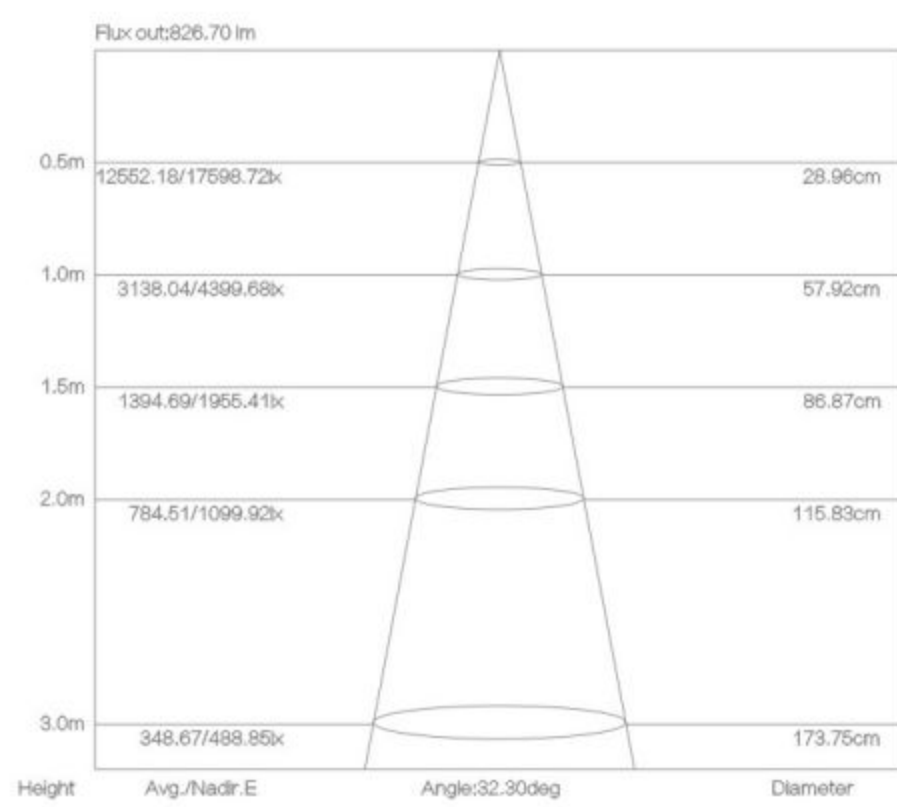
LED: OSRAM 3000K CRI 80
 POWER: 28.8W
 OPTIC: 12°
 OUTPUT: 1657Lm
 CABLE/CLASS: H05RN-F 2*0.75mm²
 DIMENSION: Ø148*96*94mm
 HOLE SIZE: /

100-240VAC 811211A

LED: OSRAM 3000K CRI 80
 POWER: 31.2W
 OPTIC: 12°
 OUTPUT: 1657Lm
 CABLE/CLASS: H05RN-F 3*0.75mm²
 DIMENSION: Ø148*96*94mm
 HOLE SIZE: /

24VDC RGB 3IN1 811814

LED: EDISON RGB 3IN1
 POWER: 33.6W
 OPTIC: 25°
 CABLE/CLASS: H05RN-F 4*0.75mm²
 DIMENSION: Ø148*96*94mm
 HOLE SIZE: /



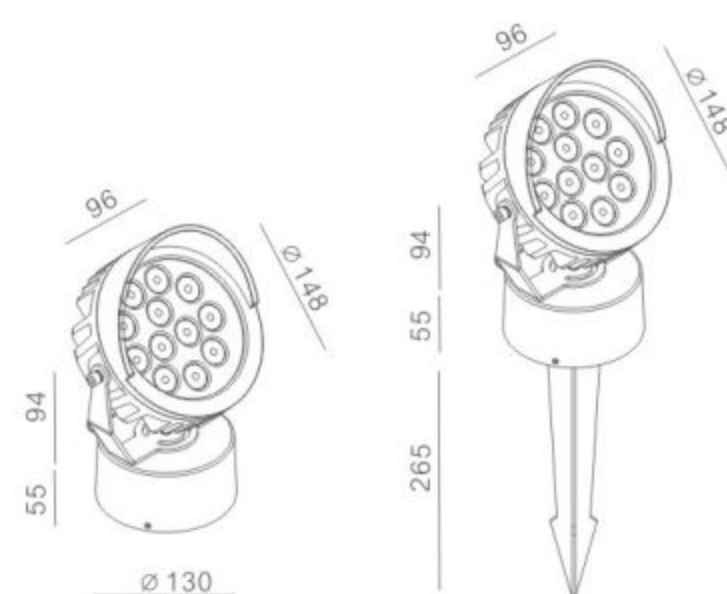
OPTIONS:

OPTICS:



COLOR FINISHINGS:

PGY



DETECTOR



EXTERIOR GARDEN SPOT

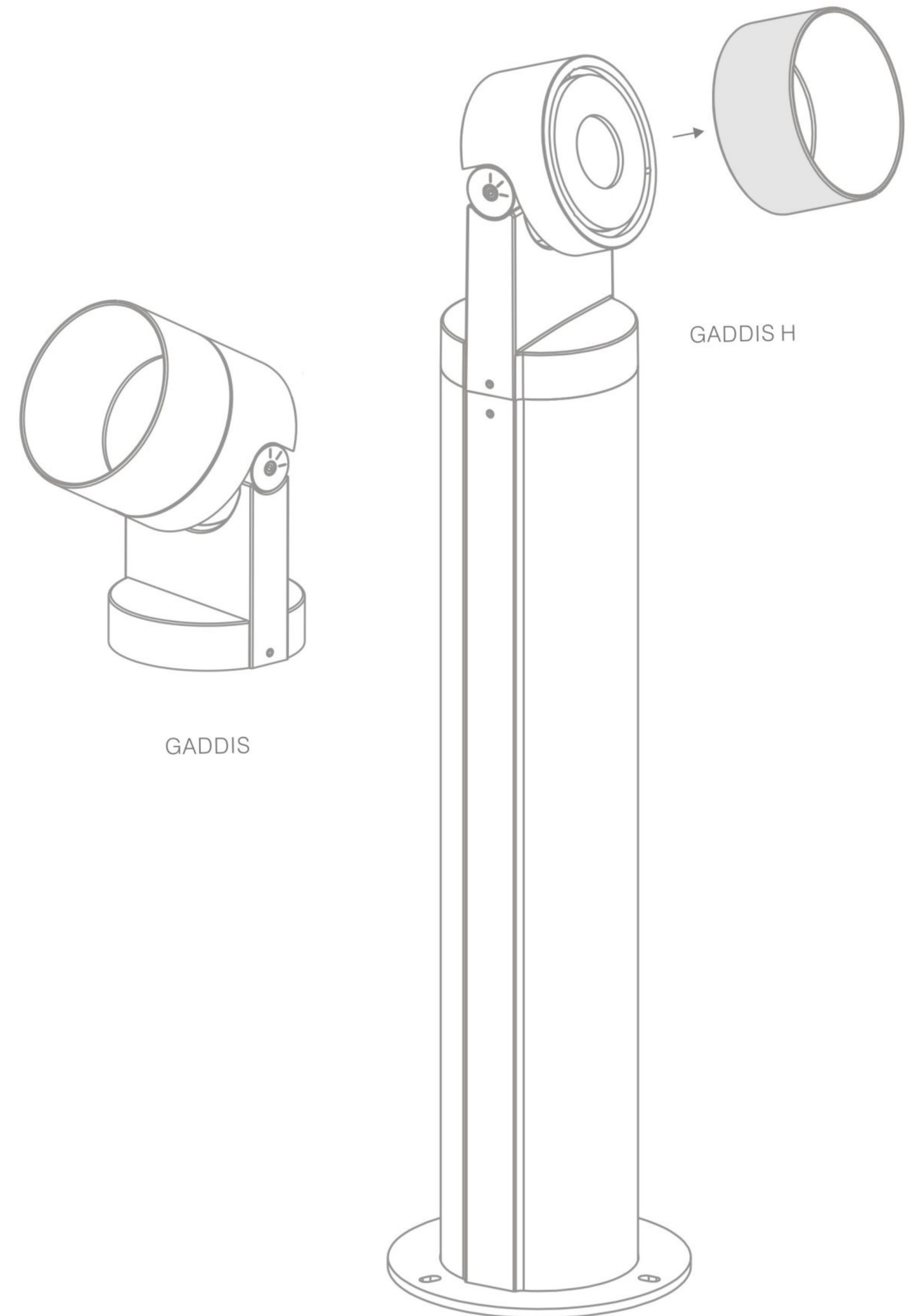




GADDIS

Flexibility, elegance and usability are main key words to describe GADDIS collection.
 GADDIS is ideal to illuminate trees, sculptures or facades.
 GADDIS comes into two versions: 7W and 15W.
 In addition, antiglare accessory is available.

© CE IP65 24VDC 100-240VAC





M DC / M / M+DC / M+



HM DC / HM / HM+DC / HM+

M DC
24VDC 727715

LED: CREE 3000K CRI 80
POWER: 7.3W
OPTIC: 15°
OUTPUT: 479Lm
CABLE/CLASS: H05RN-F 2*0.75mm²
DIMENSION: Ø100*105mm
HOLE SIZE: /

M+ DC
24VDC 727515

LED: LUMINUS 3000K CRI 90
POWER: 14.5W
OPTIC: 18°
OUTPUT: 997Lm
CABLE/CLASS: H05RN-F 2*0.75mm²
DIMENSION: Ø100*105mm
HOLE SIZE: /

HM DC
24VDC 731815

LED: CREE 3000K CRI 80
POWER: 7.3W
OPTIC: 15°
OUTPUT: 479Lm
CABLE/CLASS: H05RN-F 2*0.75mm²
DIMENSION: Ø100*600mm
HOLE SIZE: /

HM+ DC
24VDC 731715

LED: LUMINUS 3000K CRI 80
POWER: 14.5W
OPTIC: 18°
OUTPUT: 997Lm
CABLE/CLASS: H05RN-F 2*0.75mm²
DIMENSION: Ø100*600mm
HOLE SIZE: /

M
100-240VAC 727815

LED: CREE 3000K CRI 80
POWER: 7.7W
OPTIC: 15°
OUTPUT: 479Lm
CABLE/CLASS: H05RN-F 3*0.75mm²
DIMENSION: Ø100*105mm
HOLE SIZE: /

M+
100-240VAC 725715

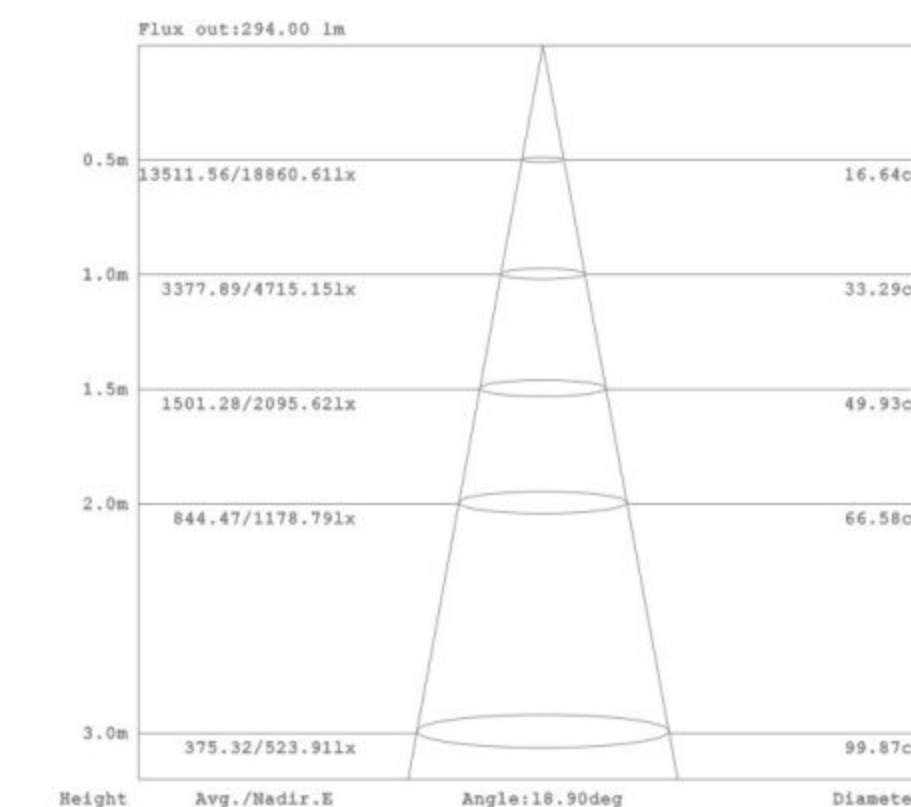
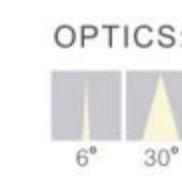
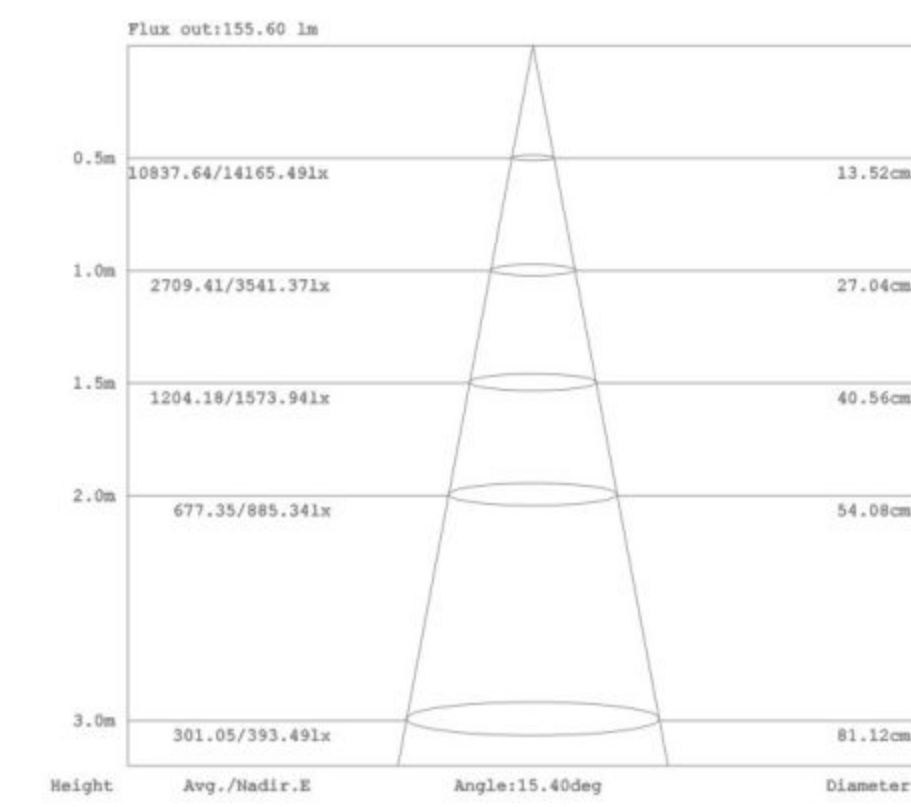
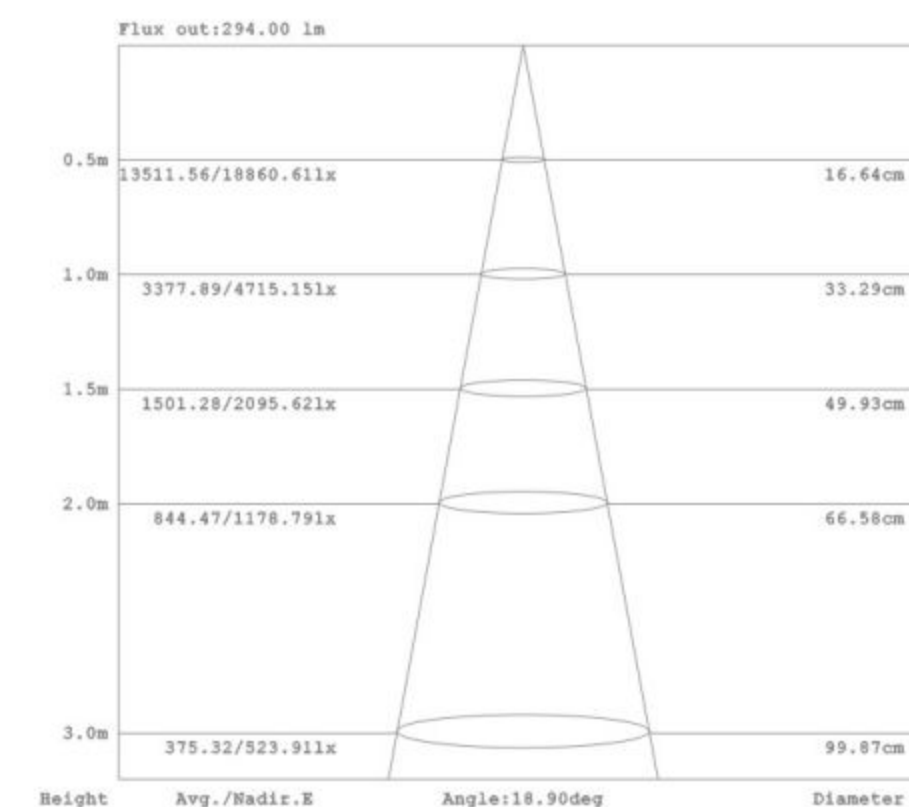
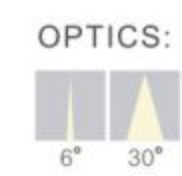
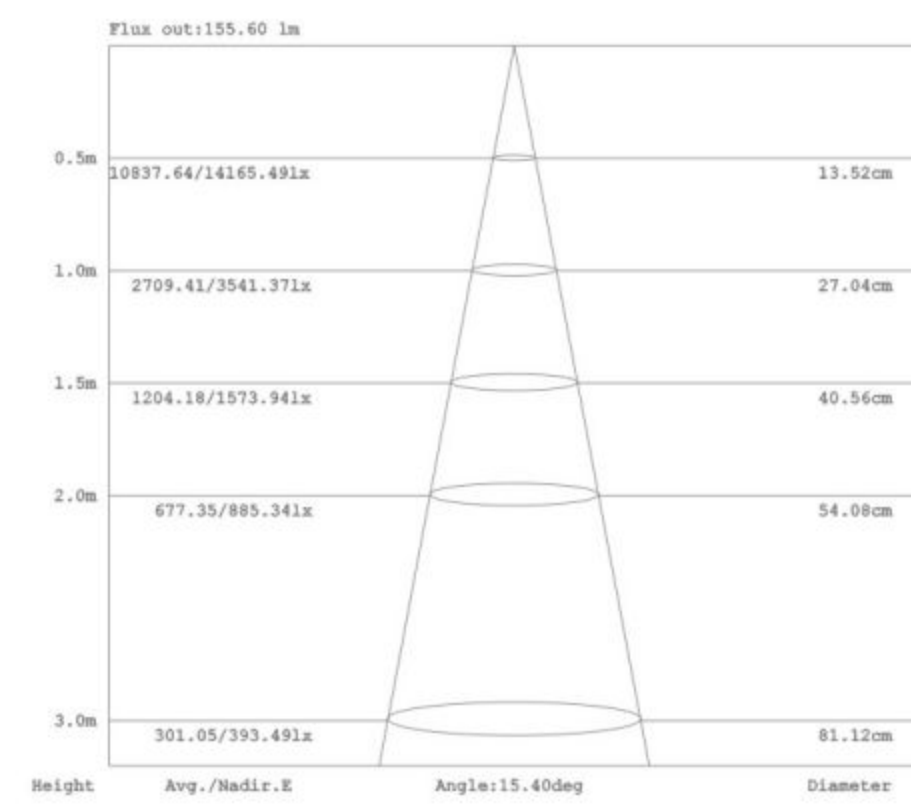
LED: LUMINUS 3000K CRI 90
POWER: 15.6W
OPTIC: 18°
OUTPUT: 997Lm
CABLE/CLASS: H05RN-F 3*0.75mm²
DIMENSION: Ø100*105mm
HOLE SIZE: /

HM
220-240VAC 731915

LED: CREE 3000K CRI 80
POWER: 7.7W
OPTIC: 15°
OUTPUT: 479Lm
CABLE/CLASS: H05RN-F 3*0.75mm²
DIMENSION: Ø100*600mm
HOLE SIZE: /

HM+
220-240VAC 731615

LED: LUMINUS 3000K CRI 80
POWER: 15.6W
OPTIC: 18°
OUTPUT: 997Lm
CABLE/CLASS: H05RN-F 3*0.75mm²
DIMENSION: Ø100*600mm
HOLE SIZE: /

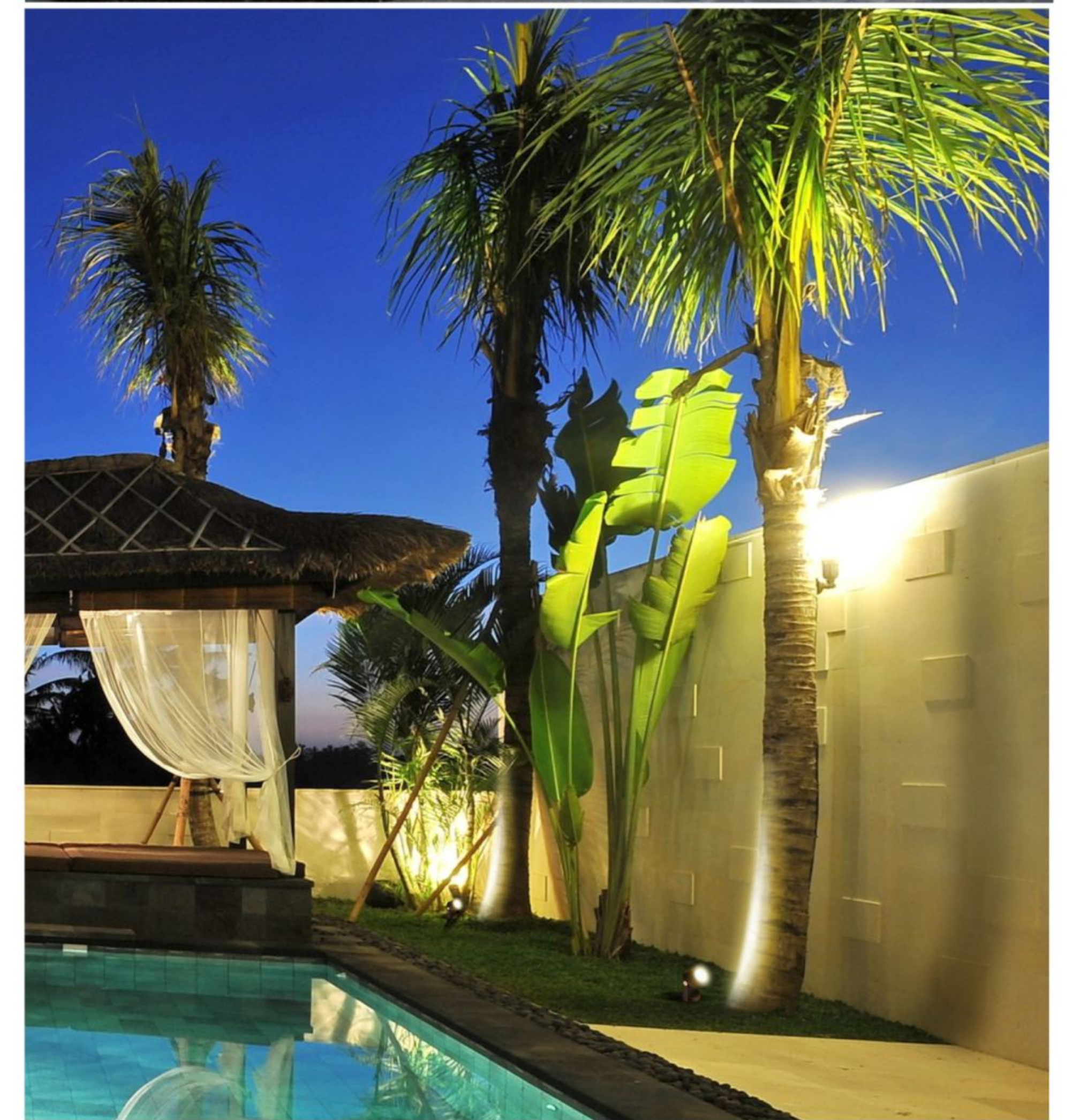
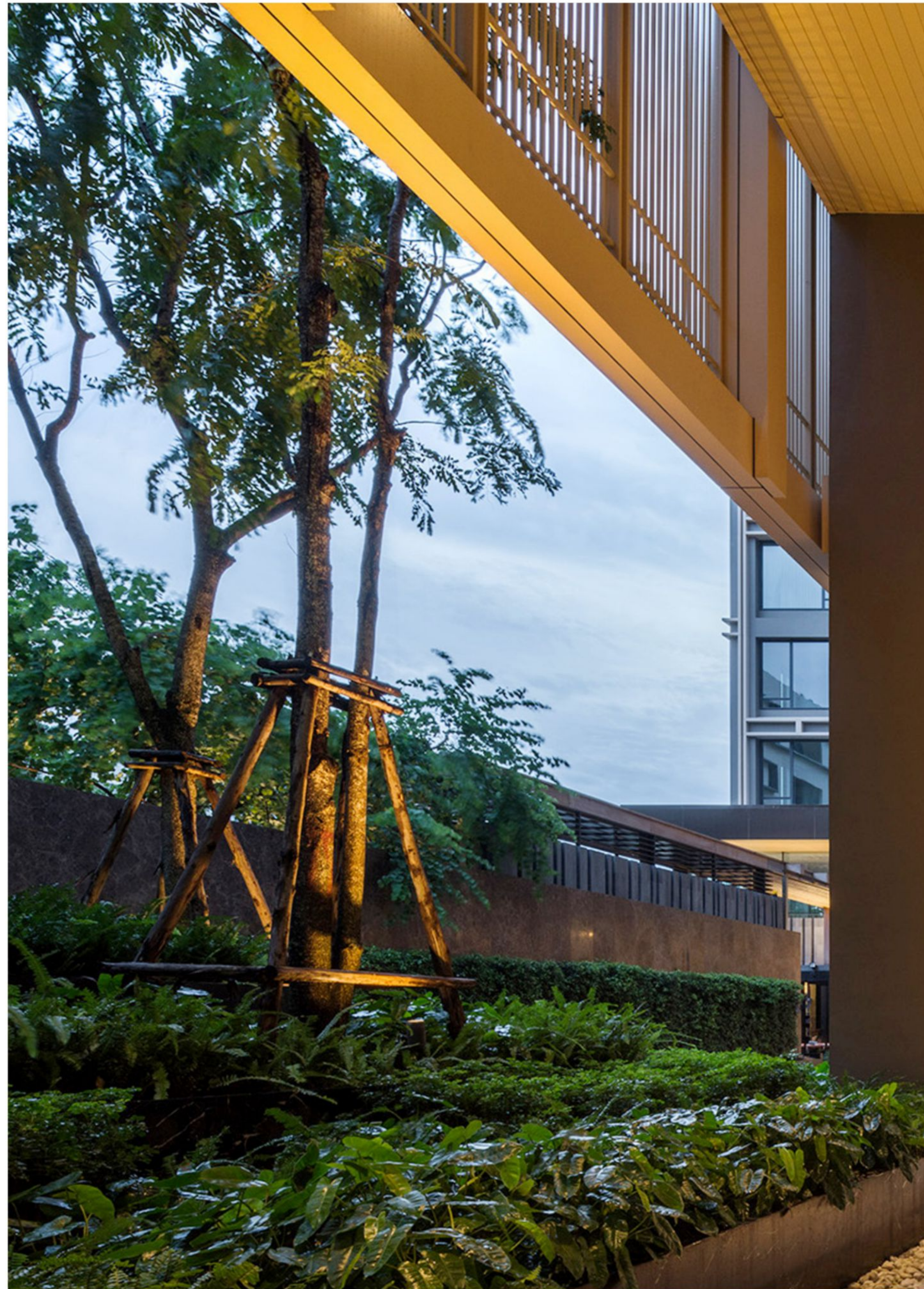


COLOR FINISHINGS:



COLOR FINISHINGS:





GUARDIAN

Flexibility, elegance and usability are the key words to describe GUARDIAN collection. GUARDIAN is ideal to illuminate trees, sculptures or facades. This miniature 2W lamp can make real miracles. Available with base or spike installation.

© CE IP65 3VDC 700mA

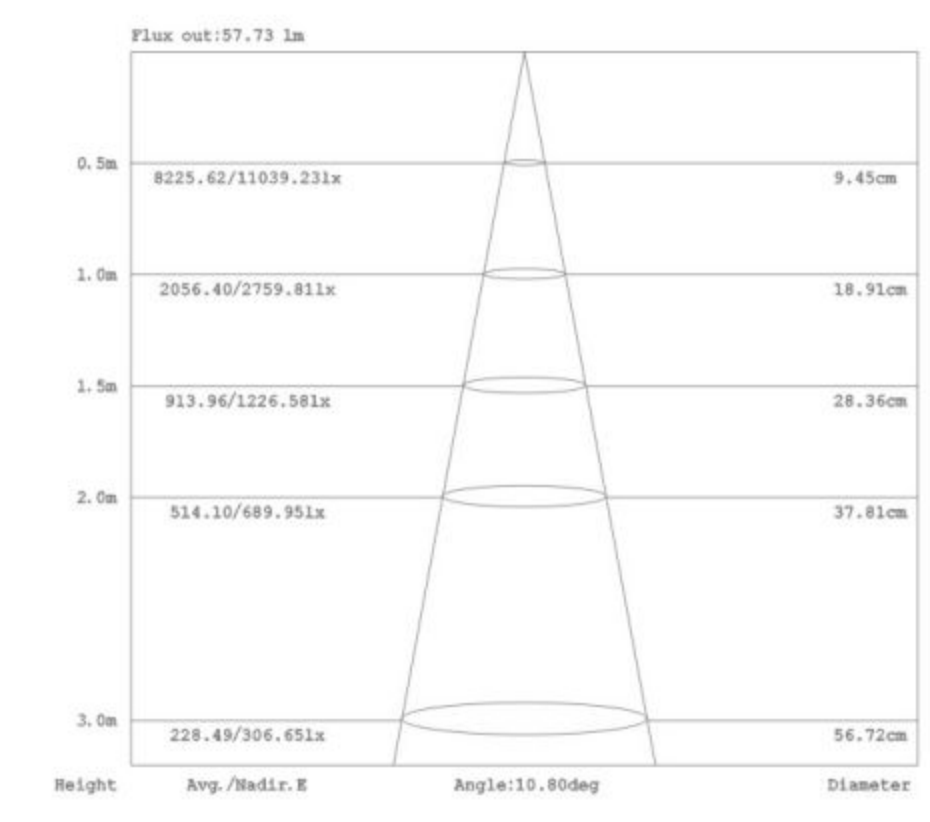
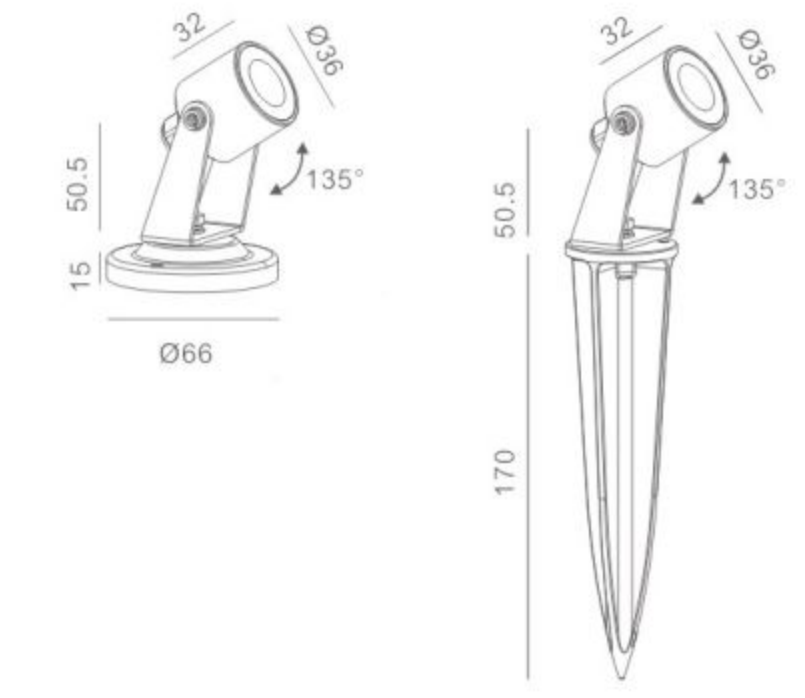
GUARDIAN



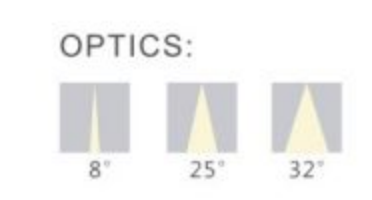
GUARDIAN

3VDC 700mA 730917

LED: OSRAM 3000K CRI 80
 POWER: 2.5W
 OPTIC: 11°
 OUTPUT: 156Lm
 CABLE/CLASS: H05RN-F 2*0.75mm²
 DIMENSION: Ø36*32*50.5mm
 HOLE SIZE: /



OPTIONS:



COLOR FINISHINGS:





PICARD

This square shaped flood light is perfect for illuminating trees, sculptures, facades and other objects of the landscape.
 RGB 3in1 is available for choice.
 Could be installed on the ground or on the wall.
 Spike and mounting base are both available.

© CE IP65 24VDC

PICARD
S DC



PAGE 99

PICARD
M DC / M RGB



PAGE 100

PICARD
L DC / L RGB



PAGE 101



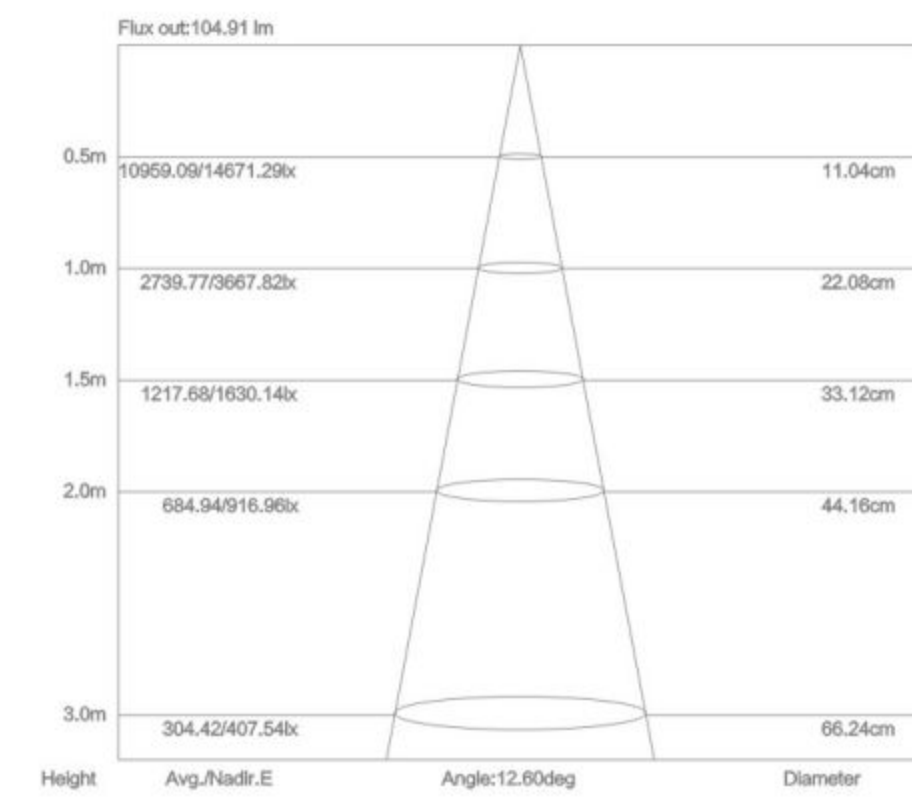
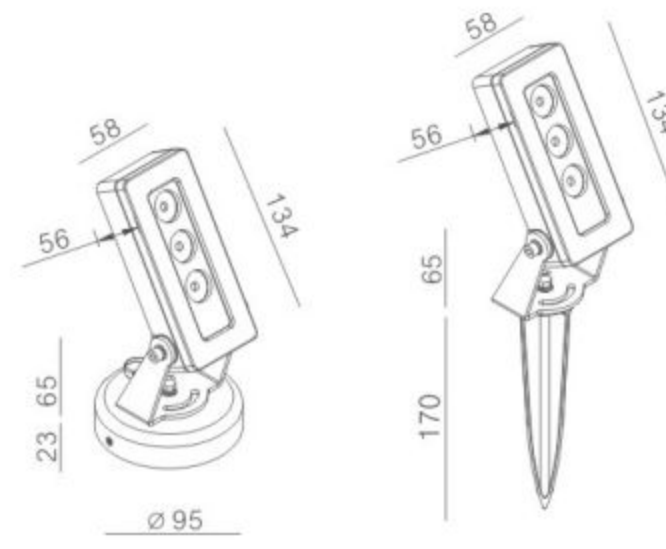
S DC



M DC / M RGB

24VDC 812811A

LED: OSRAM 3000K CRI 80
 POWER: 3W
 OPTIC: 12°
 OUTPUT: 256Lm
 CABLE/CLASS: H05RN-F 2*0.75mm²
 DIMENSION: 134*58*56mm
 HOLE SIZE: /



OPTIONS:

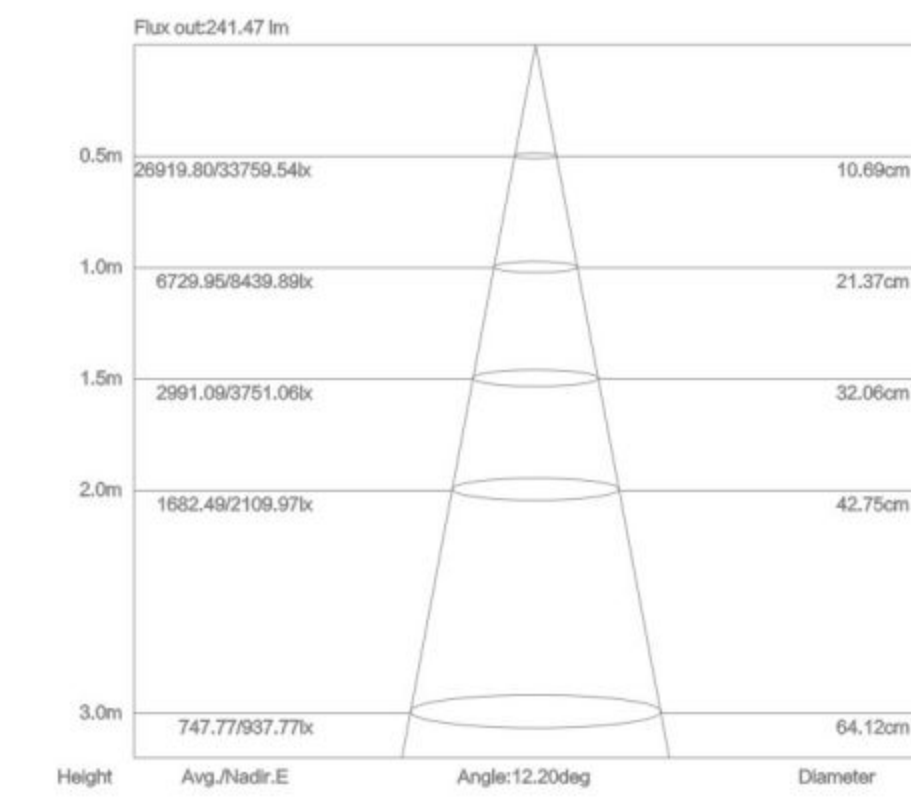
OPTICS:
 12°

COLOR FINISHINGS:

PGY

24VDC 813211A

LED: OSRAM 3000K CRI 80
 POWER: 6W
 OPTIC: 12°
 OUTPUT: 553Lm
 CABLE/CLASS: H05RN-F 2*0.75mm²
 DIMENSION: 134*87*56mm
 HOLE SIZE: /



OPTIONS:

OPTICS:
 12°

COLOR FINISHINGS:

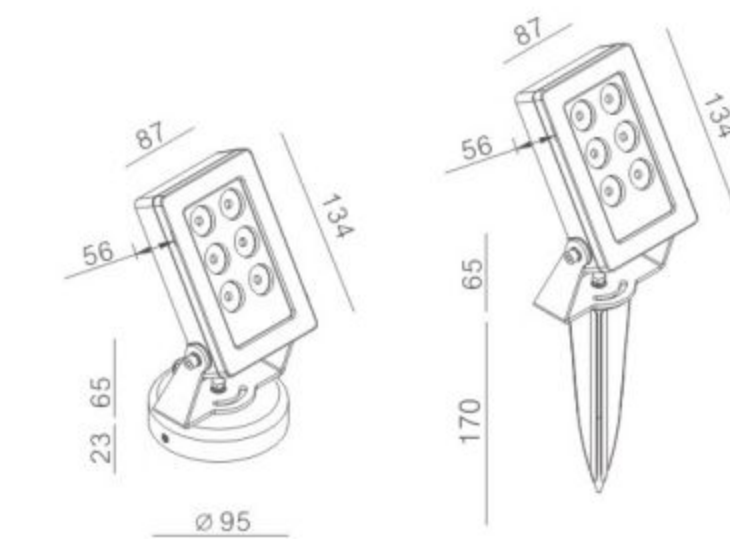
PGY

24VDC RGB 3IN1 8133314

LED: EDISON RGB 3IN1
 POWER: 16.8W
 OPTIC: 25°
 CABLE/CLASS: H05RN-F 4*0.75mm²
 DIMENSION: 134*87*56mm
 HOLE SIZE: /

OPTIONS:

OPTICS:
 25°





L DC / L RGB

24VDC

813611A

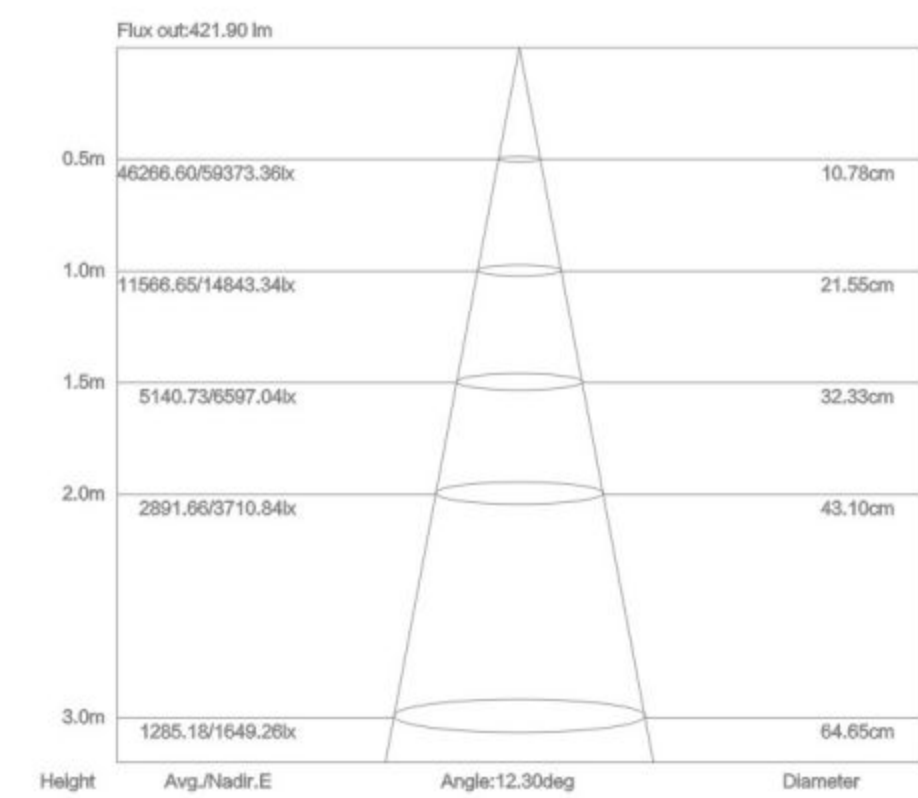
LED: OSRAM 3000K CRI 80
 POWER: 12W
 OPTIC: 12°
 OUTPUT: 1093Lm
 CABLE/CLASS: H05RN-F 2*0.75mm²
 DIMENSION: 134*143*56mm
 HOLE SIZE: /

24VDC RGB 3IN1

813714

LED: EDISON RGB 3IN1
 POWER: 33.6W
 OPTIC: 25°
 CABLE/CLASS: H05RN-F 4*0.75mm²
 DIMENSION: 134*143*56mm
 HOLE SIZE: /

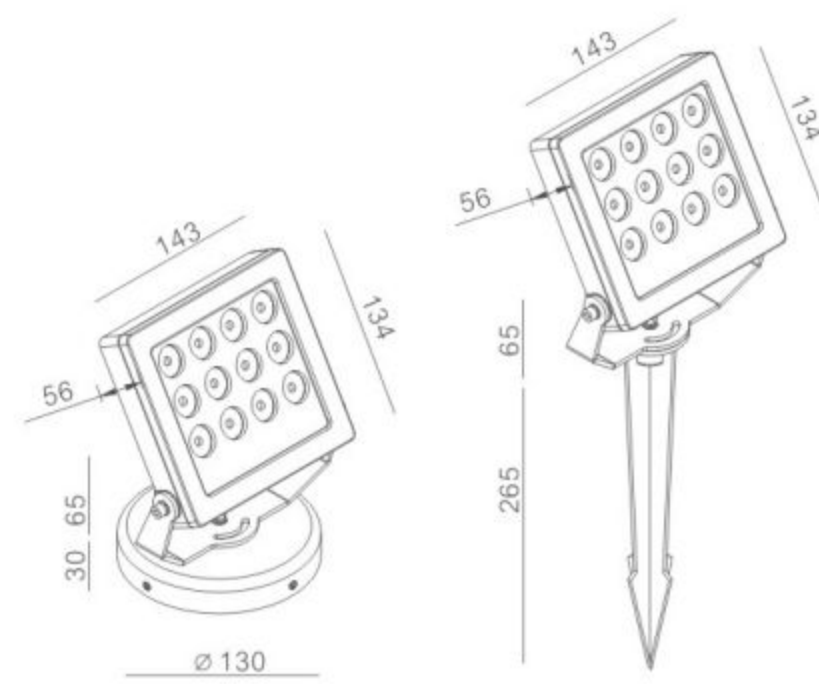
OPTIONS:

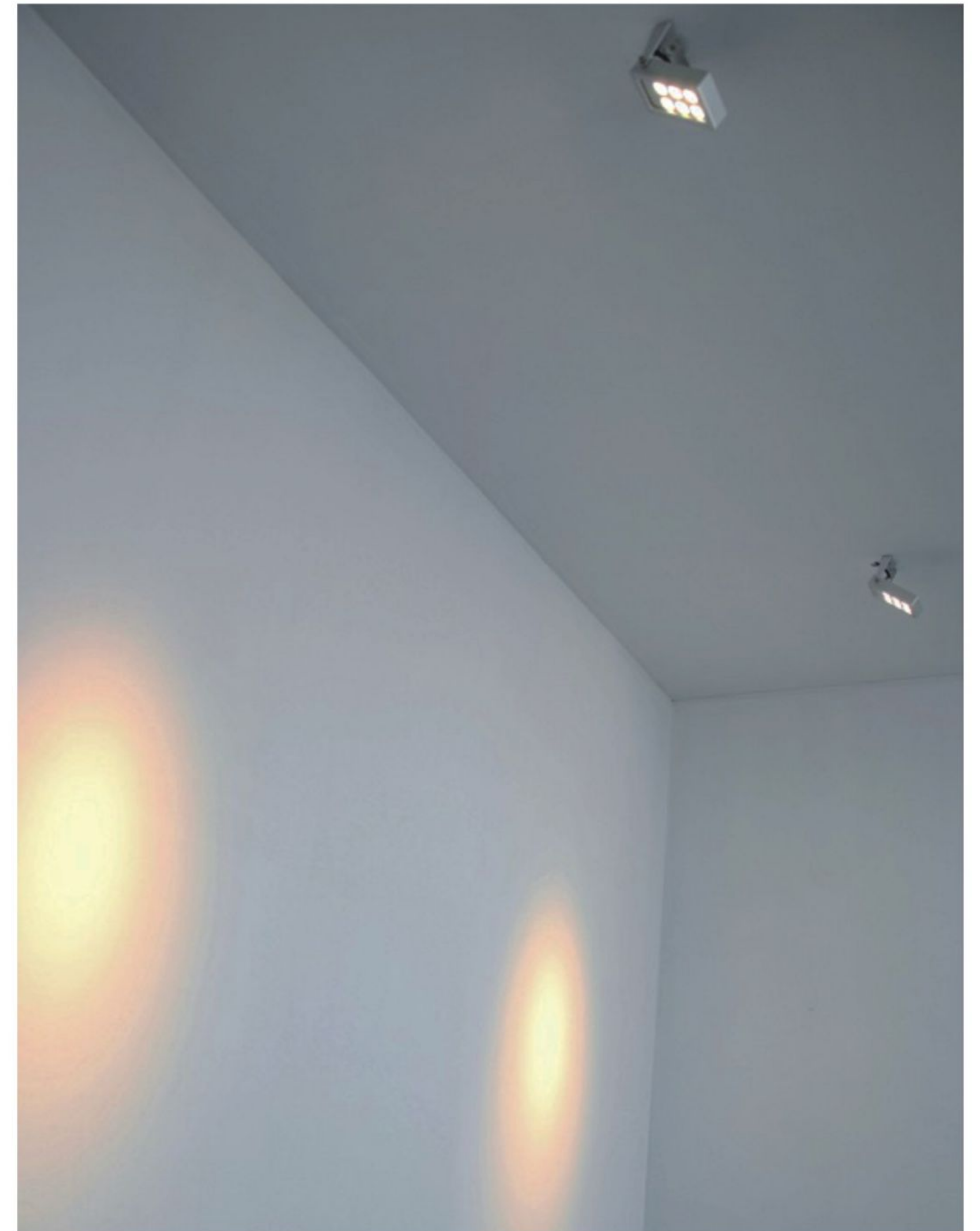


OPTIONS:



COLOR FINISHINGS:





PICTOR

Flexibility, elegance and usability are key words to describe FLUA classic luminaire PICTOR. This splendid wide-range collection has been already specified in many outdoor projects worldwide.

Flexible to use due to its adjustable head, PICTOR was specially designed to provide perfect light effect for any landscape.

Best choice for walkways, trees, sculptures or other landscape applications.

Available in 5 different dimensions, each model could be installed with spike or installation plate.

105



PICTOR
SS_{DC} / SS / SS_{RGB}



PAGE 107

PICTOR
S_{DC} / S



PAGE 108

PICTOR 1.1
M_{DC} / M



PAGE 109

PICTOR 1.1
L_{DC} / L



PAGE 110

PICTOR
XL_{DC} / XL



PAGE 111

106



SS DC / SS / SS RGB



S DC / S

24VDC 710211A

LED: OSRAM 3000K CRI 80
 POWER: 2.4W
 OPTIC: 25°
 OUTPUT: 124Lm
 CABLE/CLASS: H05RN-F 2*0.75mm²
 DIMENSION: Ø48*100*74mm
 HOLE SIZE: /

100-240VAC 710311A

LED: OSRAM 3000K CRI 80
 POWER: 2.6W
 OPTIC: 25°
 OUTPUT: 124Lm
 CABLE/CLASS: H05RN-F 3*0.75mm²
 DIMENSION: Ø48*100*74mm
 HOLE SIZE: /

24VDC RGB 3IN1 710414

LED: EDISON RGB 3IN1
 POWER: 4.1W
 OPTIC: 20°
 CABLE/CLASS: H05RN-F 4*0.75mm²
 DIMENSION: Ø48*100*74mm
 HOLE SIZE: /

OPTIONS:

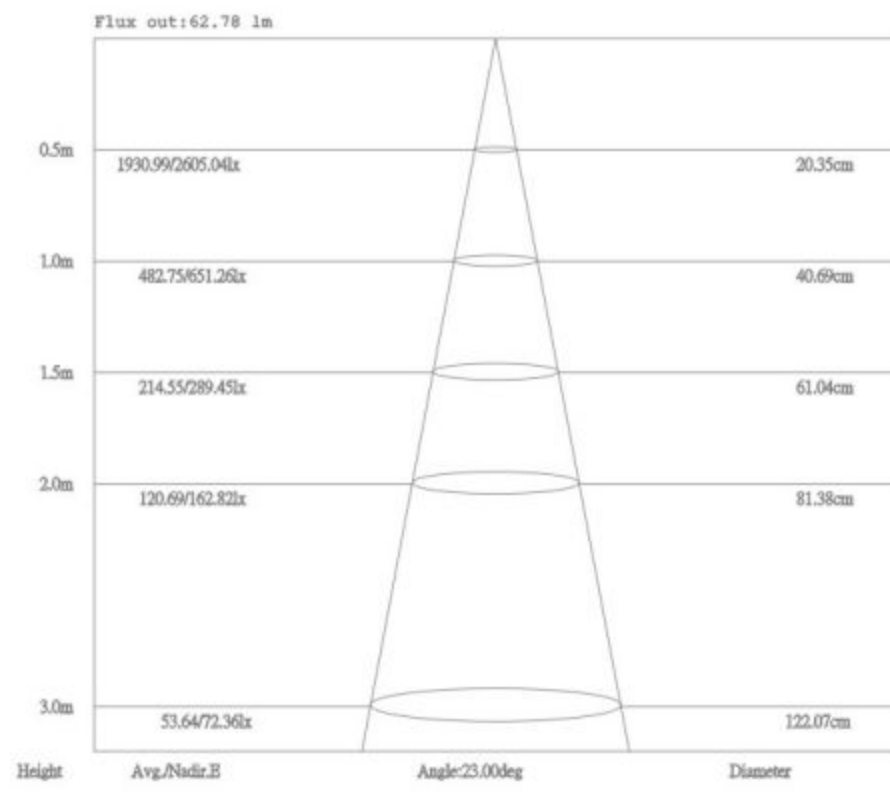


24VDC 721818

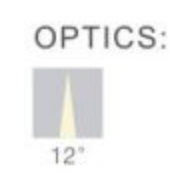
LED: LUMINUS 3000K CRI 80
 POWER: 5.2W
 OPTIC: 25°
 OUTPUT: 404Lm
 CABLE/CLASS: H05RN-F 2*0.75mm²
 DIMENSION: Ø62*110*80mm
 HOLE SIZE: /

100-240VAC 721918

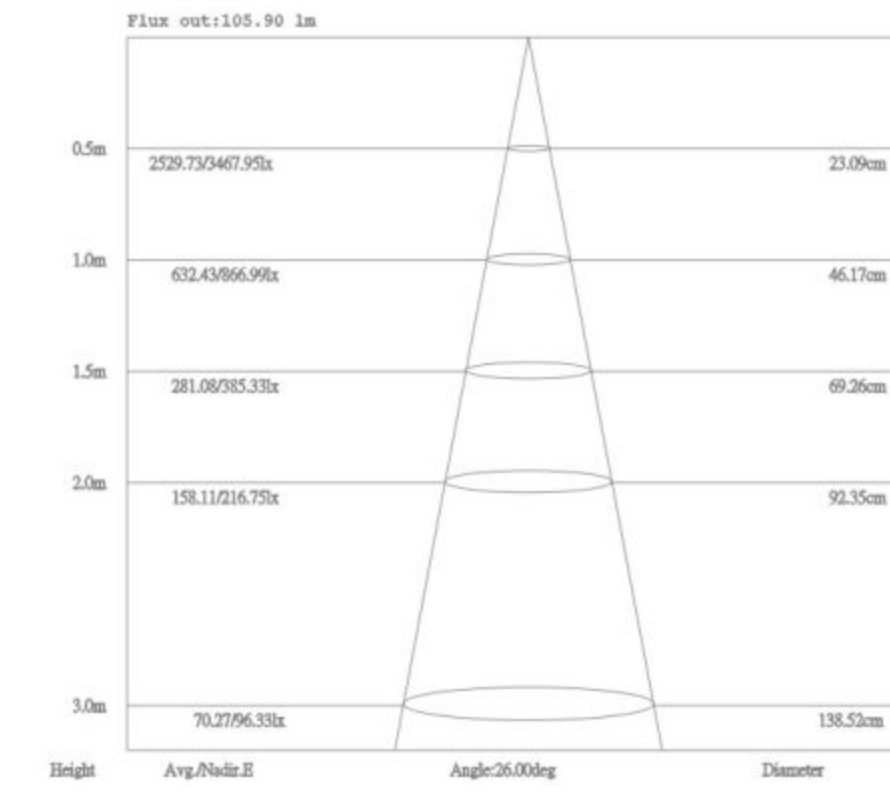
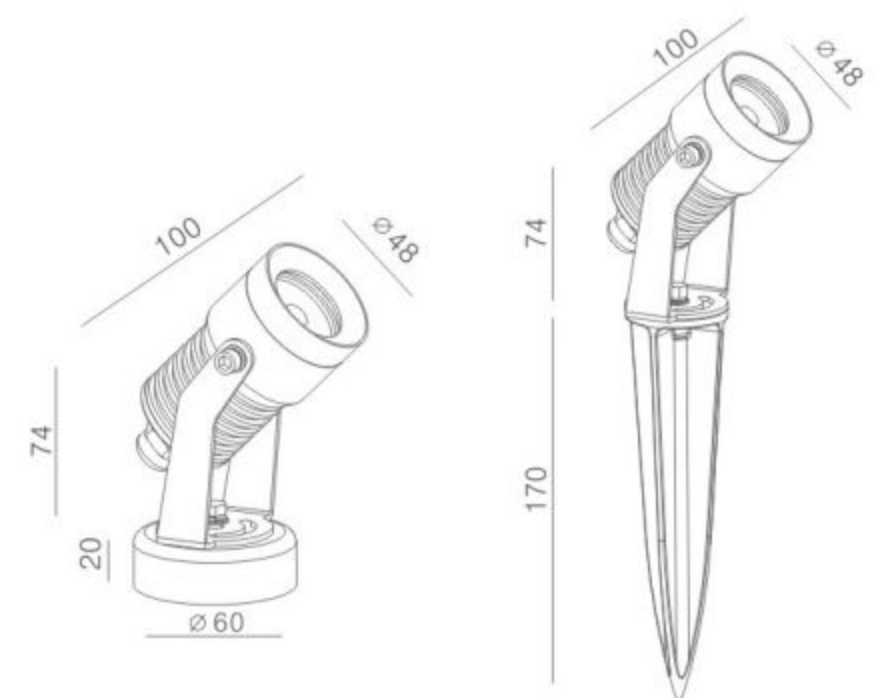
LED: LUMINUS 3000K CRI 80
 POWER: 5.4W
 OPTIC: 25°
 OUTPUT: 404Lm
 CABLE/CLASS: H05RN-F 3*0.75mm²
 DIMENSION: Ø62*110*80mm
 HOLE SIZE: /



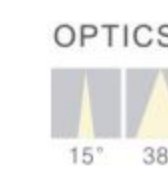
OPTIONS:



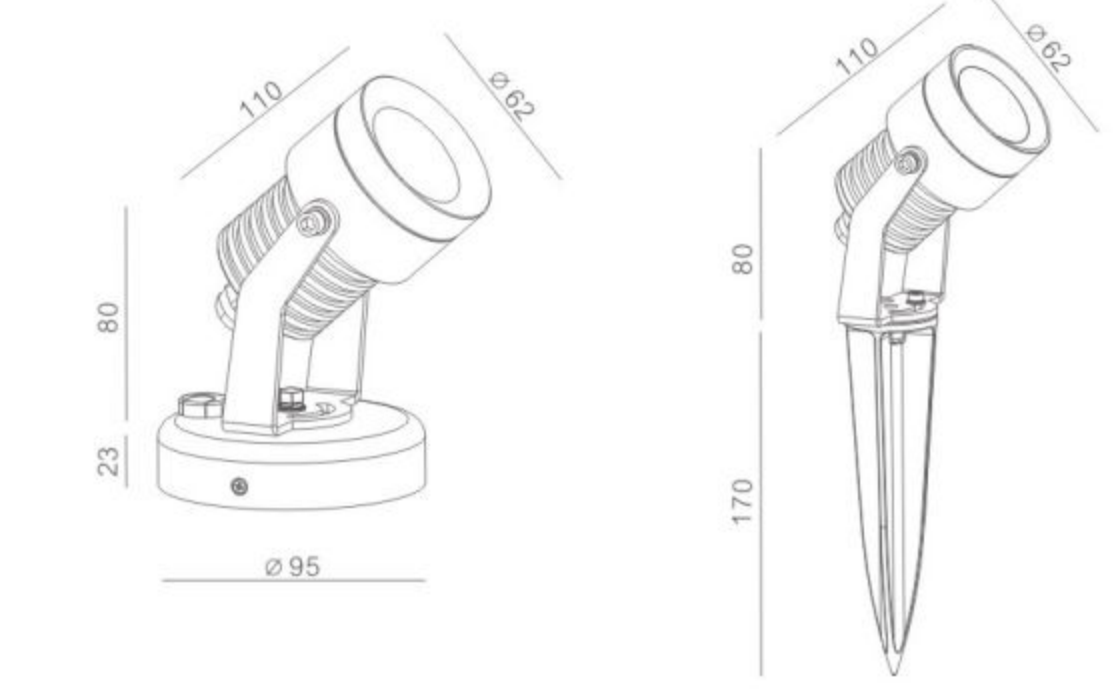
COLOR FINISHINGS:



OPTIONS:



COLOR FINISHINGS:



PICTOR 1.1



M DC / M

PICTOR 1.1
24VDC 732615

LED: LUMINUS 2700K CRI 80
POWER: 12.7W
OPTIC: 34°
OUTPUT: 952Lm
CABLE/CLASS: H05RN-F 2*0.75mm²
DIMENSION: Ø75*136*98mm
HOLE SIZE: /

PICTOR 1.1
220-240VAC 732515DT

LED: LUMINUS 2700K CRI 80
POWER: 14W
OPTIC: 34°
OUTPUT: 962Lm
CABLE/CLASS: H05RN-F 3*0.75mm²
DIMENSION: Ø75*136*98mm
HOLE SIZE: /

PICTOR 1.1



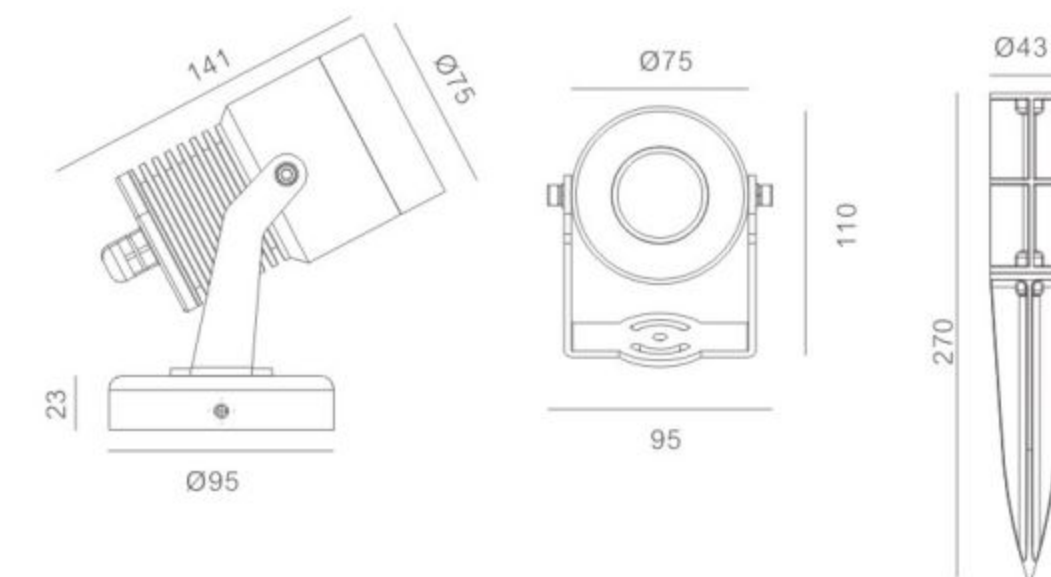
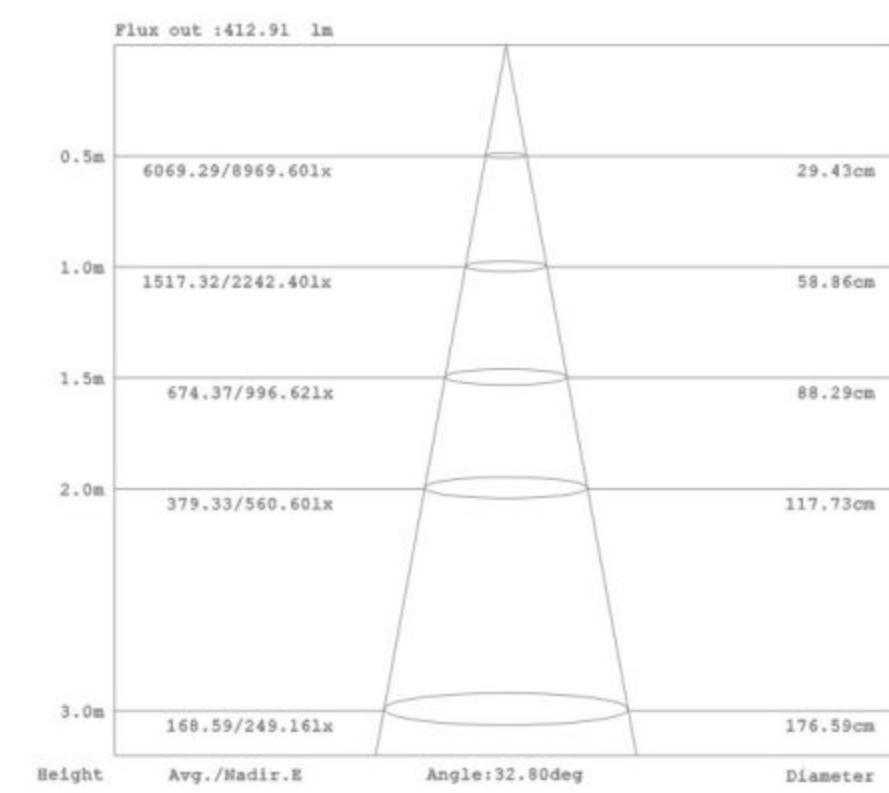
L DC / L

PICTOR 1.1
24VDC 732815

LED: LUMINUS 2700K CRI 80
POWER: 23.54W
OPTIC: 36°
OUTPUT: 2024Lm
CABLE/CLASS: H05RN-F 2*0.75mm²
DIMENSION: Ø102*151*123mm
HOLE SIZE: /

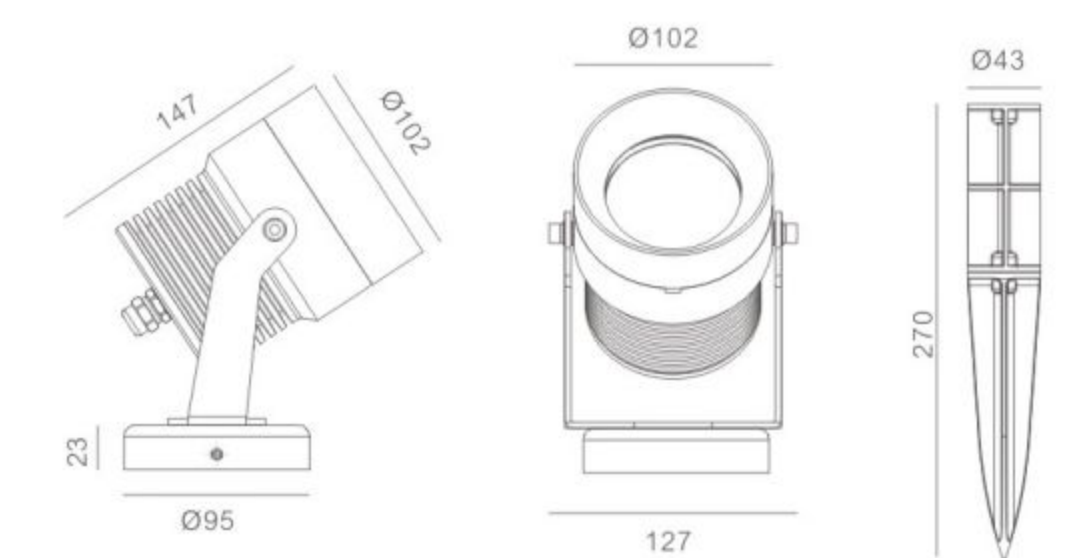
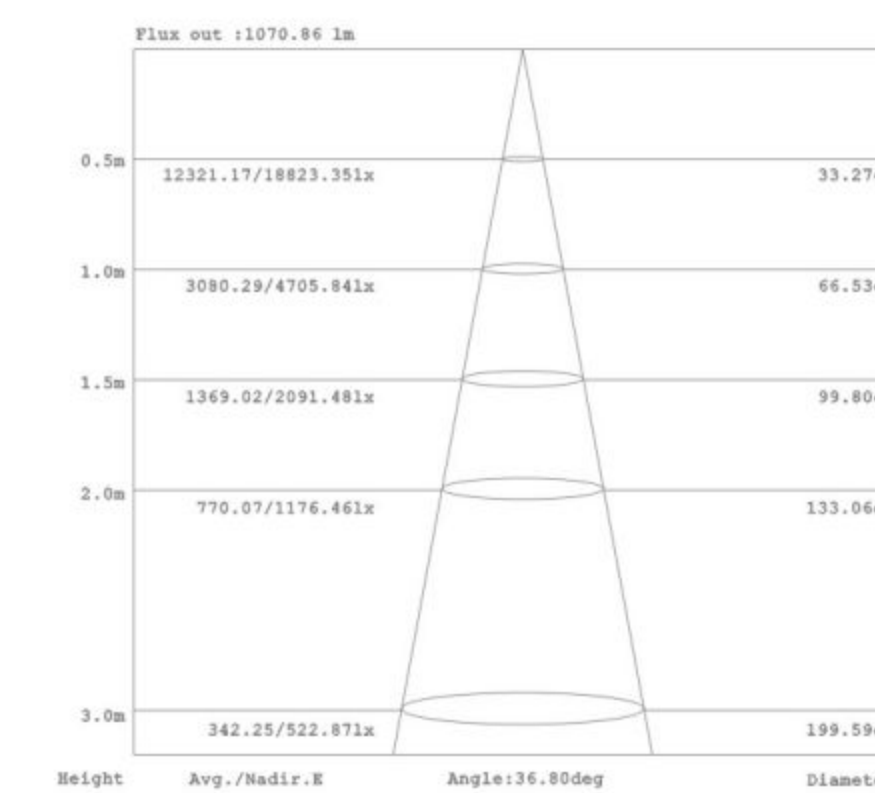
PICTOR 1.1
100-240VAC 732715A

LED: LUMINUS 2700K CRI 80
POWER: 26W
OPTIC: 36°
OUTPUT: 2191Lm
CABLE/CLASS: H05RN-F 3*0.75mm²
DIMENSION: Ø102*151*123mm
HOLE SIZE: /



COLOR FINISHINGS:

PGY



COLOR FINISHINGS:

PGY



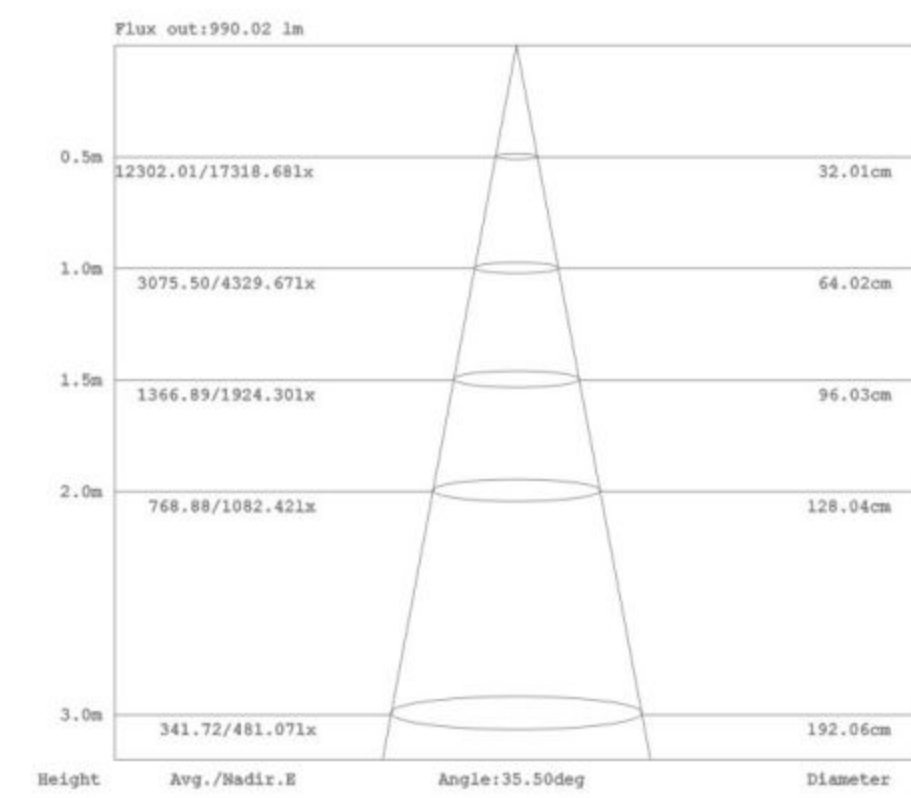
XL DC / XL

24VDC 717212B

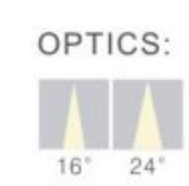
LED: LUMINUS 3000K CRI 80
 POWER: 23W
 OPTIC: 38°
 OUTPUT: 1661 Lm
 CABLE/CLASS: H05RN-F 2*0.75mm²
 DIMENSION: Ø115*173*118mm
 HOLE SIZE: /

100-240VAC 717312B

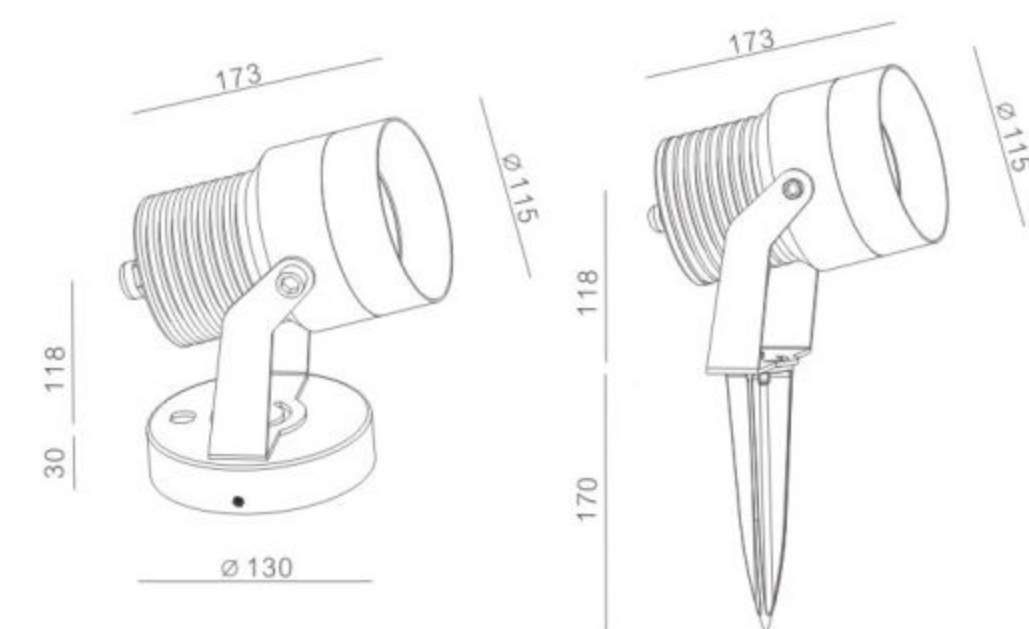
LED: LUMINUS 3000K CRI 80
 POWER: 23.6W
 OPTIC: 38°
 OUTPUT: 1661 Lm
 CABLE/CLASS: H05RN-F 3*0.75mm²
 DIMENSION: Ø115*173*118mm
 HOLE SIZE: /



OPTIONS:



COLOR FINISHINGS:







QUARTO

QUARTO is the new concept of floodlights for outdoor applications. This splendid square shaped floodlight is recommended for garden and parks. QUARTO creates real miracles, emphasizing objects, like sculptures, trees and bushes in the darkness.

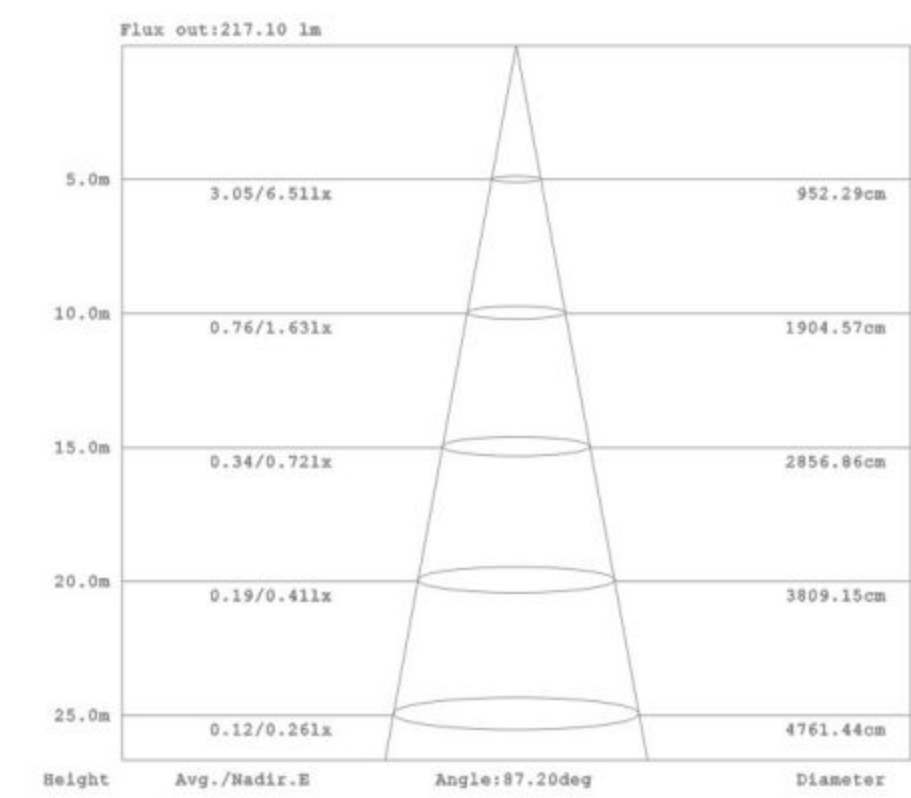
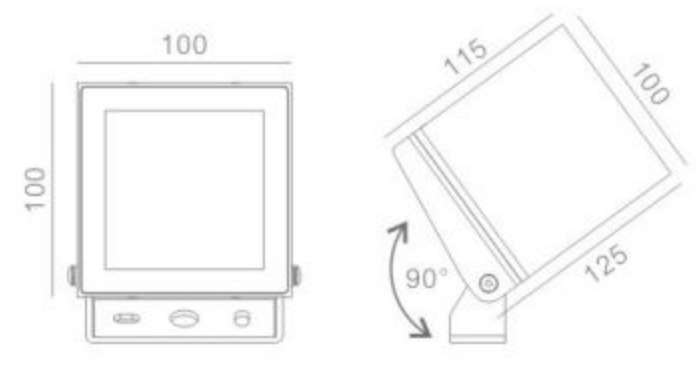







QUARTO

100-240VAC 731216A 
 LED: LUMILEDS 3000K CRI 90
 POWER: 6.4W
 OPTIC: F
 OUTPUT: 323Lm
 CABLE/CLASS: H05RN-F 3*0.75mm²
 DIMENSION: 100*100*147mm
 HOLE SIZE: /



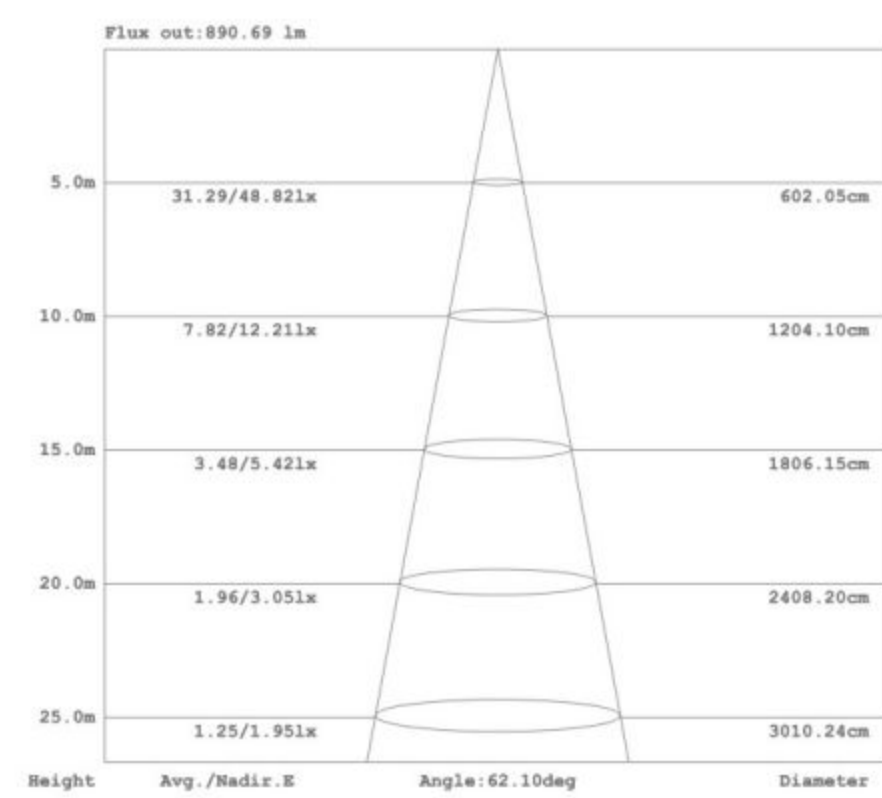
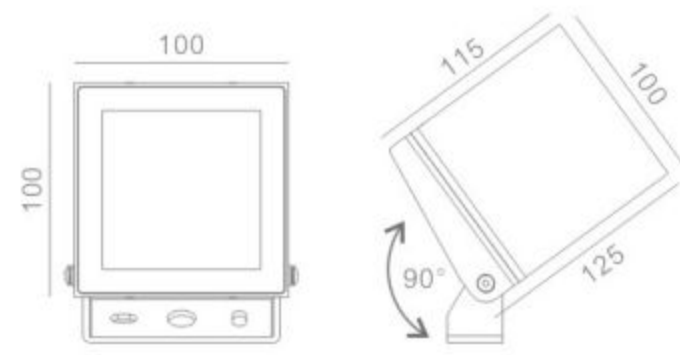
COLOR FINISHINGS:
 PGY



SPOT

100-240VAC 731216A

LED: LUMILEDS 3000K CRI 90
 POWER: 13.9W
 OPTIC: 62°
 OUTPUT: 1089Lm
 CABLE/CLASS: H05RN-F 3*0.75mm²
 DIMENSION: 100*100*147mm
 HOLE SIZE: /



COLOR FINISHINGS:

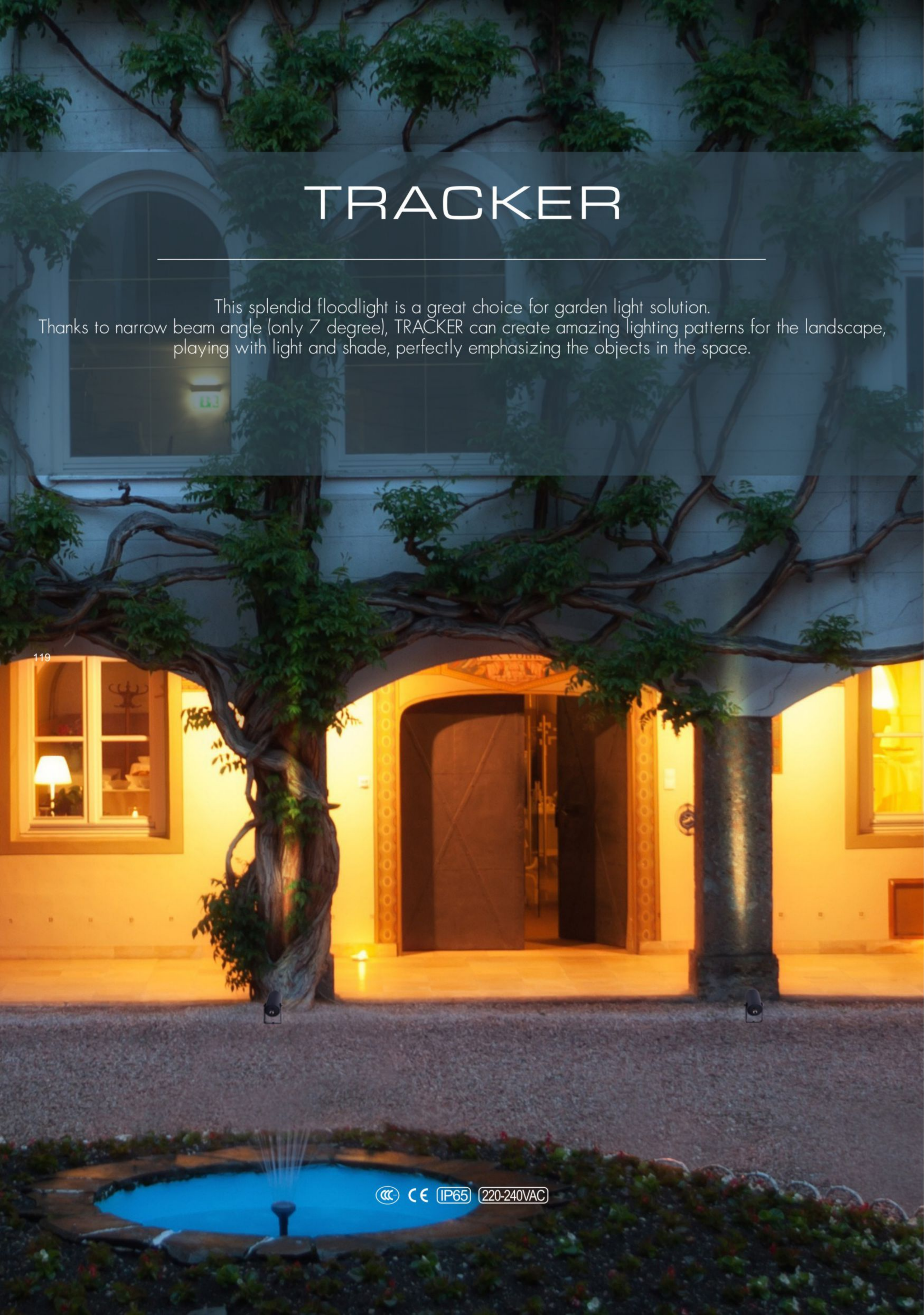
PGY



TRACKER

This splendid floodlight is a great choice for garden light solution. Thanks to narrow beam angle (only 7 degree), TRACKER can create amazing lighting patterns for the landscape, playing with light and shade, perfectly emphasizing the objects in the space.

119



CCC CE IP65 220-240VAC

TRACKER

EXTERIOR GARDEN SPOT



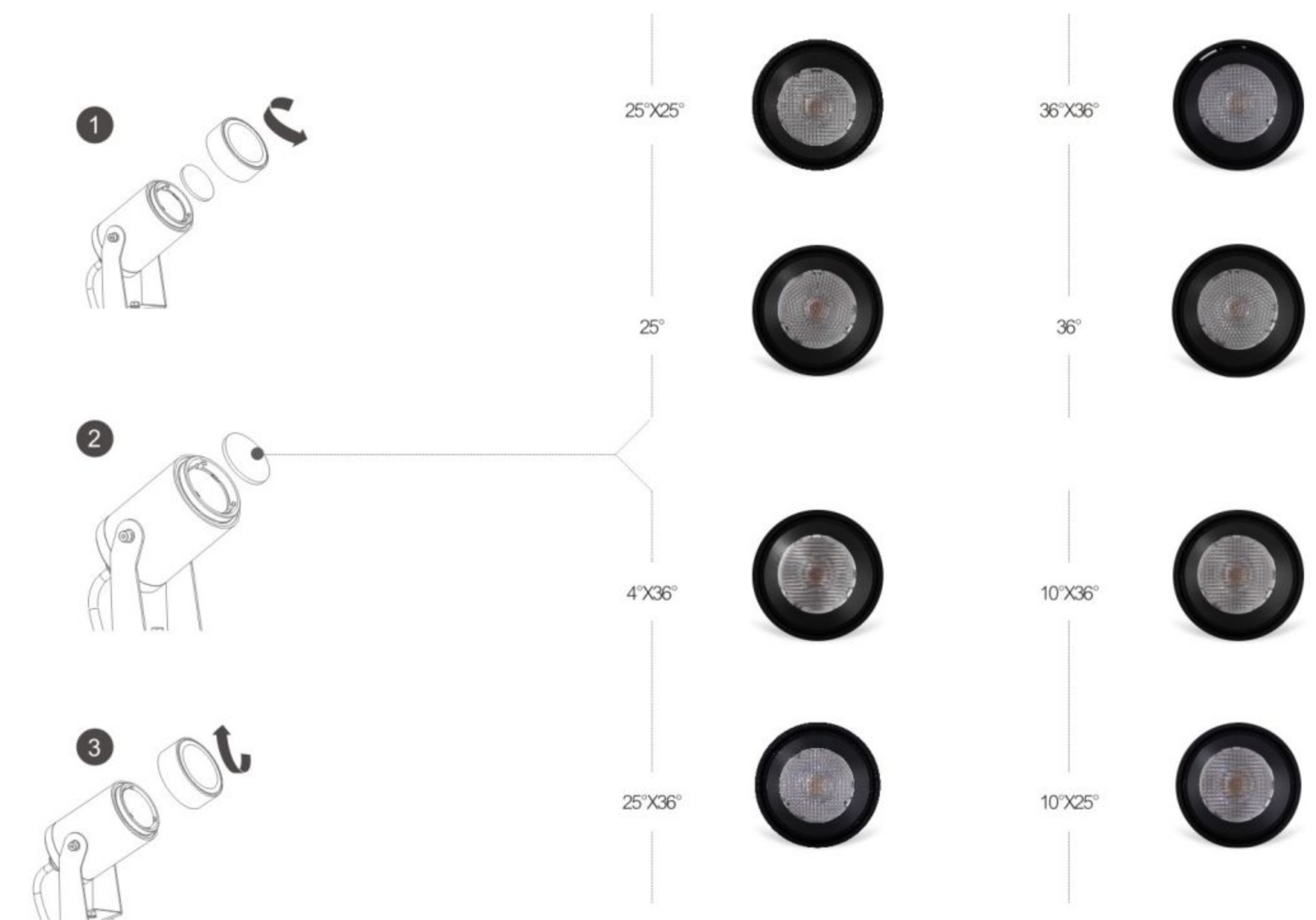
TRACKER NB



TRACKER H NB

120

OPTIONS: NB ACCESSORIES
SET OF 8
001897

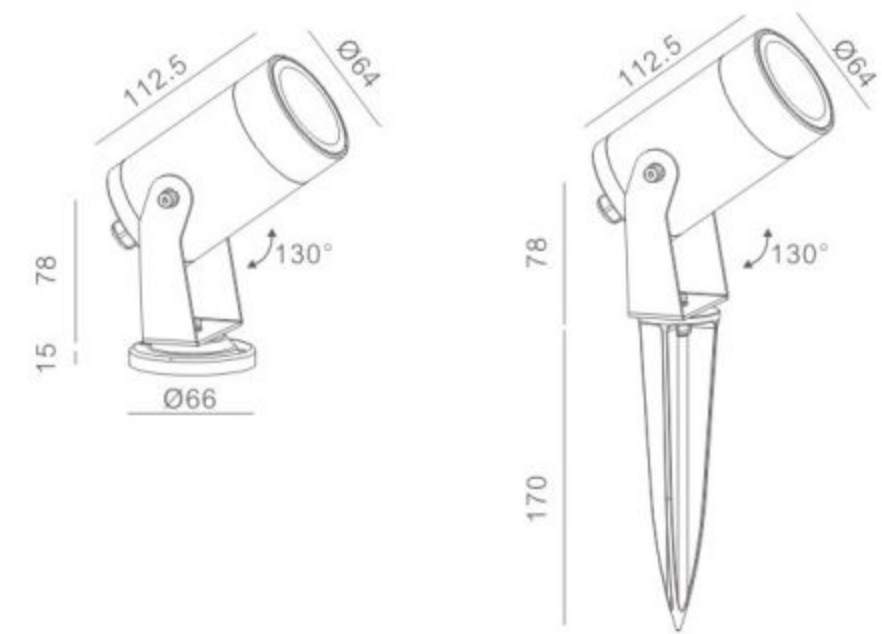


COLOR FINISHINGS:

PGY

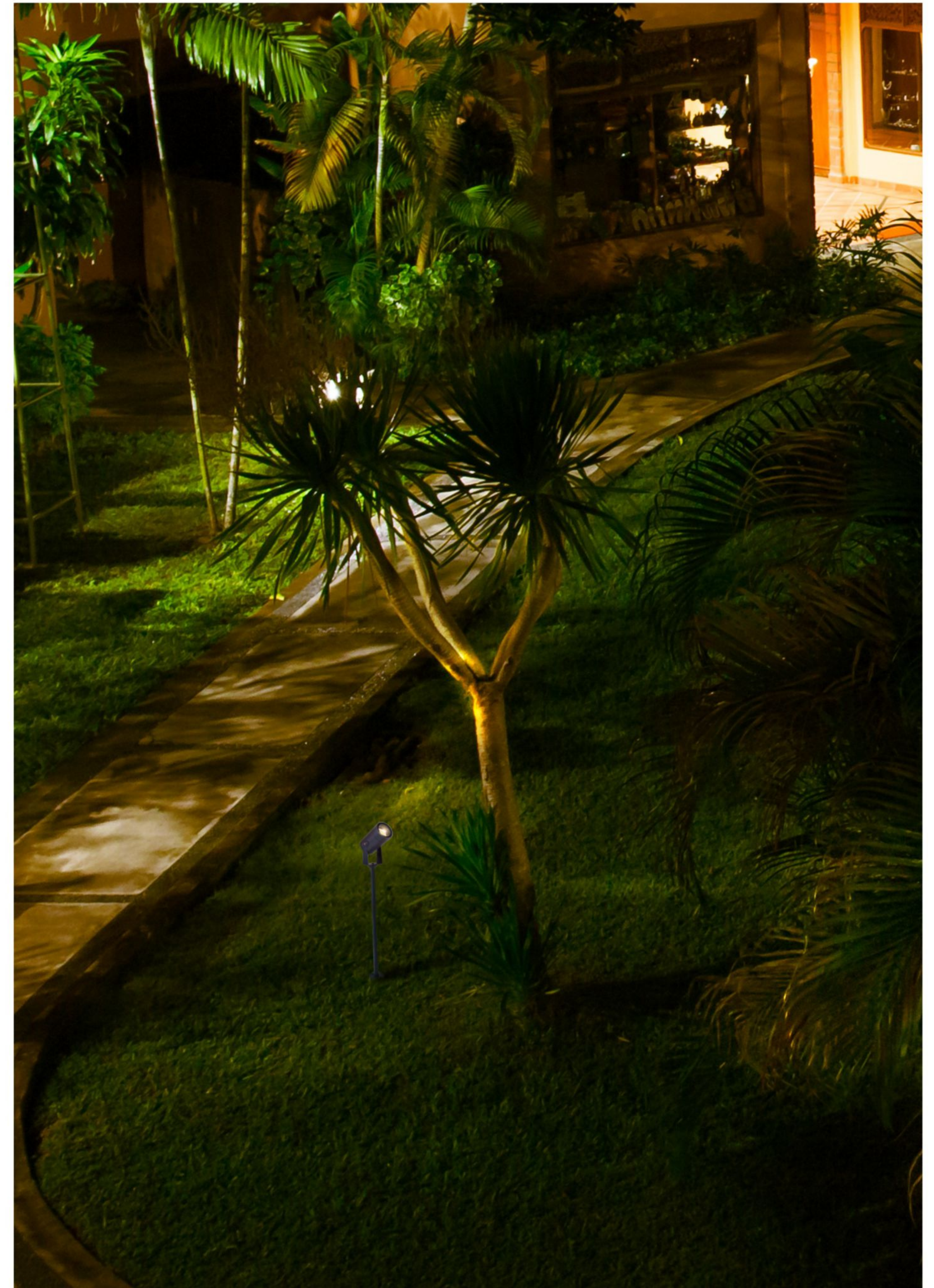
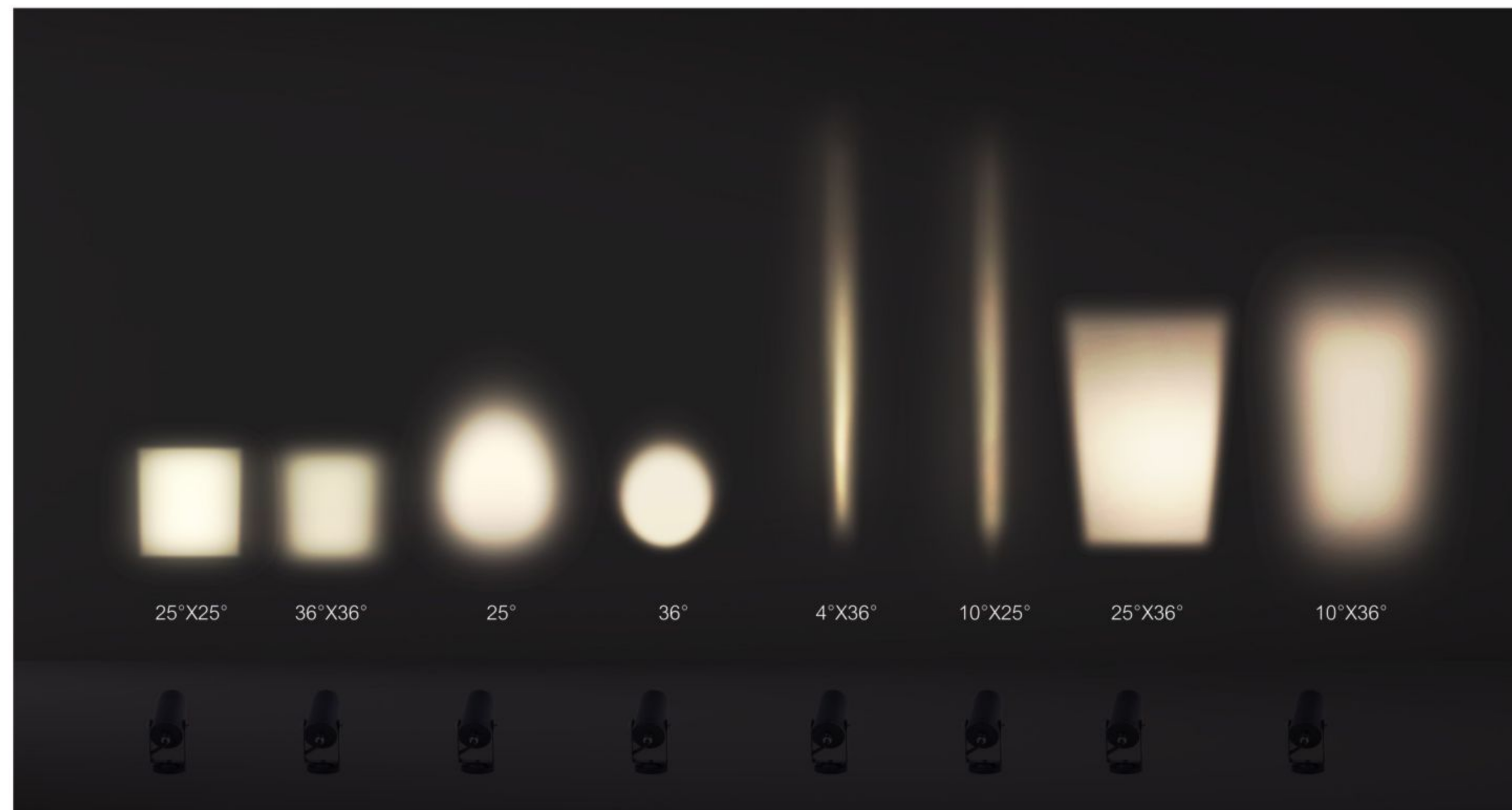
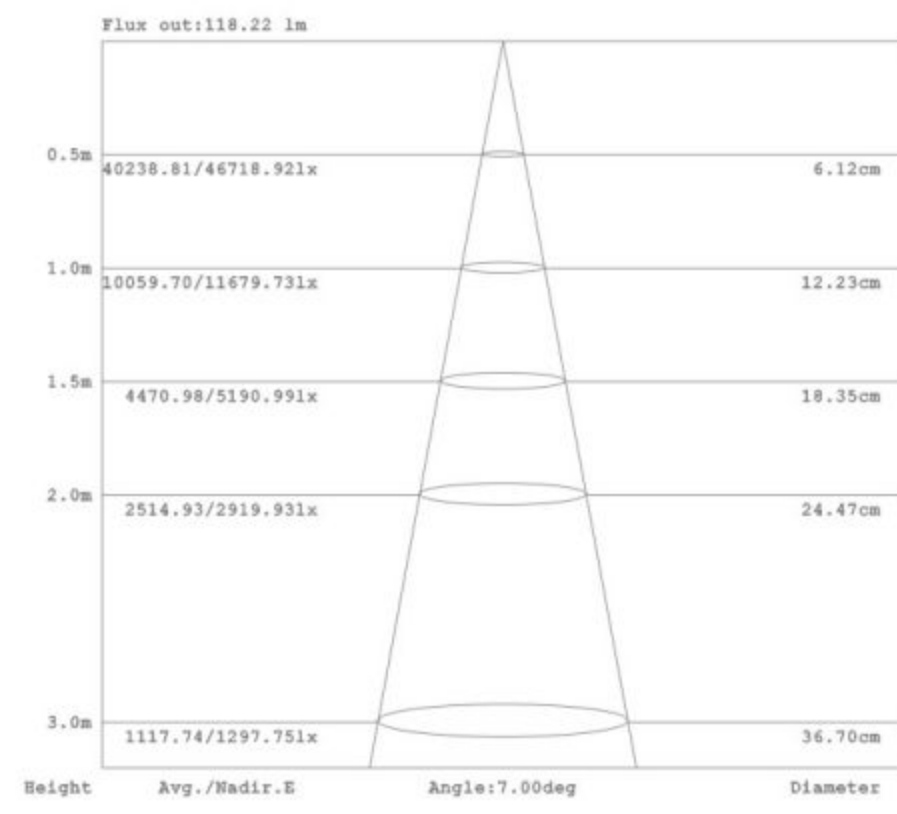
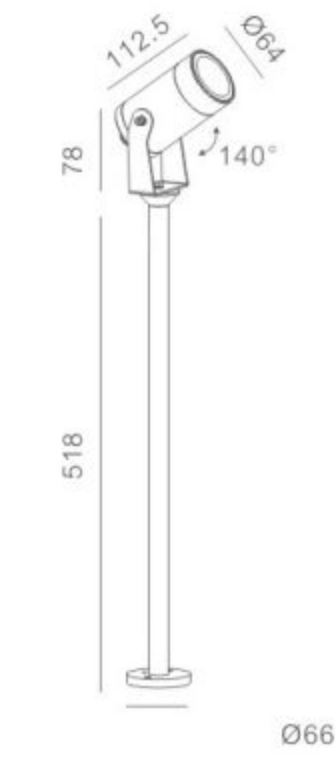
220-240VAC 731111A

LED: CREE 3000K CRI 90
 POWER: 7.3W
 OPTIC: 7°
 OUTPUT: 376Lm
 CABLE/CLASS: H05RN-F 3*0.75mm²
 DIMENSION: Ø64*130*120mm
 HOLE SIZE: /



220-240VAC 731011A

LED: CREE 3000K CRI 90
 POWER: 7.3W
 OPTIC: 7°
 OUTPUT: 376Lm
 CABLE/CLASS: H05RN-F 3*0.75mm²
 DIMENSION: Ø64*130*530mm
 HOLE SIZE: /



GARDEN SPOT (H)



BEAMER H
83



CRU H SINGLE
127



CRU H DOUBLE
128



EDEN S
133



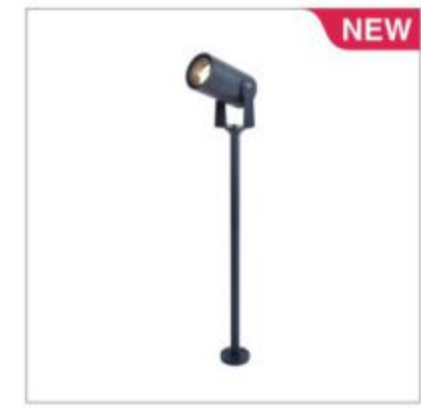
EDEN M
134



GADDIS H M
92

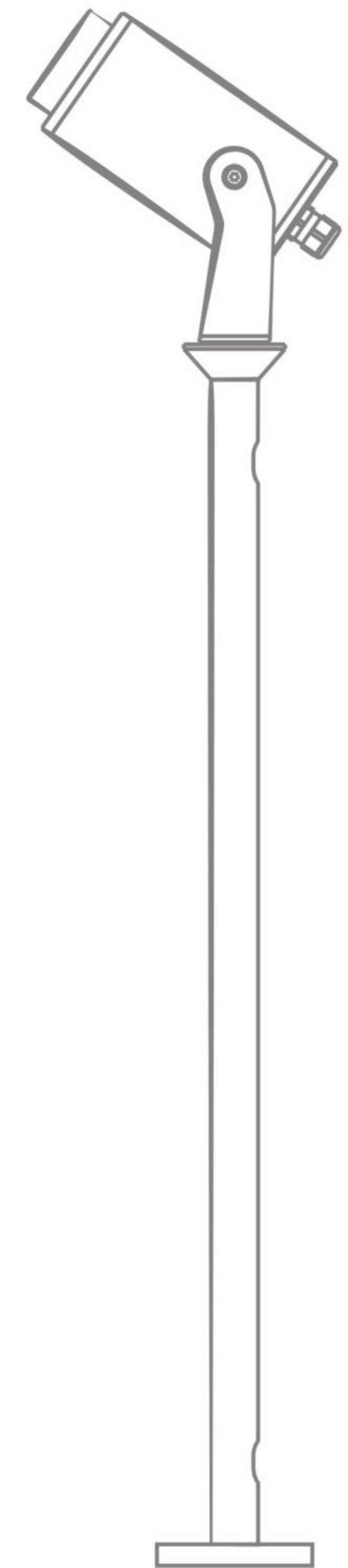


GADDIS H M+
92



TRACKER H NB
120

WWW.FLUA.COM
PERFORM YOUR LIGHT





125

CRU

Mini spot in 3W power output, appearance by sandblasting anodized treatment offers superior weatherproof effect outdoor. Either with base plate or spike, it's extremely suitable for illuminating grass and plants in low position. Free adjustment of projecting angle makes it also suitable for installation on wall to active a plain wall by the beautiful light.









CRU_{DC} / CRU / CRU_{RGB}



24VDC

700711A 

LED: OSRAM 3000K CRI 80
 POWER: 2.4W
 OPTIC: 12°
 OUTPUT: 127Lm
 CABLE/CLASS: H05RN-F 2*0.75mm²
 DIMENSION: Ø42*92*45mm
 HOLE SIZE: /

100-240VAC

701011A 

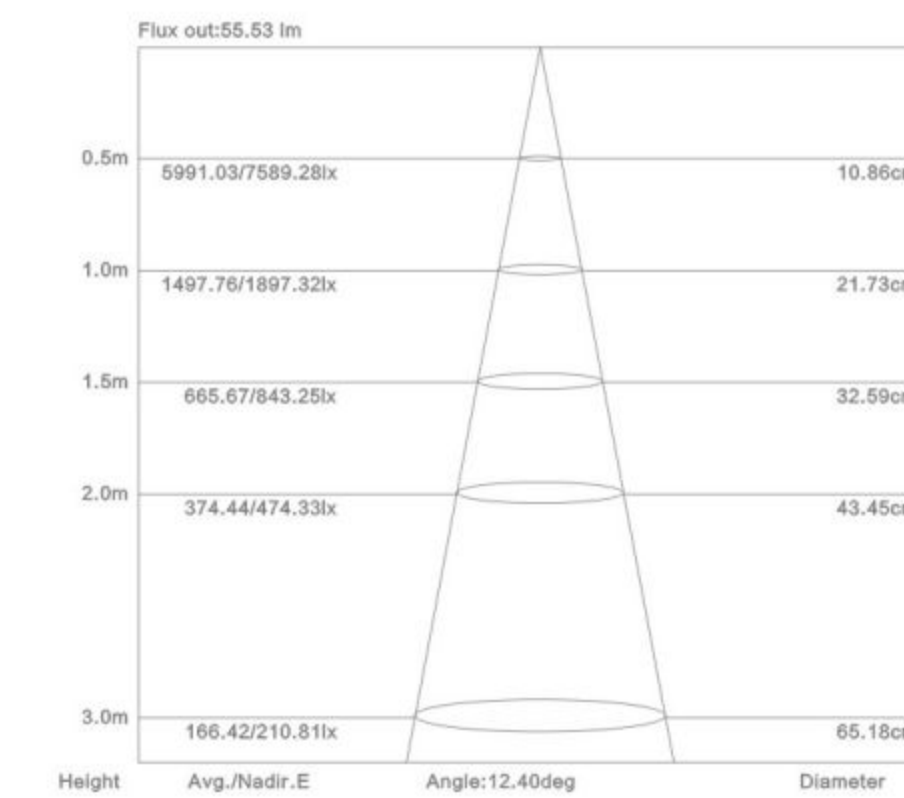
LED: OSRAM 3000K CRI 80
 POWER: 2.6W
 OPTIC: 12°
 OUTPUT: 127Lm
 CABLE/CLASS: H05RN-F 3*0.75mm²
 DIMENSION: Ø42*92*45mm
 HOLE SIZE: /

24VDC RGB 3IN1

700814 

LED: EDISON RGB 3IN1
 POWER: 4.1W
 OPTIC: 25°
 CABLE/CLASS: H05RN-F 4*0.75mm²
 DIMENSION: Ø42*92*45mm
 HOLE SIZE: /

126

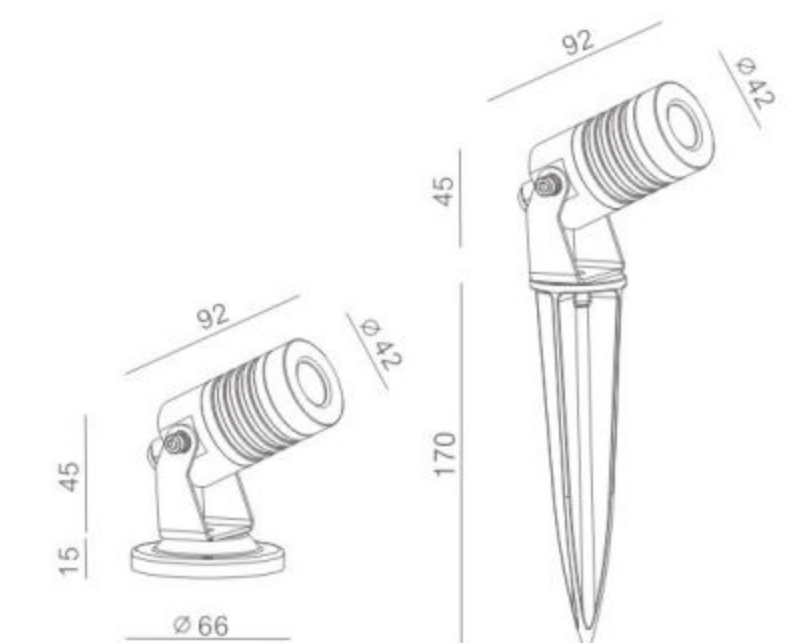


OPTIONS:

OPTICS:



COLOR FINISHINGS:





H SINGLE DC / H SINGLE



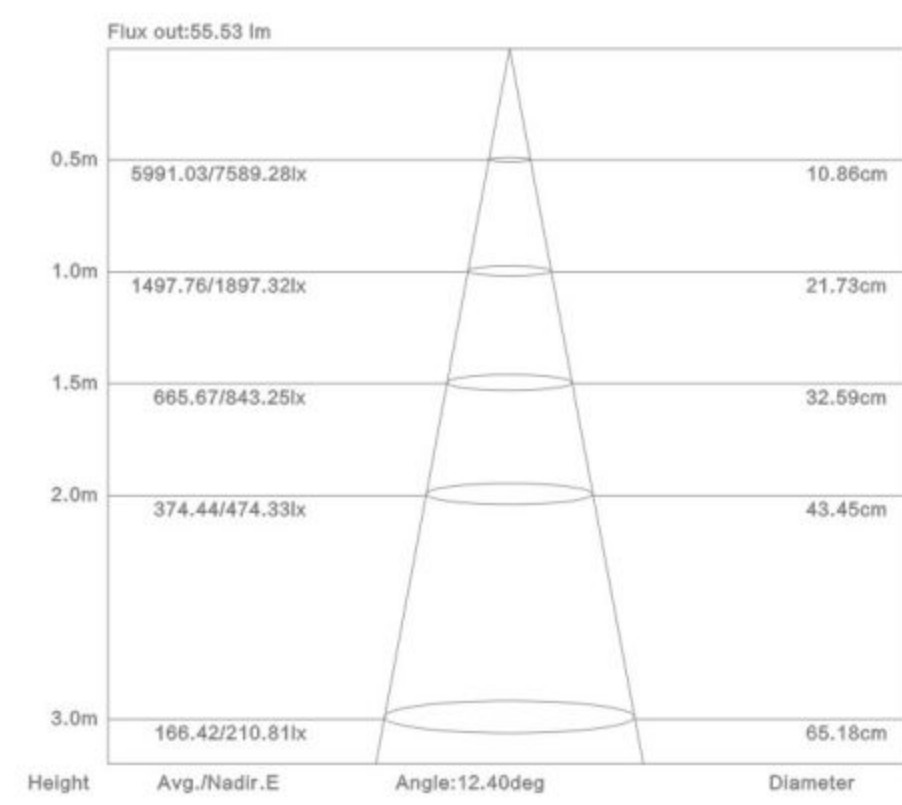
H DOUBLE DC / H DOUBLE

24VDC 717411A

LED: OSRAM 3000K CRI 80
 POWER: 2.4W
 OPTIC: 12°
 OUTPUT: 127Lm
 CABLE/CLASS: H05RN-F 2*0.75mm²
 DIMENSION: Ø42*93*569mm
 HOLE SIZE: /

100-240VAC 717611A

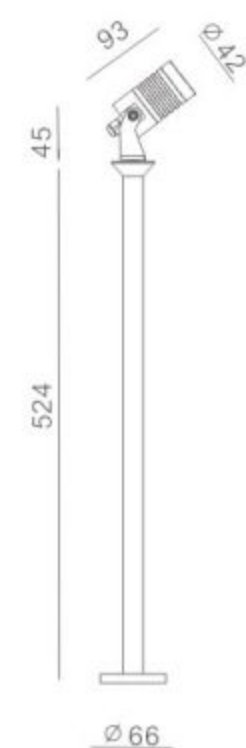
LED: OSRAM 3000K CRI 80
 POWER: 2.6W
 OPTIC: 12°
 OUTPUT: 127Lm
 CABLE/CLASS: H05RN-F 3*0.75mm²
 DIMENSION: Ø42*93*569mm
 HOLE SIZE: /



OPTIONS:



COLOR FINISHINGS:

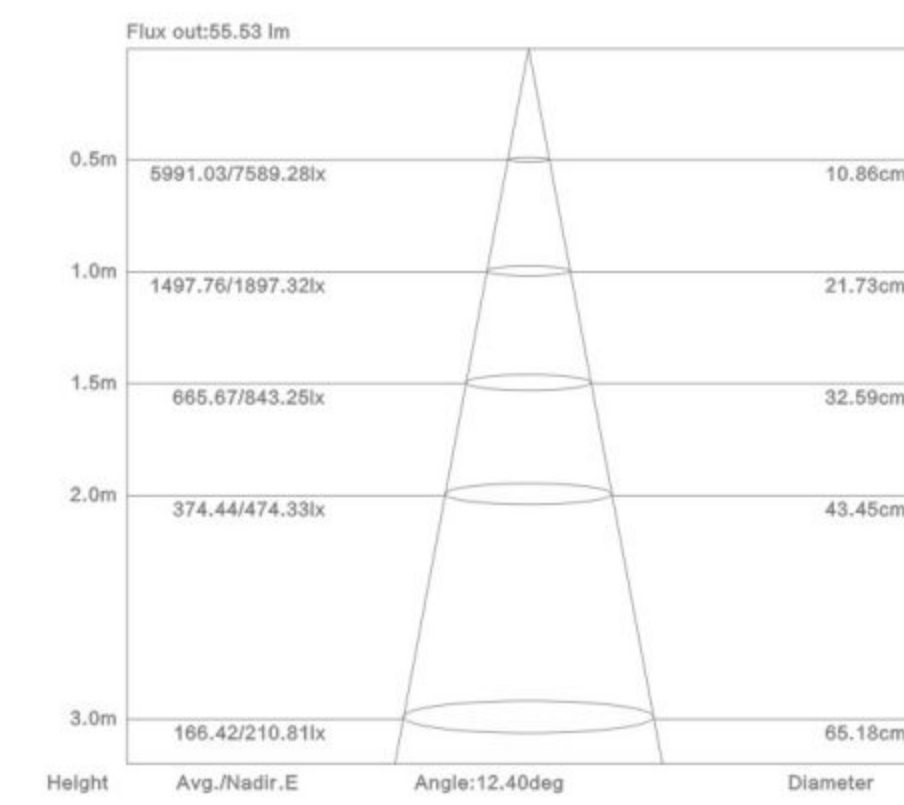


24VDC 717711A

LED: OSRAM 3000K CRI 80
 POWER: 2*2.4W
 OPTIC: 12°
 OUTPUT: 254Lm
 CABLE/CLASS: H05RN-F 2*0.75mm²
 DIMENSION: Ø66*536mm
 HOLE SIZE: /

100-240VAC 717911A

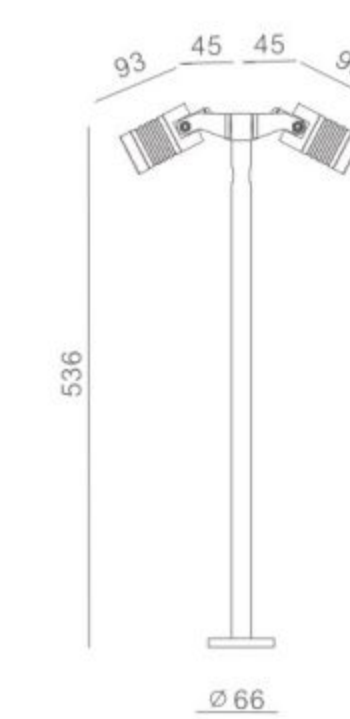
LED: OSRAM 3000K CRI 80
 POWER: 2*2.6W
 OPTIC: 12°
 OUTPUT: 254Lm
 CABLE/CLASS: H05RN-F 3*0.75mm²
 DIMENSION: Ø66*536mm
 HOLE SIZE: /



OPTIONS:



COLOR FINISHINGS:



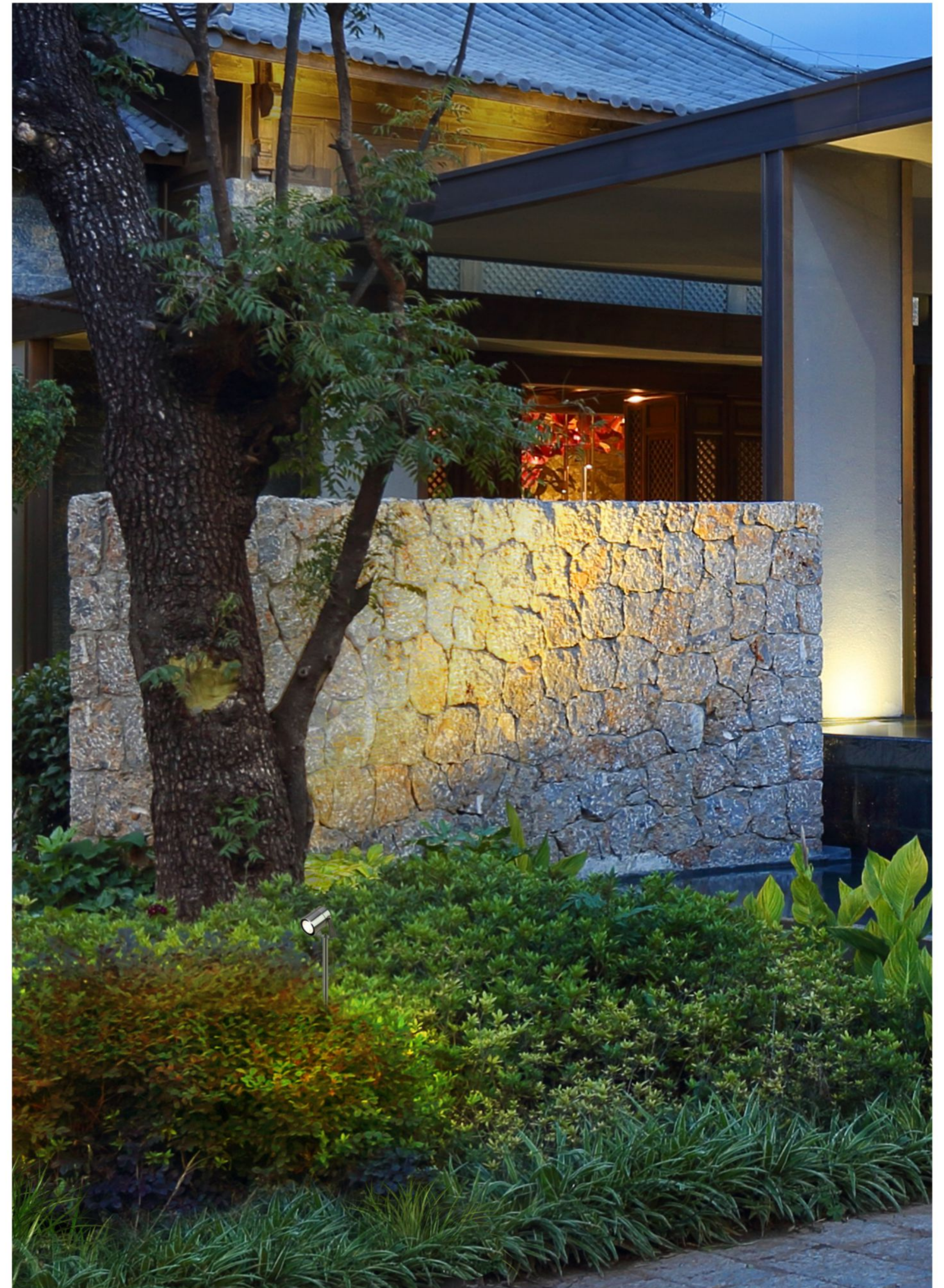




EDEN

This tiny spot is a great solution for landscape illumination. It is perfectly emphasizing the objects such as bushes or sculptures where necessary. Thanks to stainless steel 316# material EDEN can be used nearby sea side areas.

CCC CE IP65 100-240VAC

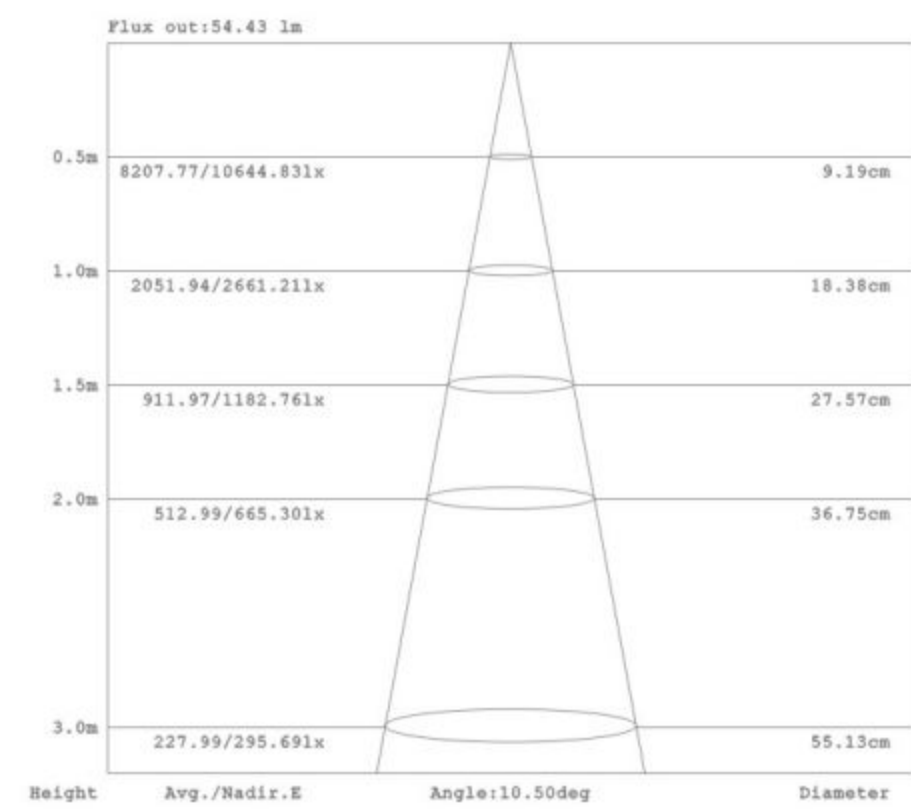




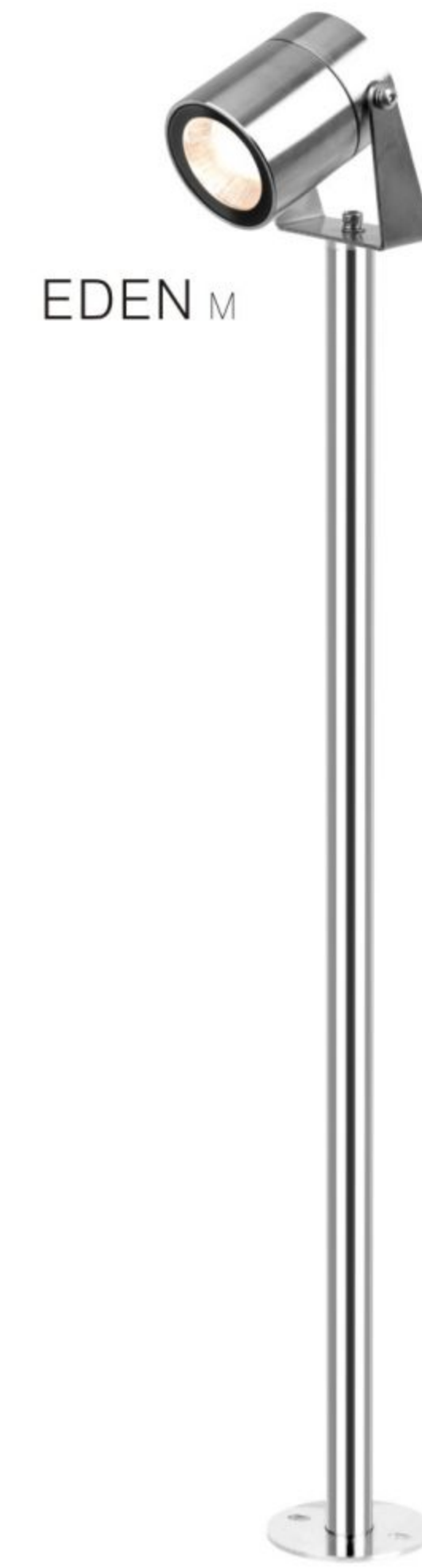
EDEN S

100-240VAC 731317A

LED: OSRAM 3000K CRI 80
 POWER: 2.5W
 OPTIC: 10°
 OUTPUT: 143Lm
 CABLE/CLASS: H05RN-F 3*0.75mm²
 DIMENSION: Ø42*63*600mm
 HOLE SIZE: /



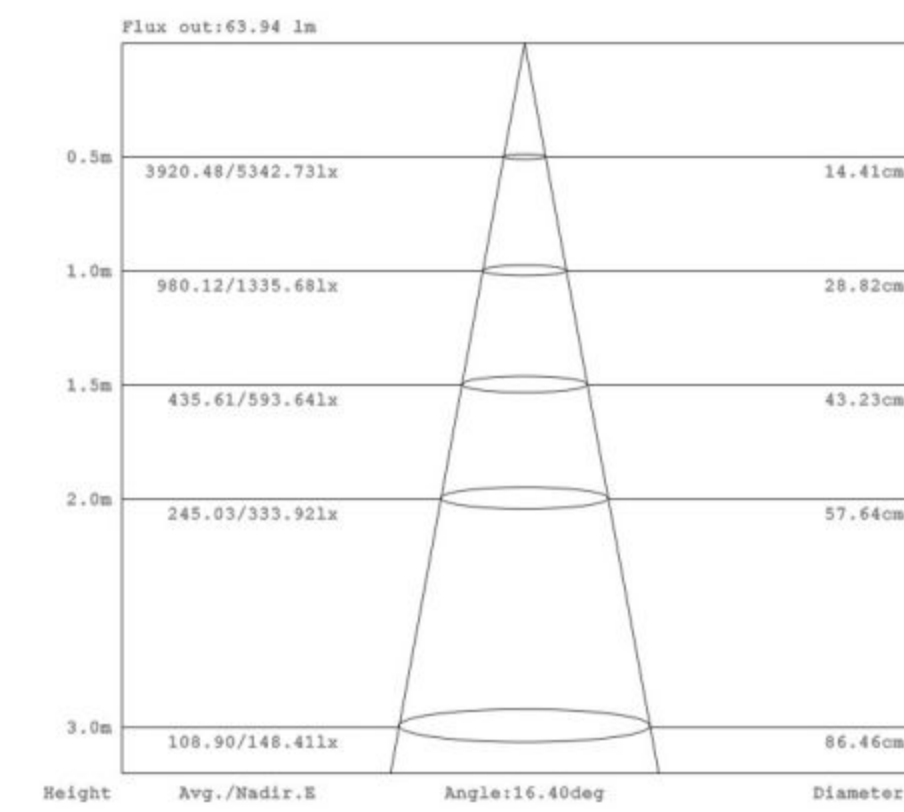
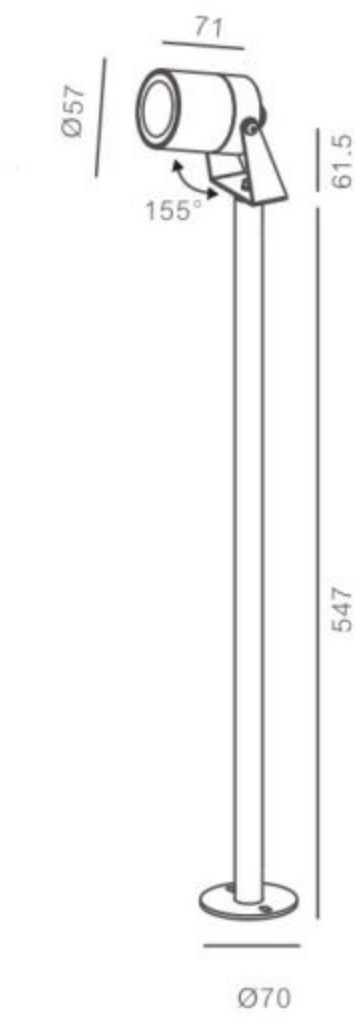
COLOR FINISHINGS:



EDEN M

100-240VAC 731415A

LED: LUMINUS 3000K CRI 80
 POWER: 5.6W
 OPTIC: 15°
 OUTPUT: 442Lm
 CABLE/CLASS: H05RN-F 3*0.75mm²
 DIMENSION: Ø57*71*610mm
 HOLE SIZE: /

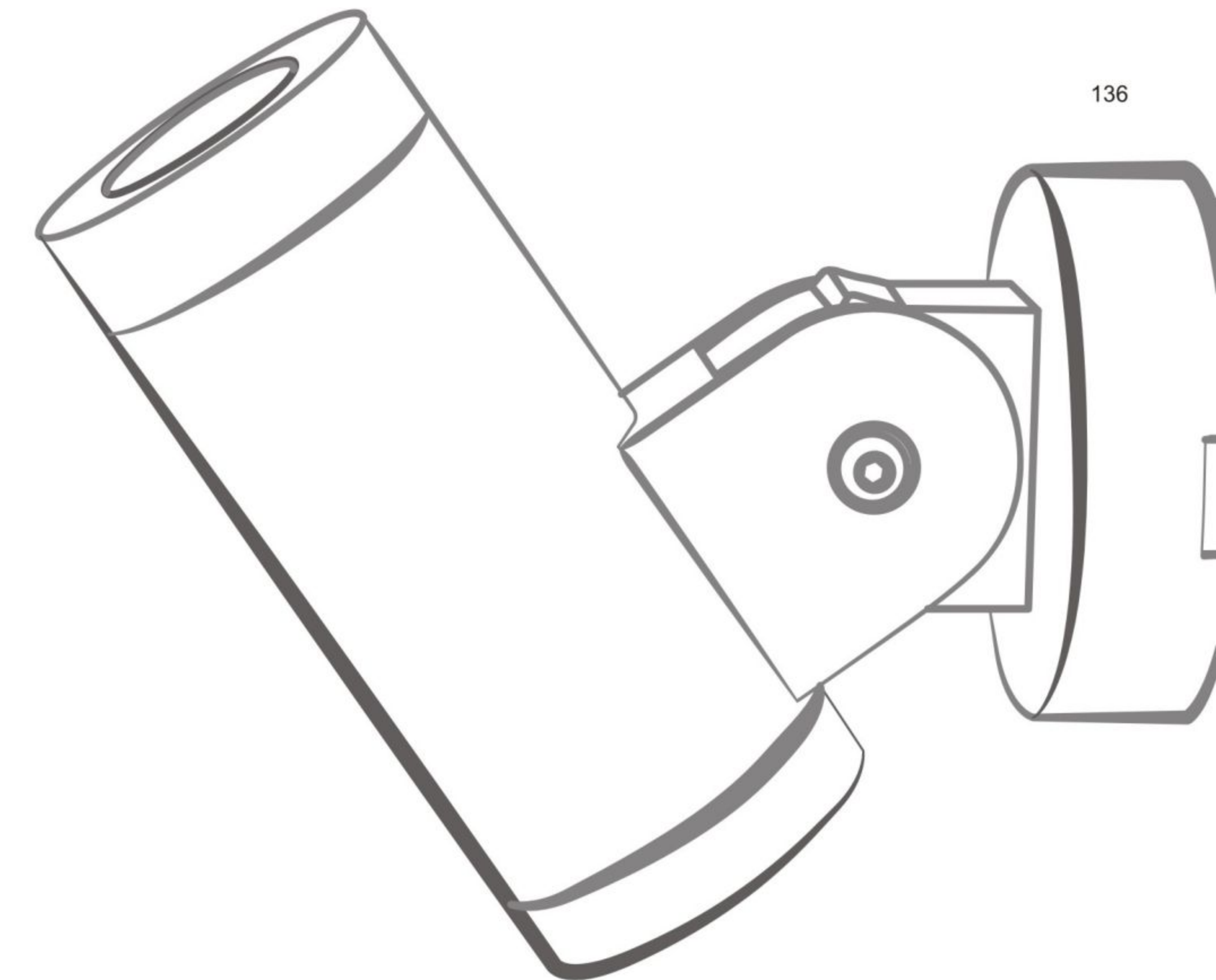


COLOR FINISHINGS:





SPARROW
138





SPARROW

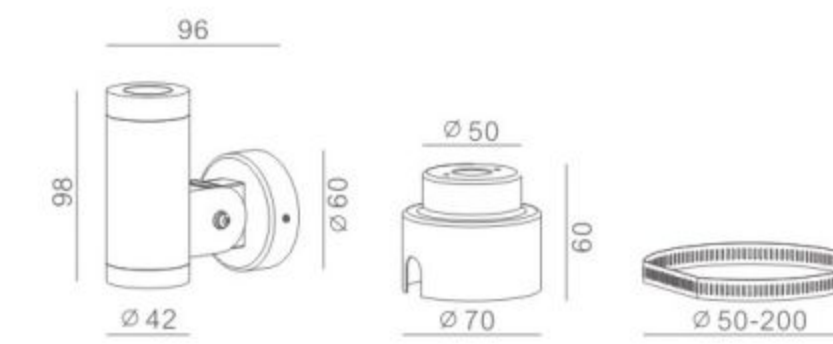
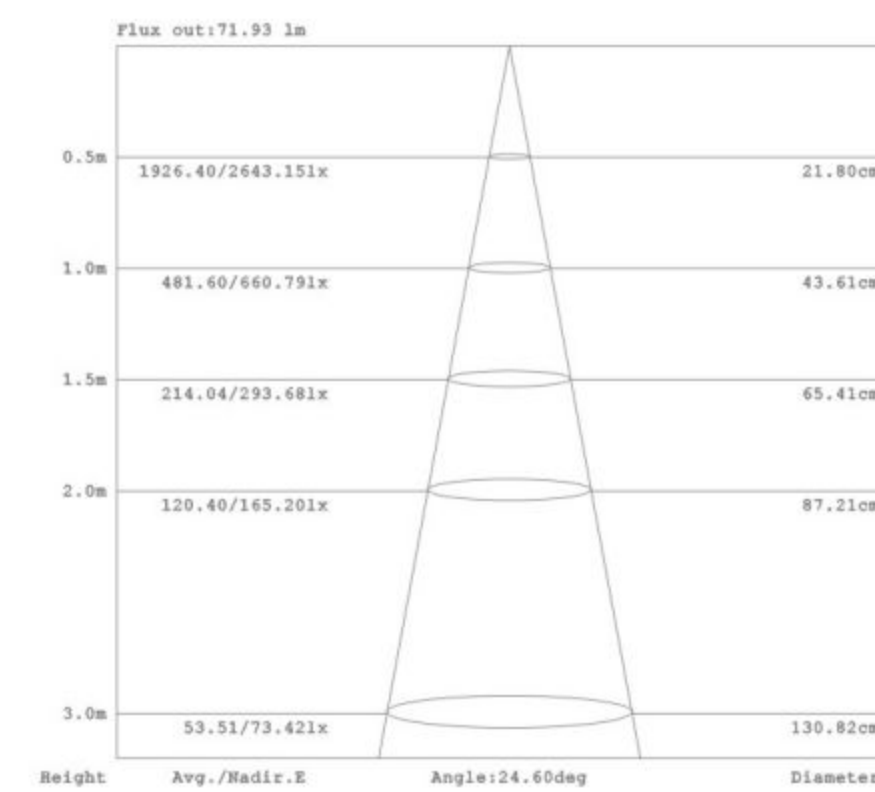
This tiny spot lighting for outdoor usage is the best choice for bush or tree enlighten.
Can be installed on the ground or on the tree stem.

CCC CE IP65 100-240VAC



100-240VAC 432317A

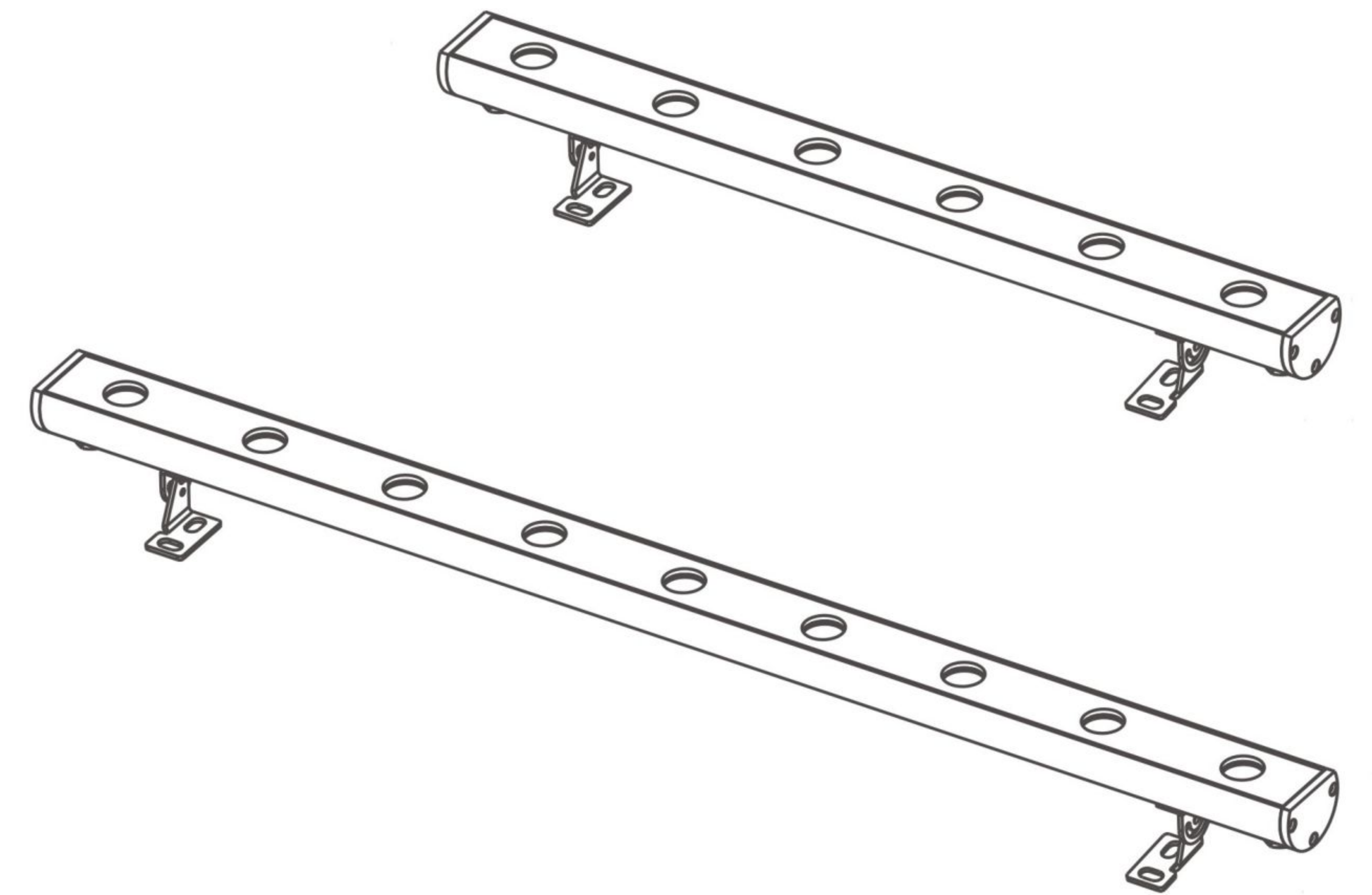
LED: OSRAM 3000K CRI 80
POWER: 3W
OPTIC: 25°
OUTPUT: 168Lm
CABLE/CLASS: H05RN-F 3*0.75mm²
DIMENSION: Ø42*98*60mm
HOLE SIZE: /



COLOR FINISHINGS:

PGY

WALL WASHER





141



S RGB

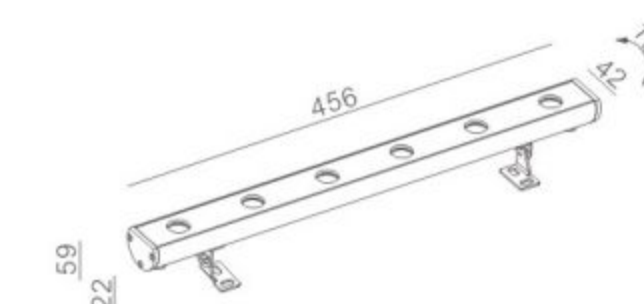
142

RIBBON 2.0

RIBBON 2.0 has already become classical wall washer of FLUA outdoor range. Extra slim low voltage RIBBON 2.0 is the best choice for facade illumination. Accurate aluminum body is equipped with stainless steel brackets. 3 sizes are available for choice: 6, 12 or 18 LED. All versions can be with monochrome or RGB 3IN1. Different optic solutions, including asymmetrical & oval beam lens, can answer all project requirements.

24VDC RGB 3IN1 816814  

LED: EDISON RGB 3IN1
 POWER: 16.3W
 OPTIC: 30°
 CABLE/CLASS: H05RN-F 4*0.75mm²
 DIMENSION: 456*42*59mm
 HOLE SIZE: /



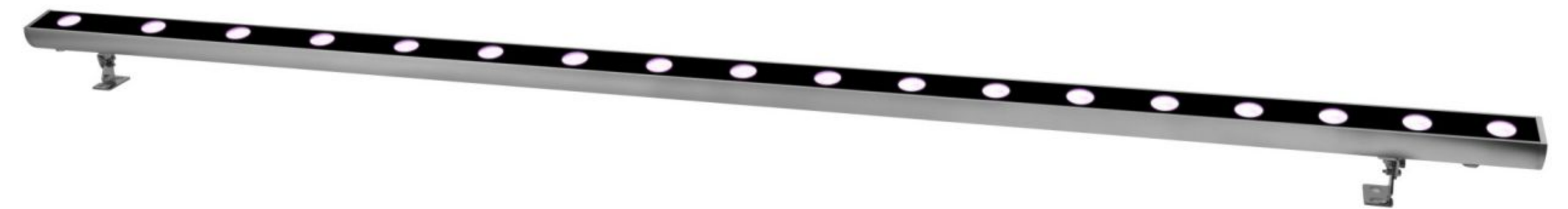
COLOR FINISHINGS:

 AGS





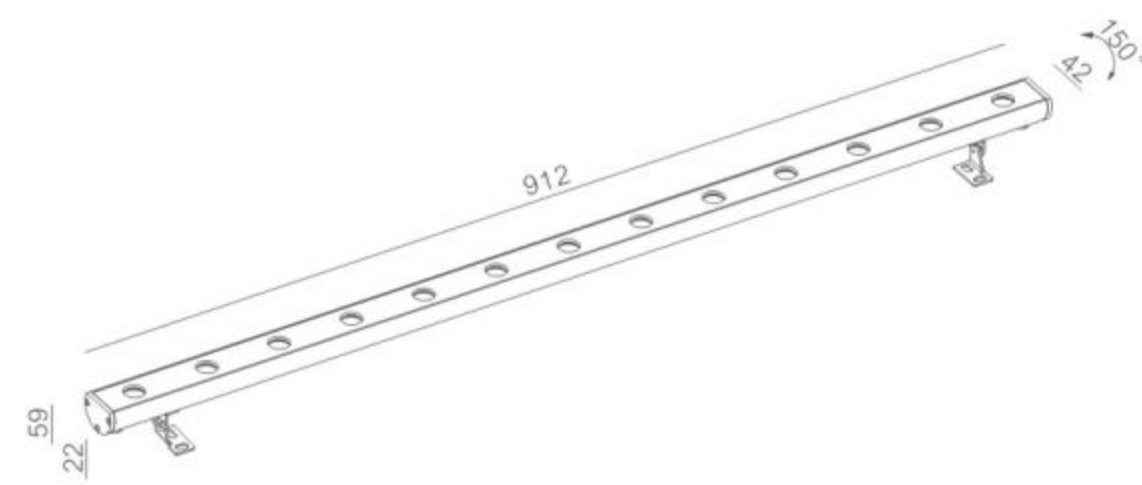
M RGB



L RGB

24VDC RGB 3IN1 816914

LED: EDISON RGB 3IN1
 POWER: 33.1W
 OPTIC: 30°
 CABLE/CLASS: H05RN-F 4*0.75mm²
 DIMENSION: 912*42*59mm
 HOLE SIZE: /

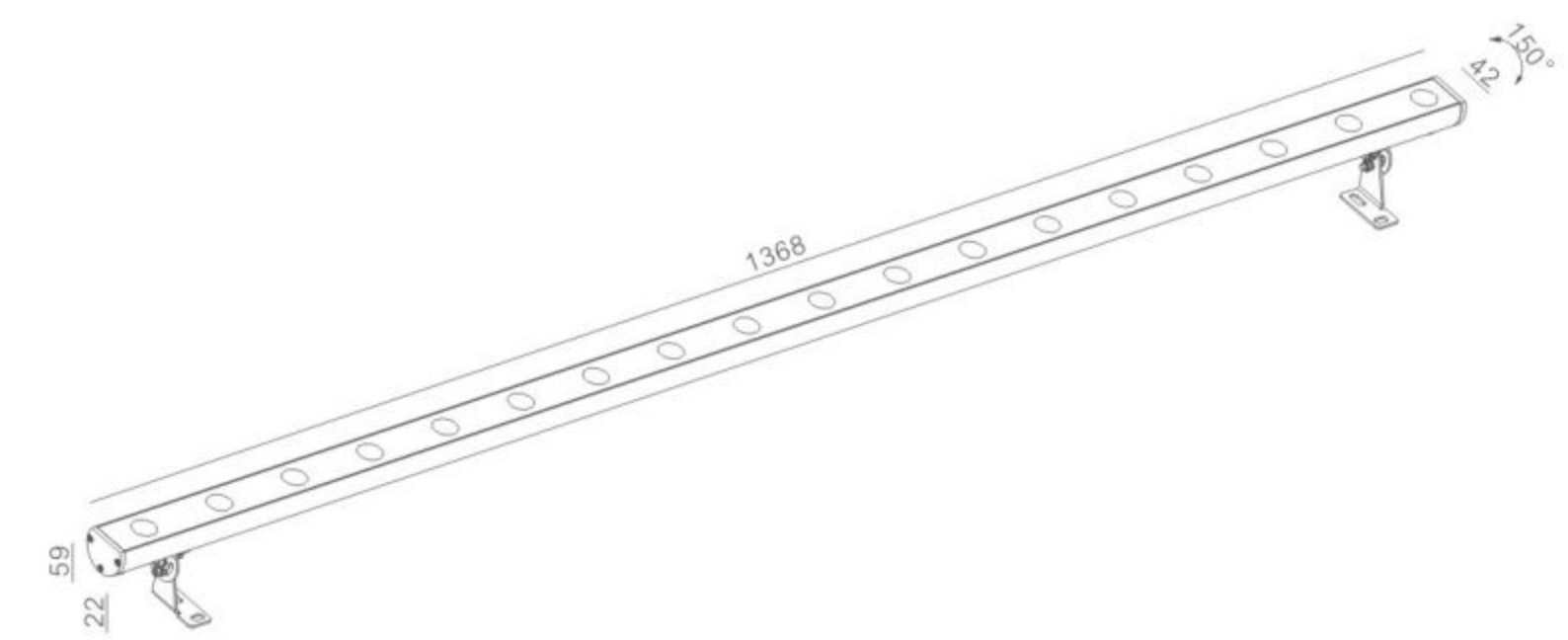


COLOR FINISHINGS:

AGS

24VDC RGB 3IN1 817014

LED: EDISON RGB 3IN1
 POWER: 51W
 OPTIC: 30°
 CABLE/CLASS: H05RN-F 4*0.75mm²
 DIMENSION: 1368*42*59mm
 HOLE SIZE: /



COLOR FINISHINGS:

AGS



OCEAN

OCEAN linear series is a modern and highly efficient solution for architectural and decorative lighting.

The fixture provides uniform indirect lighting and is ideal for decorative lighting of buildings, plazas, historic and cultural sites, monuments, parks.

The luminaire is available in three standard lengths, 500 mm, 1000 mm, 1500 mm.

CCC CE IP65 24VDC 100-240VAC

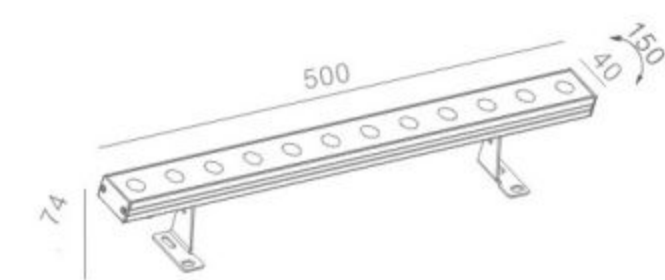


S_{DC} / S



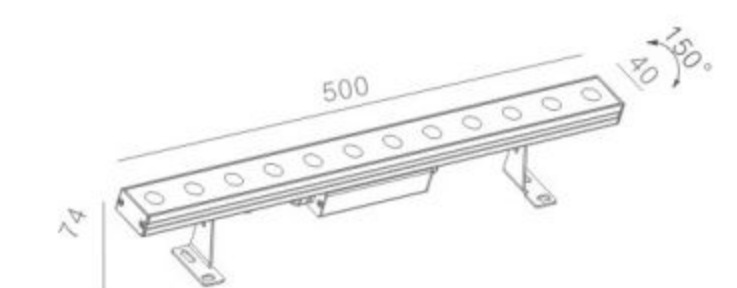
24VDC 816116 

LED: LUMILEDS 3000K CRI 90
 POWER: 12W
 OPTIC: 15°
 OUTPUT: 936Lm
 CABLE/CLASS: H05RN-F 2*0.75mm²
 DIMENSION: 500*40*74mm
 HOLE SIZE: /



100-240VAC 816316A 

LED: LUMILEDS 3000K CRI 90
 POWER: 12W
 OPTIC: 15°
 OUTPUT: 936Lm
 CABLE/CLASS: H05RN-F 3*0.75mm²
 DIMENSION: 500*40*74mm
 HOLE SIZE: /



COLOR FINISHINGS:

 AGS



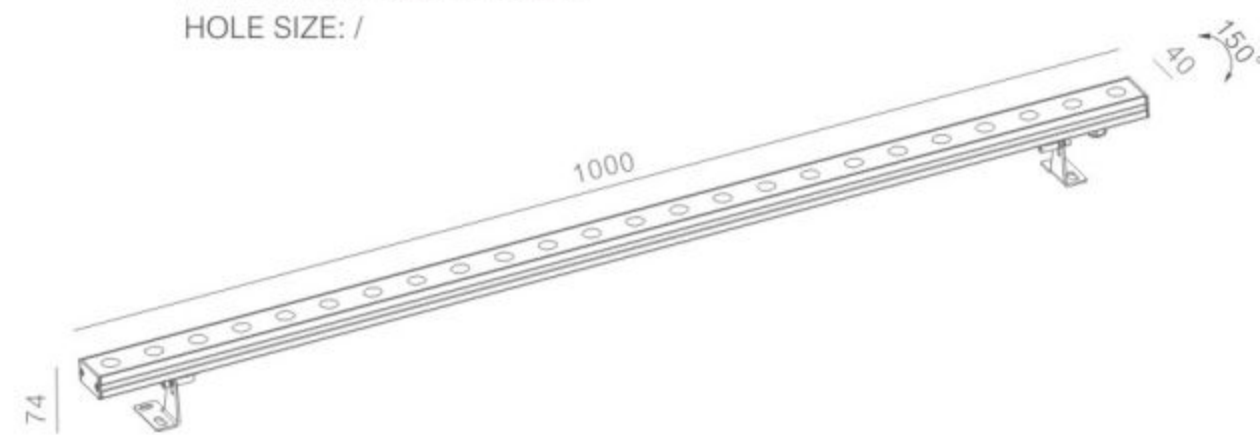
M DC / M



L DC 1 / L DC 2 / L

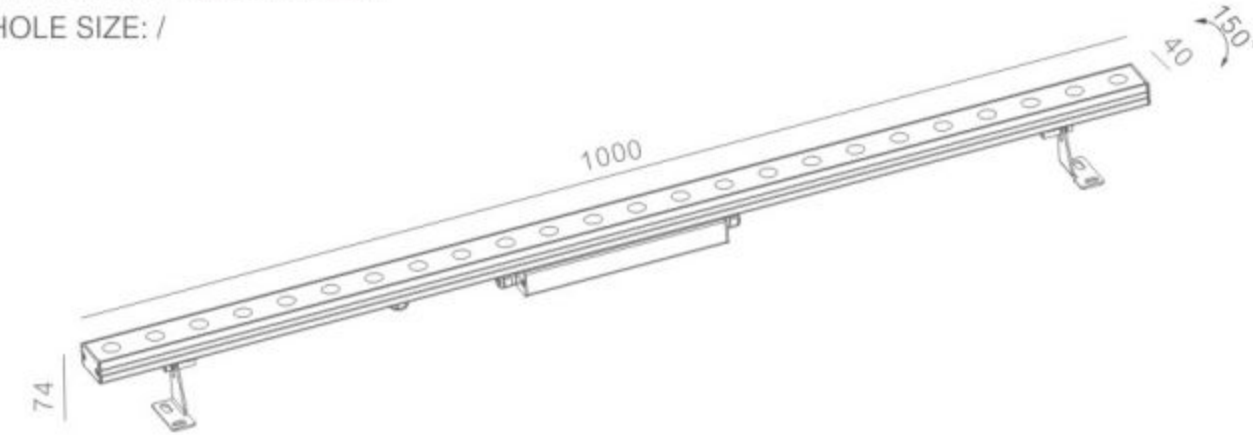
24VDC 816216

LED: LUMILEDS 3000K CRI 90
 POWER: 24W
 OPTIC: 15°
 OUTPUT: 1872Lm
 CABLE/CLASS: H05RN-F 2*0.75mm²
 DIMENSION: 1000*40*74mm
 HOLE SIZE: /



100-240VAC 816616A

LED: LUMILEDS 3000K CRI 90
 POWER: 24W
 OPTIC: 15°
 OUTPUT: 1618Lm
 CABLE/CLASS: H05RN-F 3*0.75mm²
 DIMENSION: 1000*40*74mm
 HOLE SIZE: /

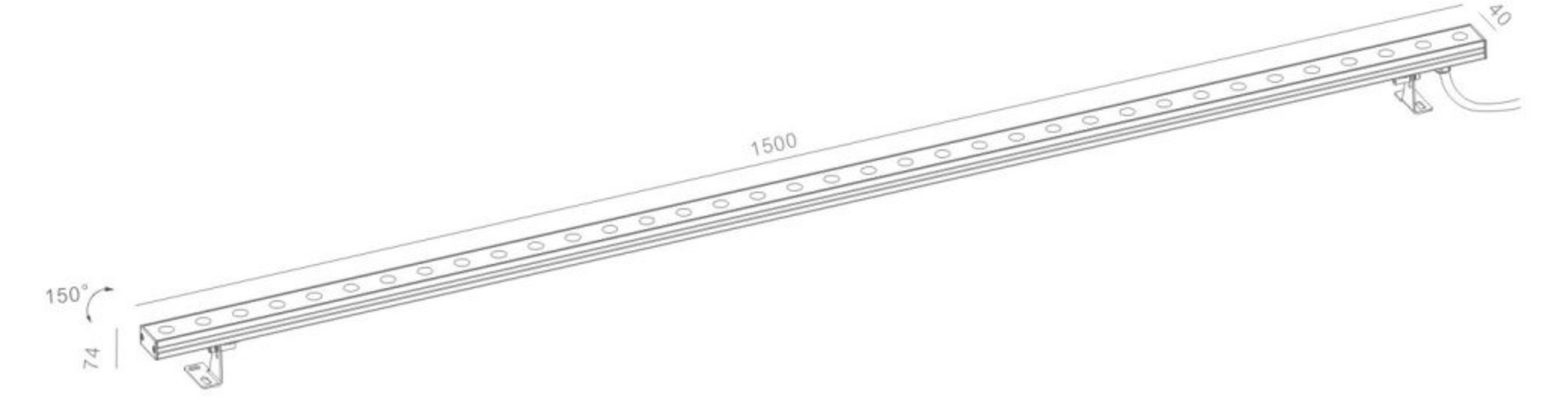


COLOR FINISHINGS:

AGS

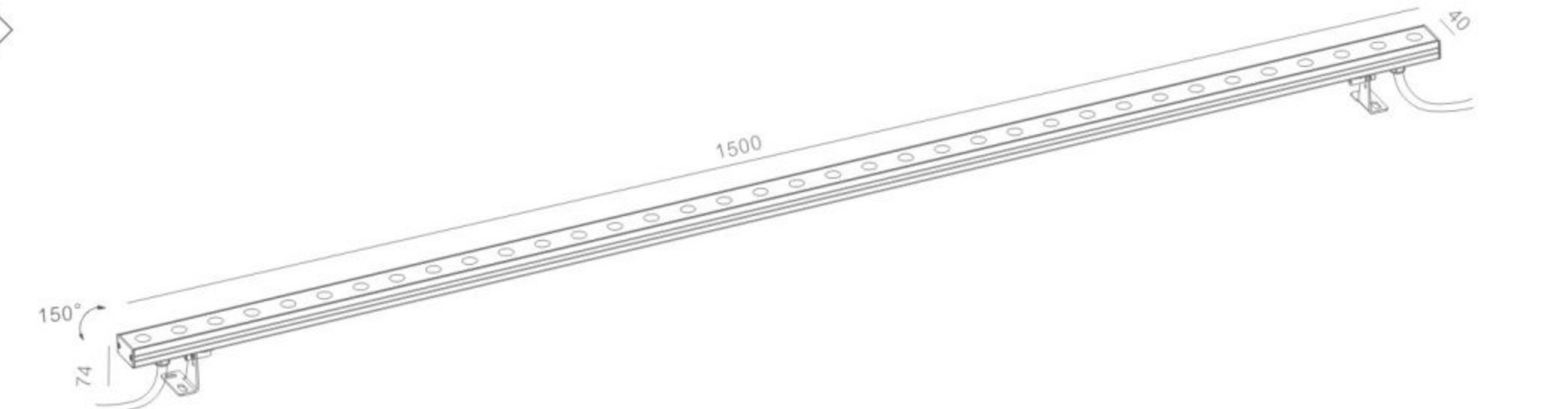
DC1 24VDC 816516

LED: LUMILEDS 3000K CRI 90
 POWER: 36W
 OPTIC: 15°
 OUTPUT: 2808Lm
 CABLE/CLASS: H05RN-F 2*0.75mm²
 DIMENSION: 1500*40*74mm
 HOLE SIZE: /



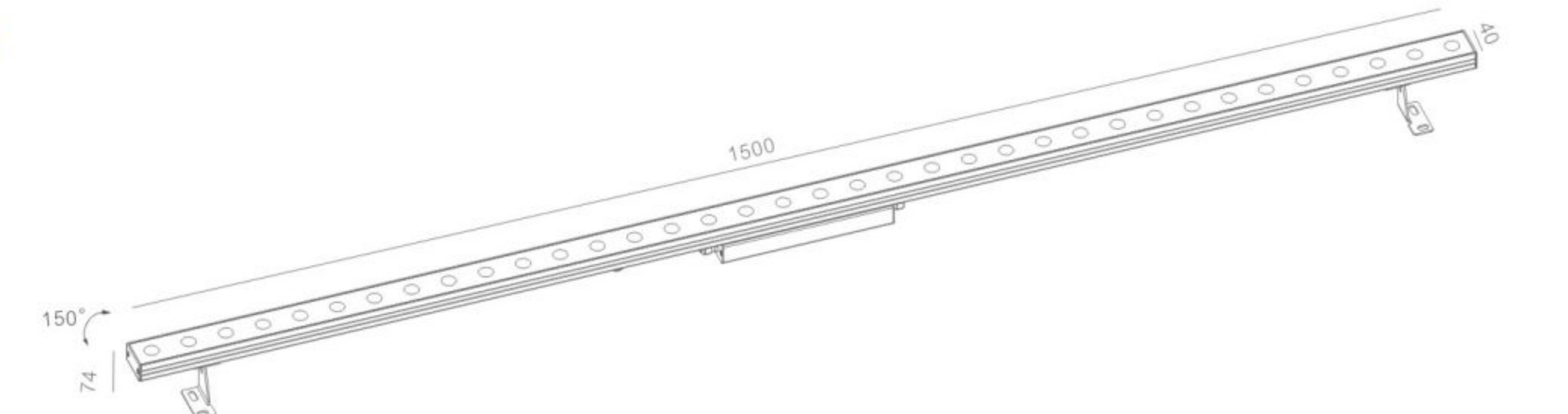
DC2 24VDC 816416

LED: LUMILEDS 3000K CRI 90
 POWER: 36W
 OPTIC: 15°
 OUTPUT: 2808Lm
 CABLE/CLASS: H05RN-F 2*0.75mm²
 DOUBLE OUTLET
 DIMENSION: 1500*40*74mm
 HOLE SIZE: /



100-240VAC 816716A

LED: LUMILEDS 3000K CRI 90
 POWER: 32W
 OPTIC: 15°
 OUTPUT: 2171Lm
 CABLE/CLASS: H05RN-F 3*0.75mm²
 DIMENSION: 1500*40*74mm
 HOLE SIZE: /



COLOR FINISHINGS:

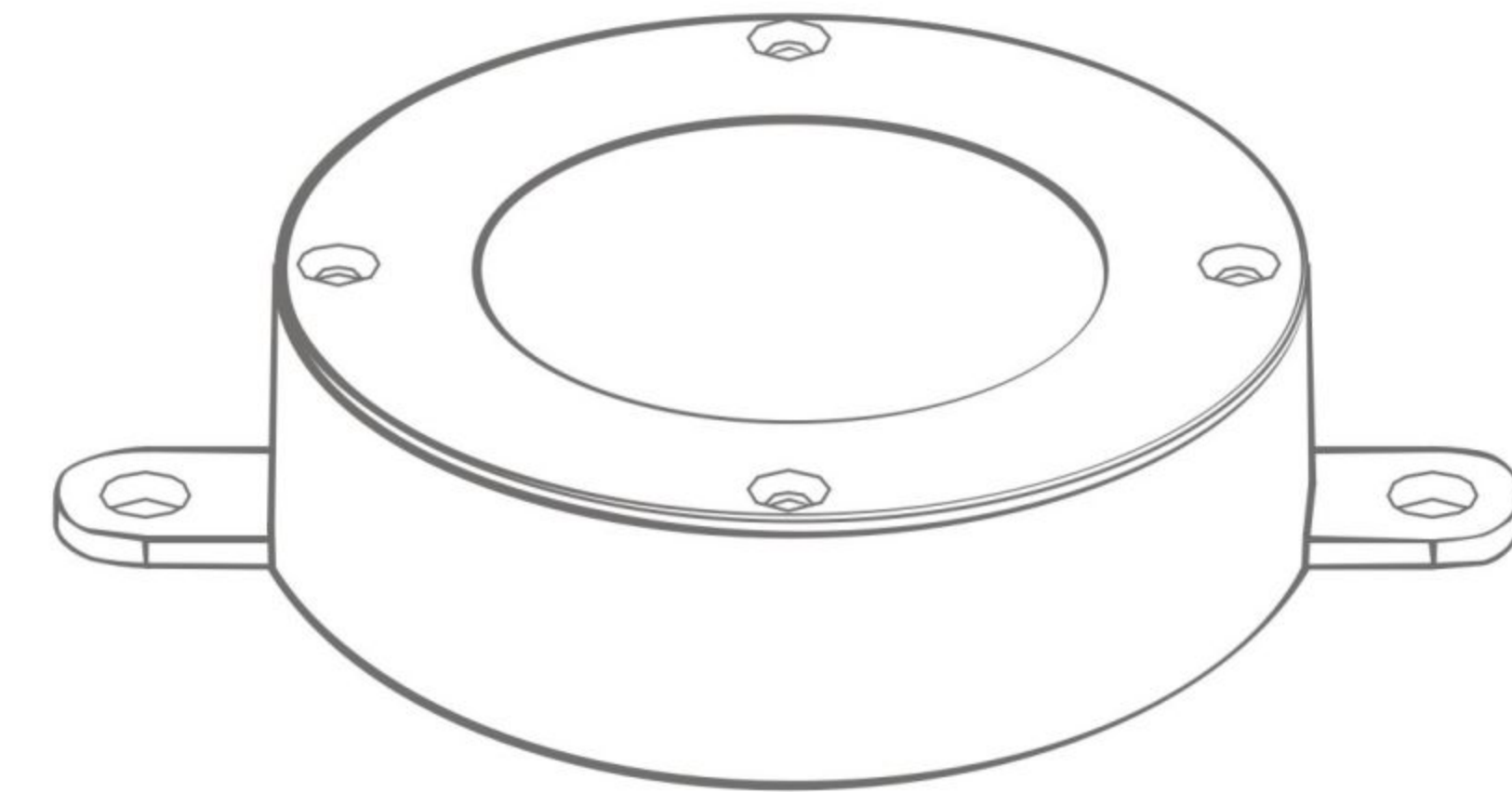
AGS



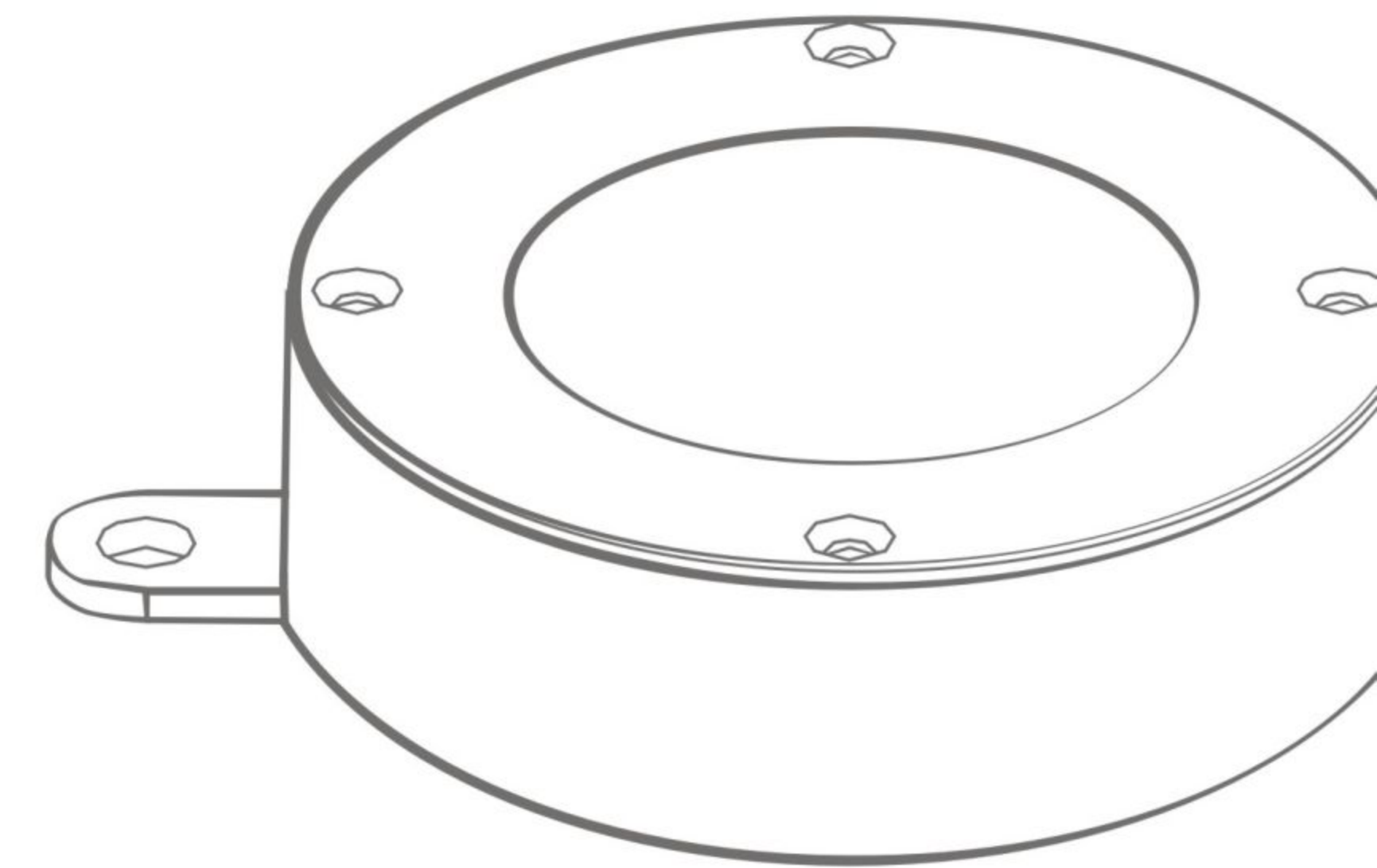
UNDER WATER

					
ANTLIA DC 156	ANTLIA ASYMMETRIC 157	ANTLIA RGB 158	CARINA DC 160	CARINA RGB 161	CIRCINUS S DC 164
					
CIRCINUS S RGB 165	CIRCINUS S ASYMMETRIC 166	CIRCINUS M 167	CIRCINUS L 167	GEMINI DC 28	PYXIS DC 172
					
PYXIS RGB 174	UDETECTOR SS 179	UDETECTOR SS RGB 179	UDETECTOR S 180	UDETECTOR S RGB 180	UDETECTOR M 181
					
UDETECTOR M RGB 181	UDETECTOR L 182	UDETECTOR L RGB 182			

153



154

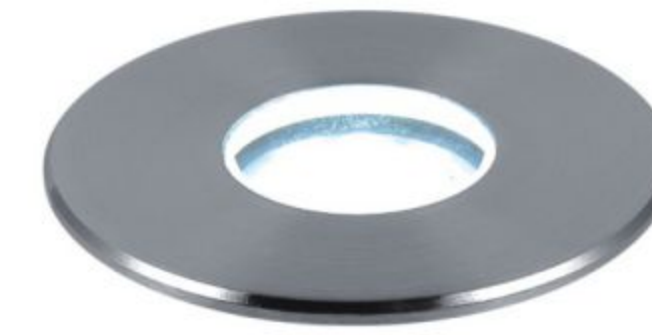




ANTLIA

This miniature 2.6W underwater fitting with IP68 and stainless steel body can make miracles for any projects. Thanks to different variety of beam angles 8, 12 or 25 degrees, including asymmetrical lenses, ANTLIA can answer all project requirement, providing perfect light effect.

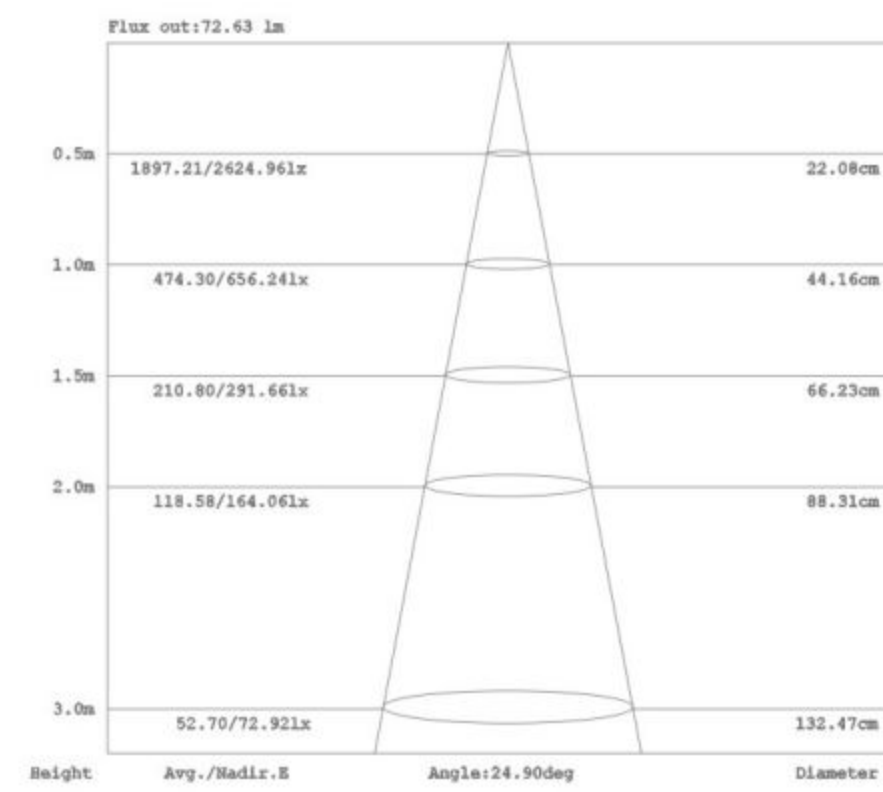
CCC CE IP68 24VDC



DC

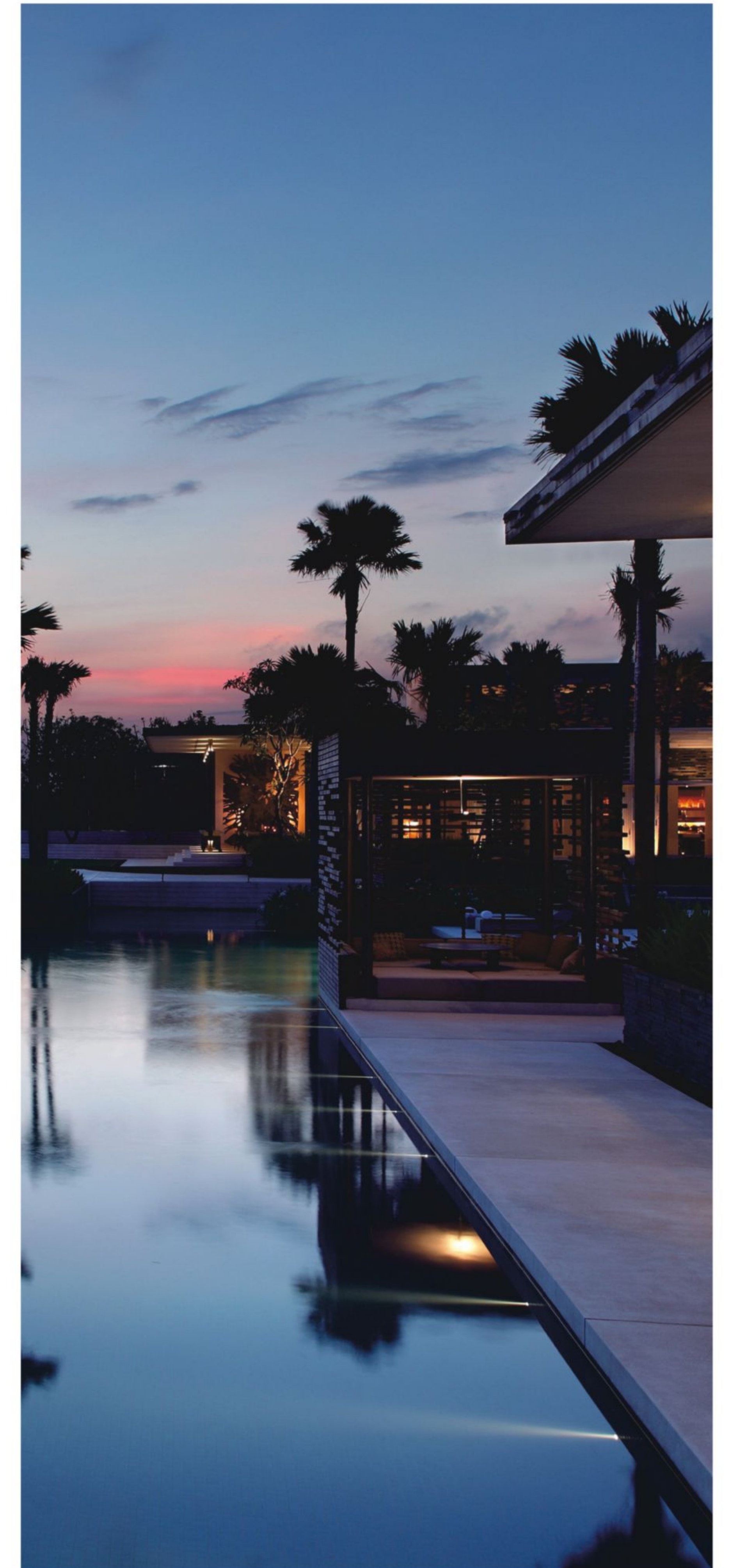
24VDC 900211A

LED: OSRAM 3000K CRI 80
POWER: 2.6W
OPTIC: 25°
OUTPUT: 150 Lm
CABLE/CLASS: H05RN-F 2*0.75mm²
DIMENSION: Ø55*87mm
HOLE SIZE: Ø75mm



COLOR FINISHINGS:

SSS





ASYMMETRIC DC

24VDC 920711A 

LED: OSRAM 3000K CRI 80
 POWER: 2.6W
 OPTIC: P
 OUTPUT: 132Lm
 CABLE/CLASS: H05RN-F 2*0.75mm²
 DIMENSION: Ø55*87mm
 HOLE SIZE: Ø75mm



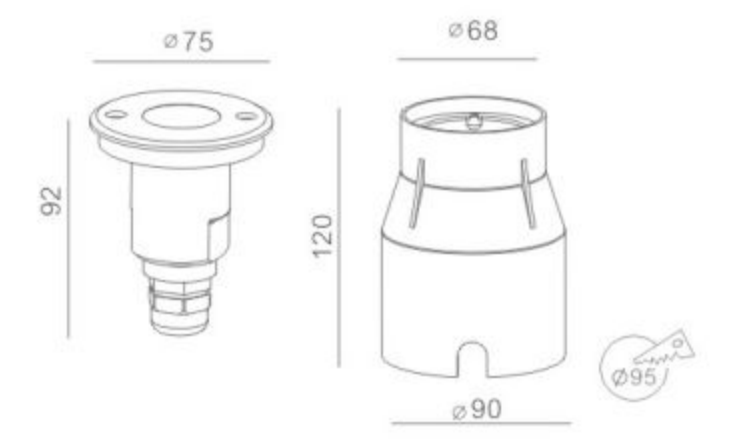
COLOR FINISHINGS:
 SSS



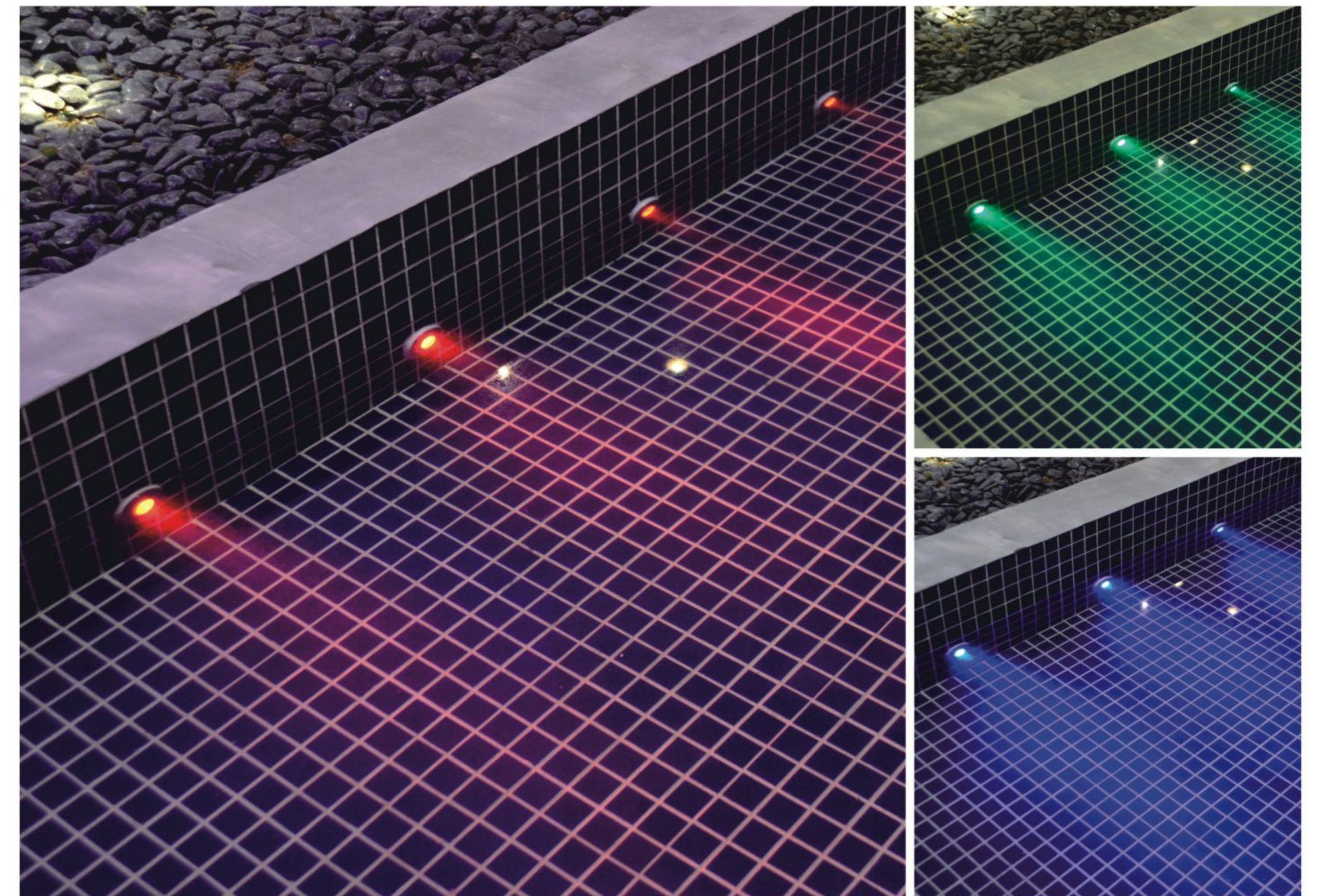
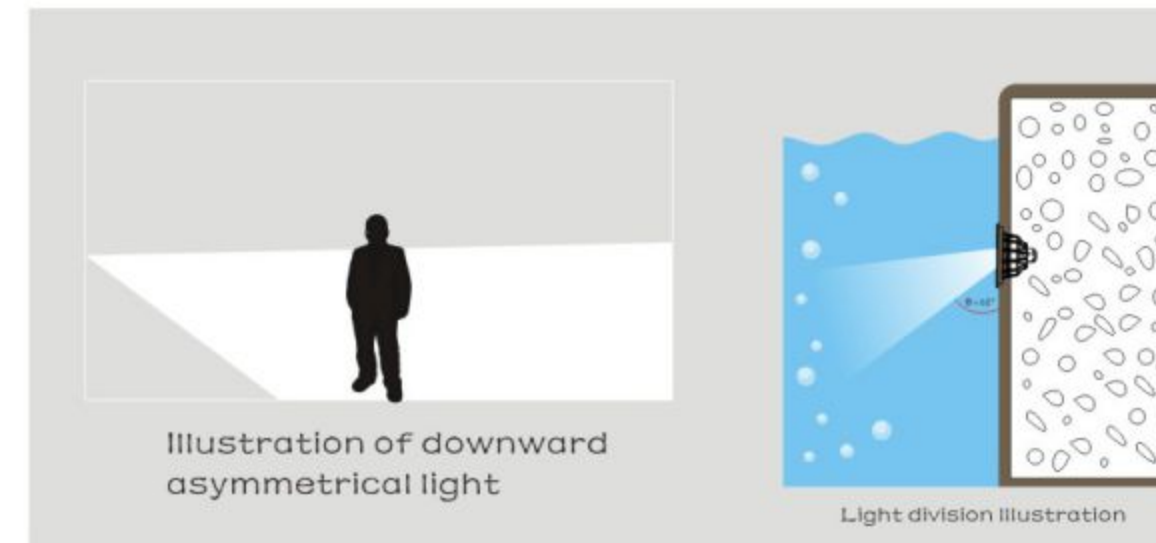
RGB DC

24VDC RGB 3IN1 911014 

LED: EDISON RGB 3IN1
 POWER: 4.1W
 OPTIC: 25°
 CABLE/CLASS: H05RN-F 4*0.75mm²
 DIMENSION: Ø75*92mm
 HOLE SIZE: Ø95mm



COLOR FINISHINGS:
 SSS



CARINA

CARINA is a nice surfaced mounted underwater luminaire with stainless steel body. Available both with monochrome and RGB 3IN1 solutions.

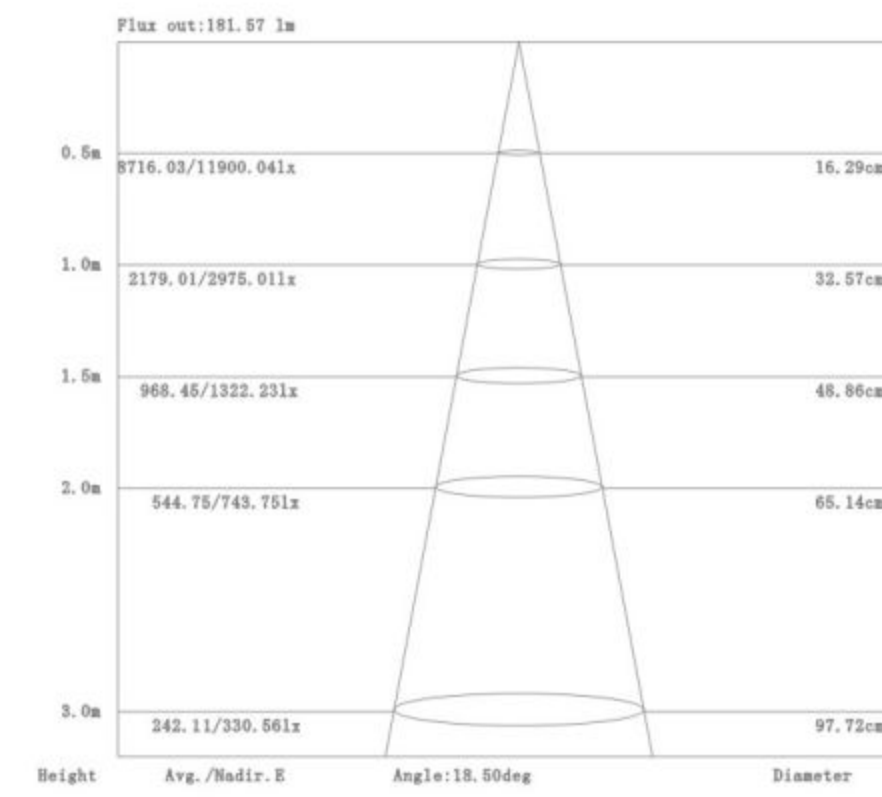
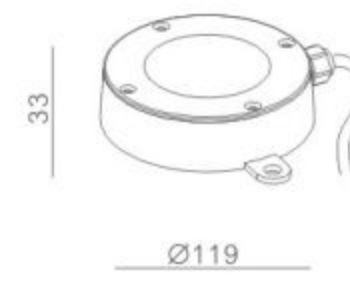
CCC CE IP68 24VDC



DC

24VDC 903411A

LED: OSRAM 3000K CRI 80
 POWER: 6*2.4W
 OPTIC: 15°
 OUTPUT: 551Lm
 CABLE/CLASS: H05RN-F 2*1.00mm²
 DIMENSION: Ø119*33mm
 HOLE SIZE: /



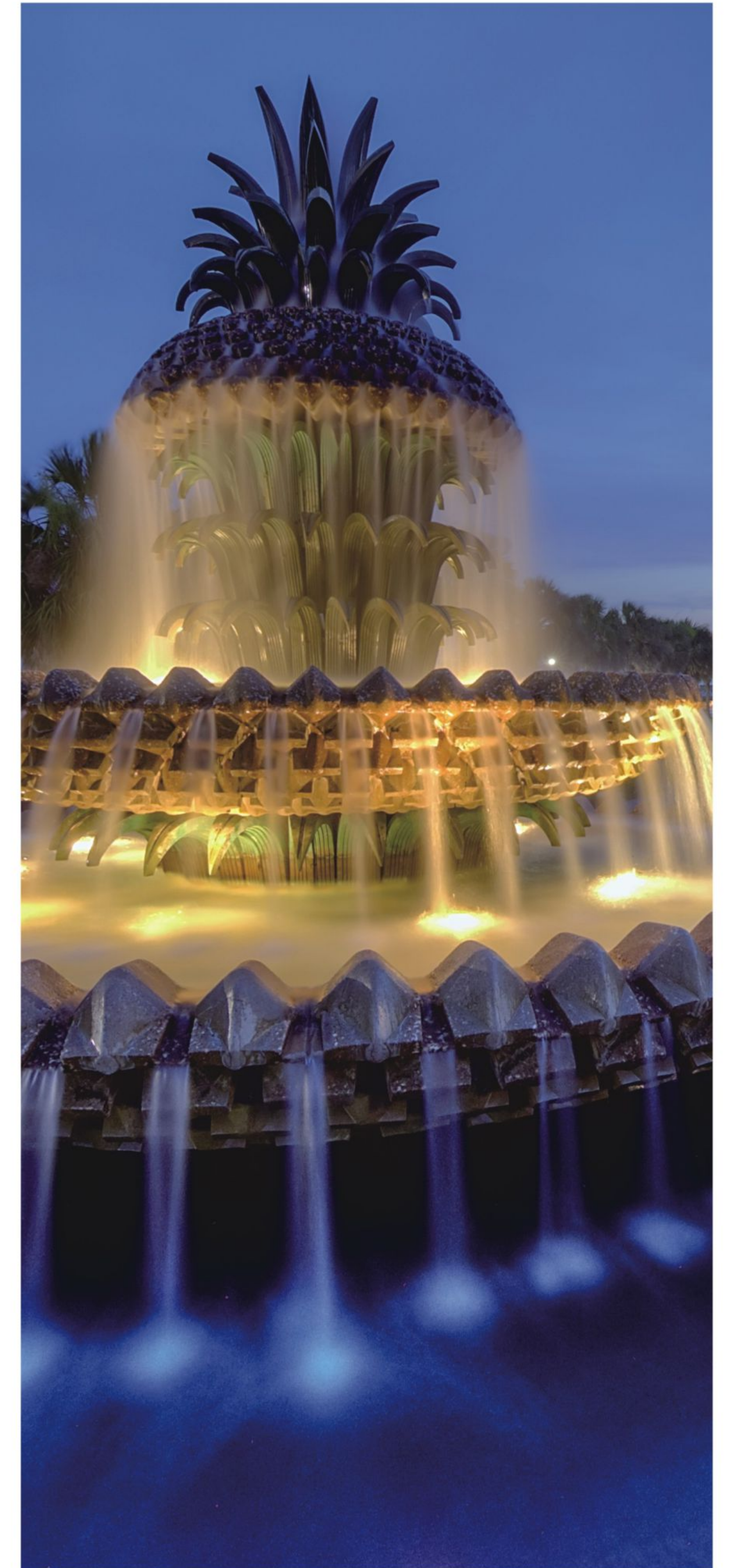
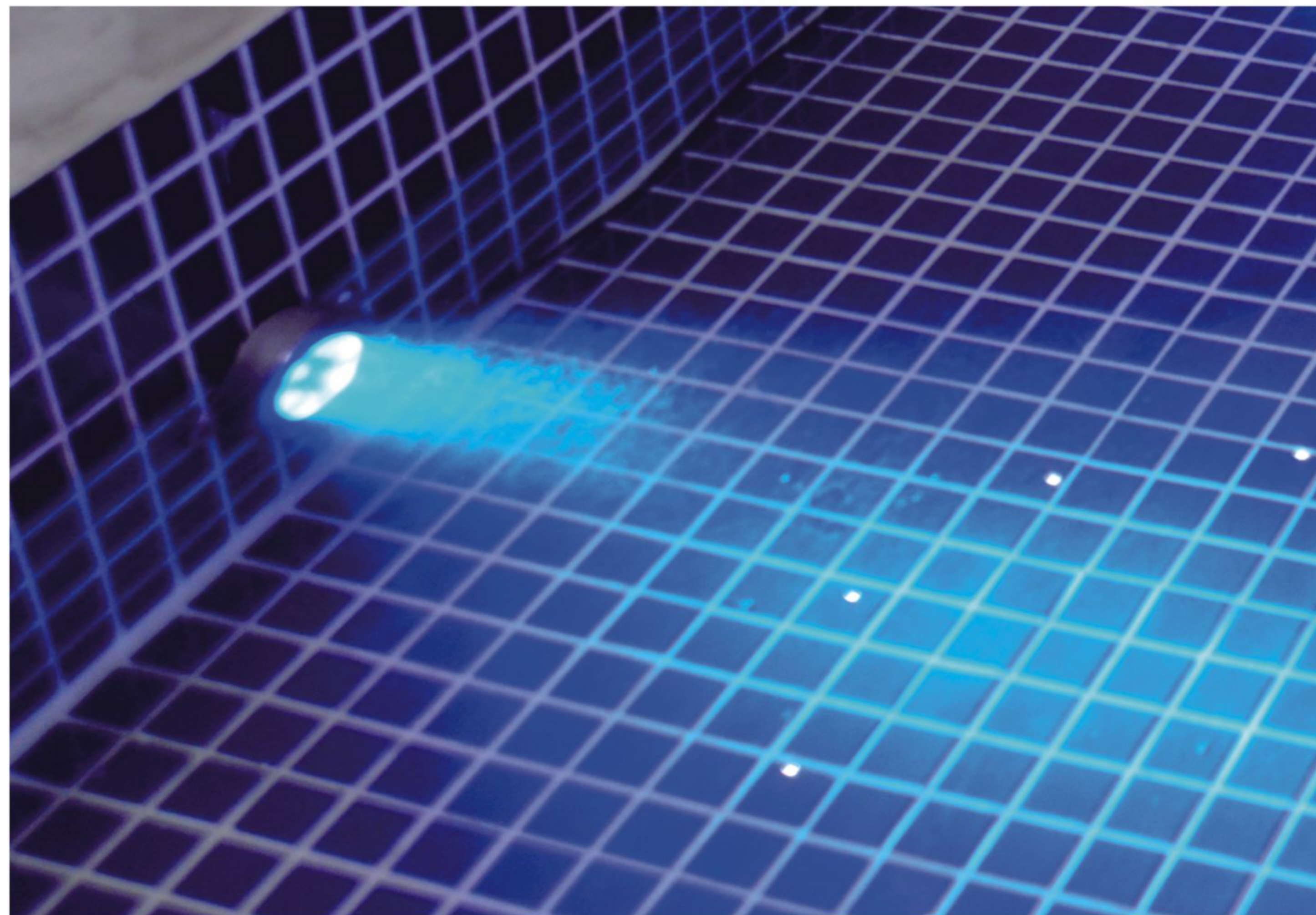
OPTIONS:

OPTICS:



COLOR FINISHINGS:

■ AISI 316L

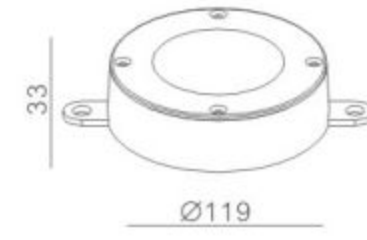




RGB

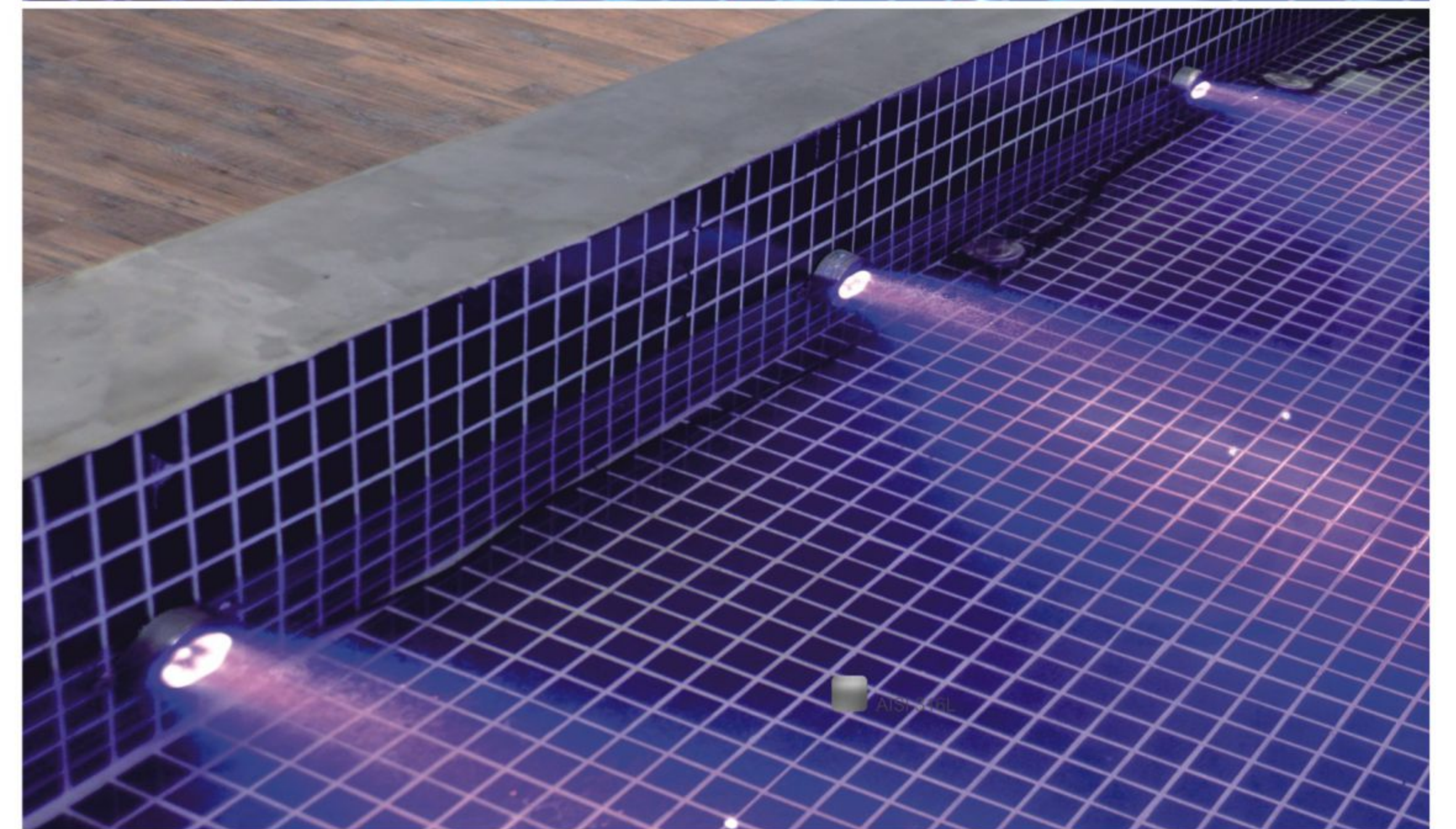
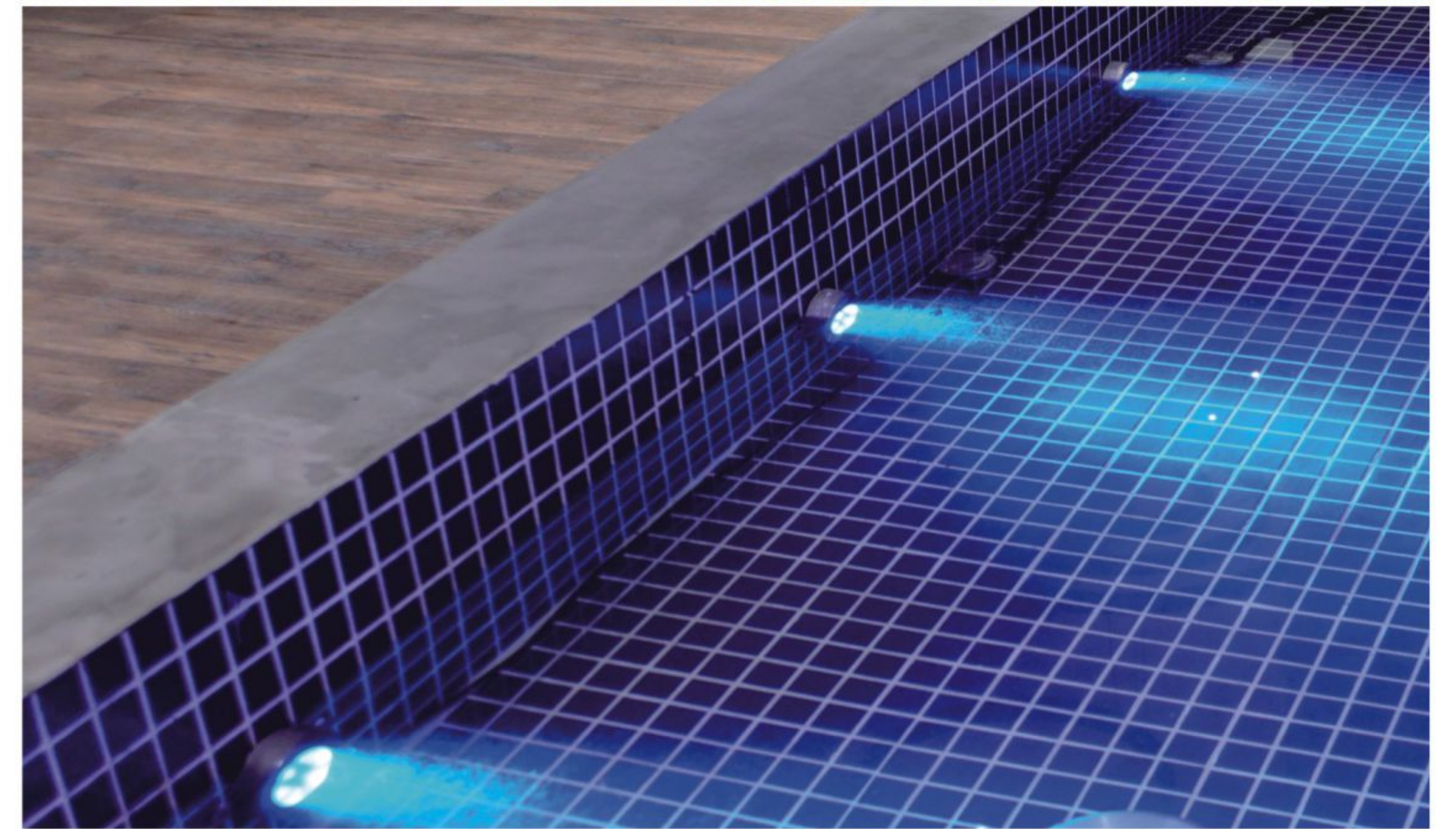
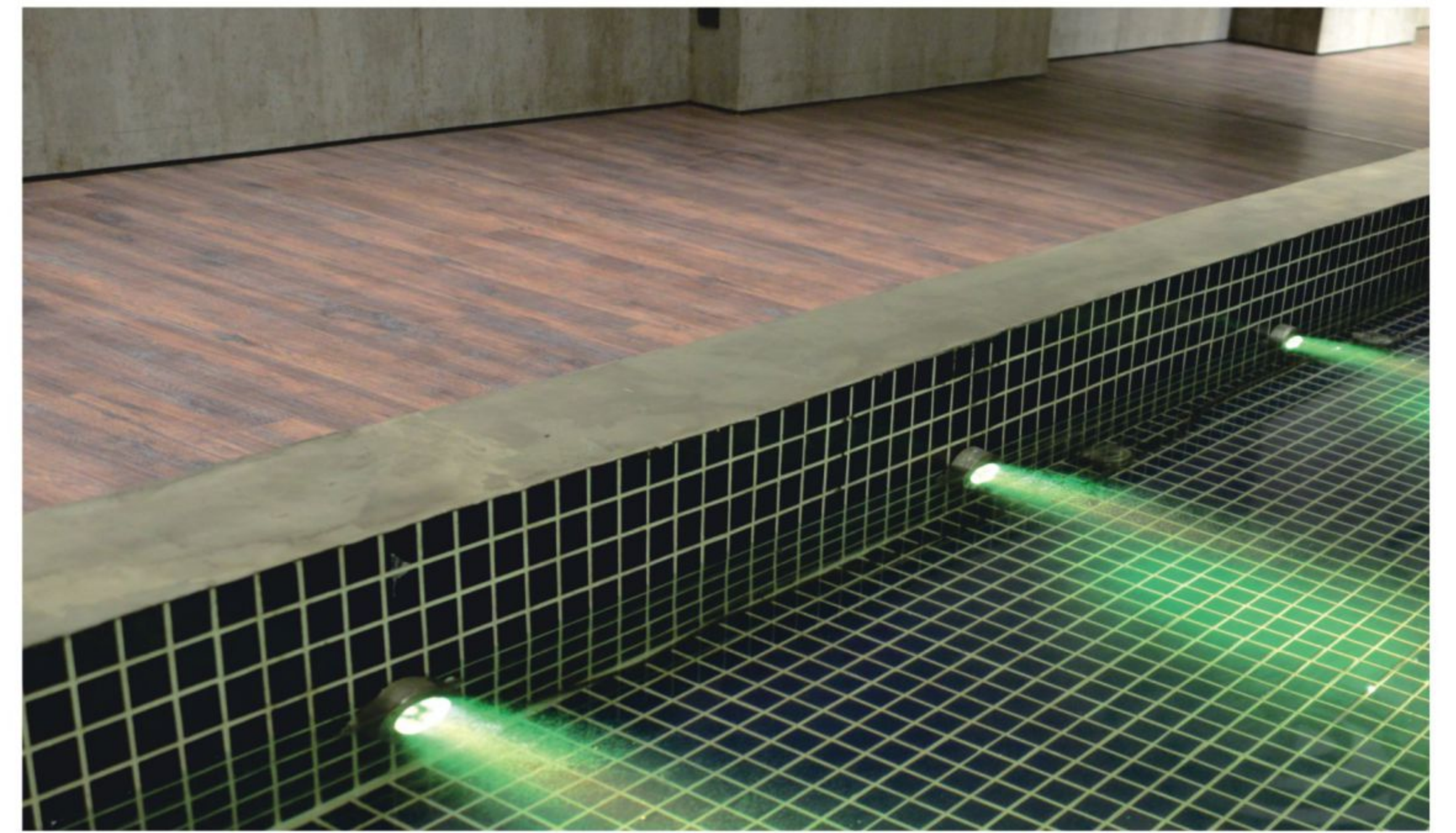
24V 350mA RGB 3IN1 903714 

LED: EDISON RGB 3IN1
POWER: 16.8W
OPTIC: 30°
CABLE/CLASS: H05RN-F 4*0.75mm²
DIMENSION: Ø119*33mm
HOLE SIZE: /



COLOR FINISHINGS:

 AISI316L



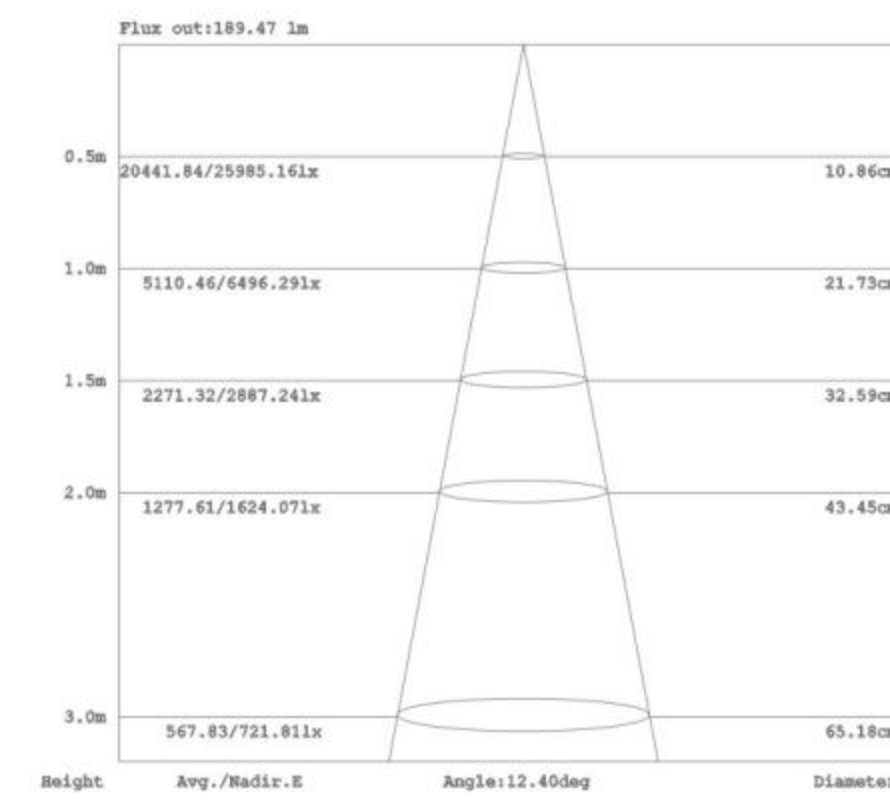
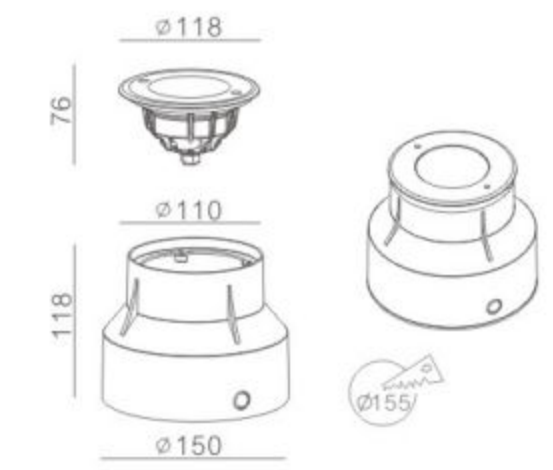


S DC

24VDC

900911A

LED: OSRAM 3000K CRI 80
 POWER: 7.2W
 OPTIC: 15°
 OUTPUT: 503Lm
 CABLE/CLASS: H05RN-F 2*1.00mm²
 DIMENSION: Ø118*76mm
 HOLE SIZE: Ø155mm



OPTIONS:

OPTICS:



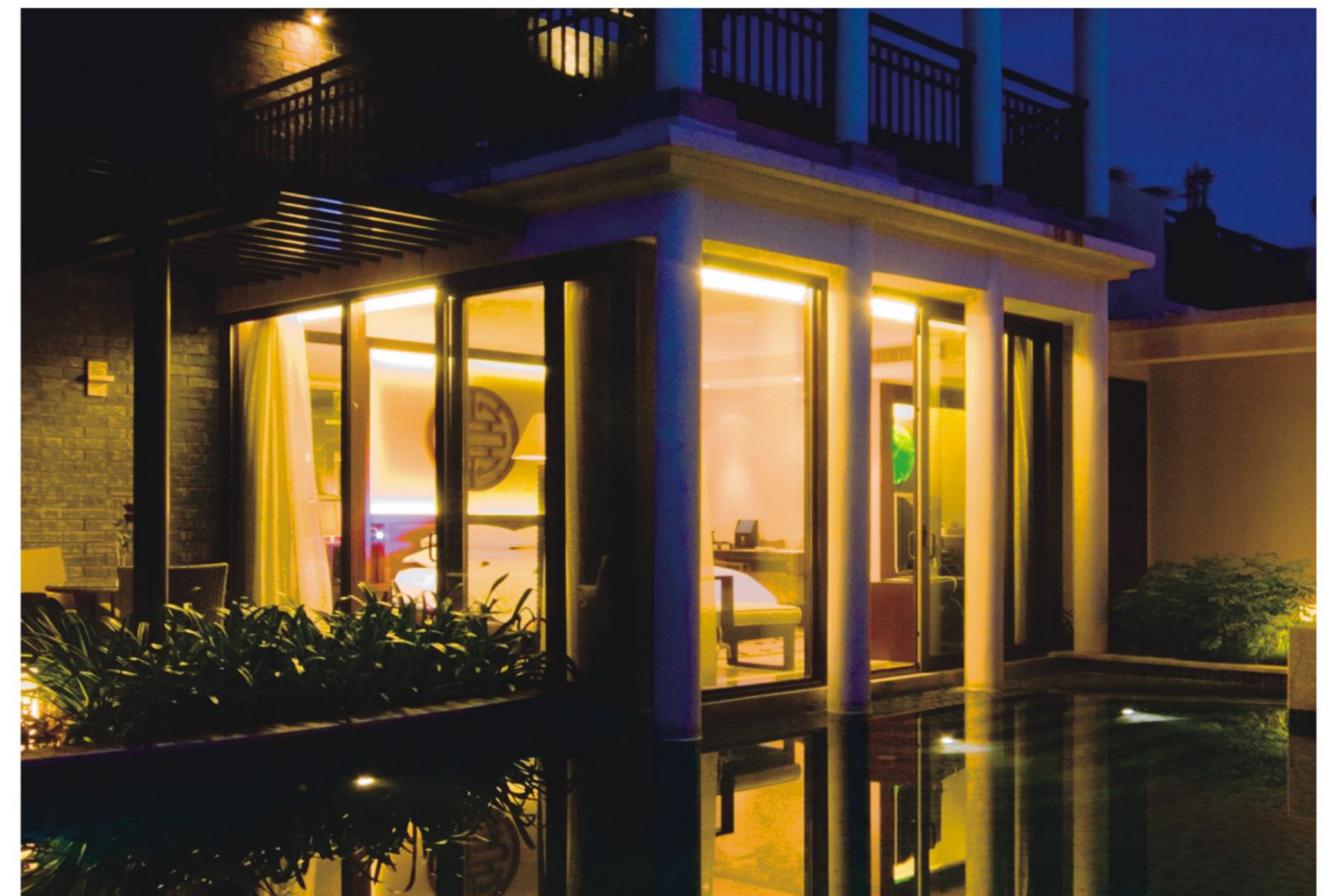
COLOR FINISHINGS:



EXTERIOR UNDER WATER

CIRCINUS

To create colorful atmosphere for the environment, CIRCINUS is the best option. Available in 3 sizes with 3, 6 or 12 LED. Monochrome and RGB 3IN1 are available.





S RGB

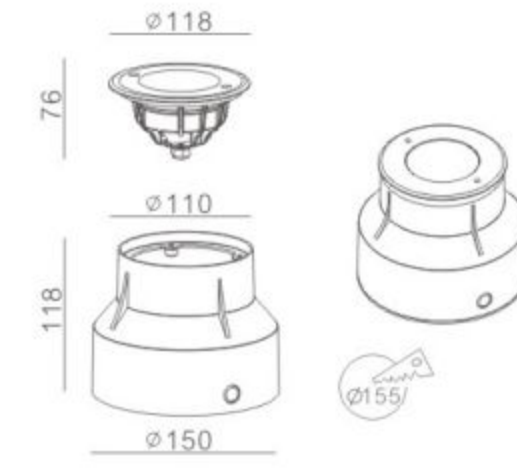
24VDC RGB 3IN1

901214

LED: EDISON RGB 3IN1
 POWER: 8.4W
 OPTIC: 30°
 CABLE/CLASS: H05RN-F 4*0.75mm²
 DIMENSION: Ø118*76mm
 HOLE SIZE: Ø155mm

COLOR FINISHINGS:

■ AISI 316L



ASYMMETRIC DC

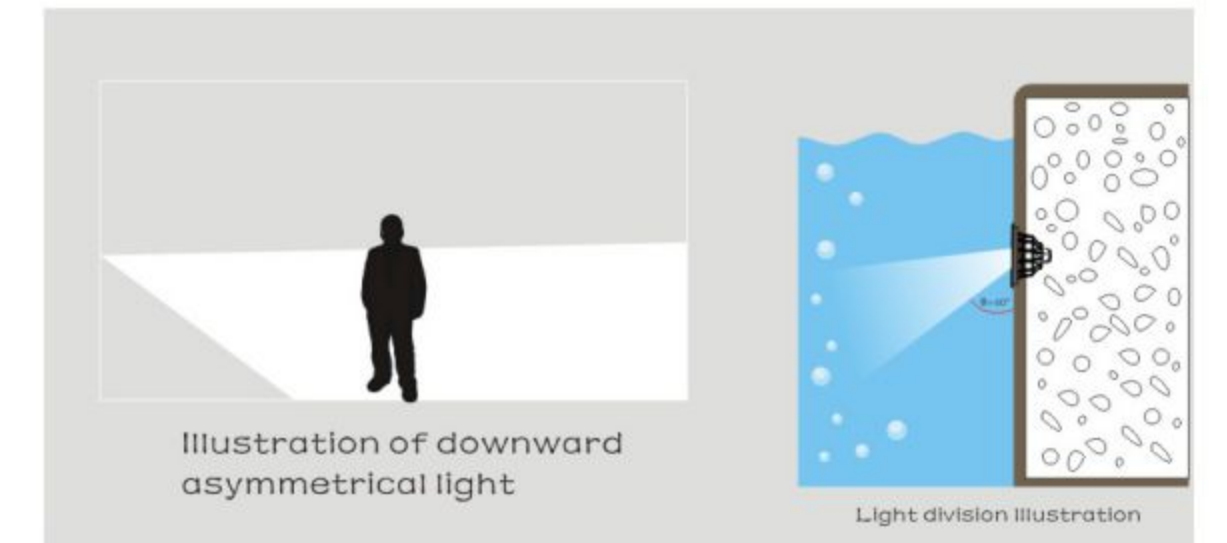
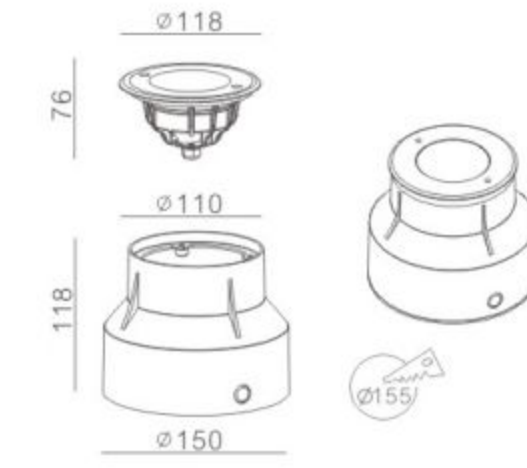
24VDC

901311A

LED: OSRAM 3000K CRI 80
 POWER: 7.2W
 OPTIC: P
 OUTPUT: 443Lm
 CABLE/CLASS: H05RN-F 2*1.00mm²
 DIMENSION: Ø118*76mm
 HOLE SIZE: Ø155mm

COLOR FINISHINGS:

■ AISI 316L



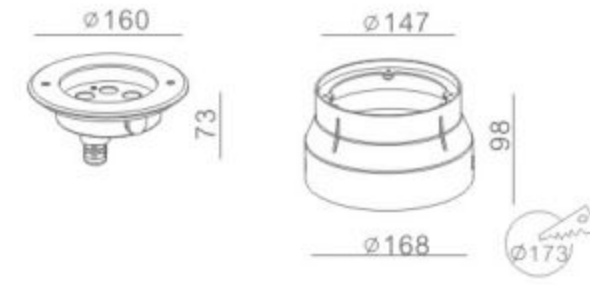


M DC

24VDC

901911

LED: OSRAM 3000K CRI 80
 POWER: 14.4W
 OPTIC: 30°
 OUTPUT: 610Lm
 CABLE/CLASS: H05RN-F 2*1.00mm²
 DIMENSION: Ø160*73mm
 HOLE SIZE: Ø173mm



OPTIONS:



COLOR FINISHINGS:

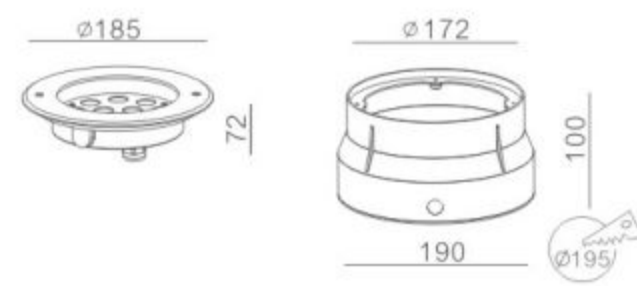


L DC

24VDC

902911

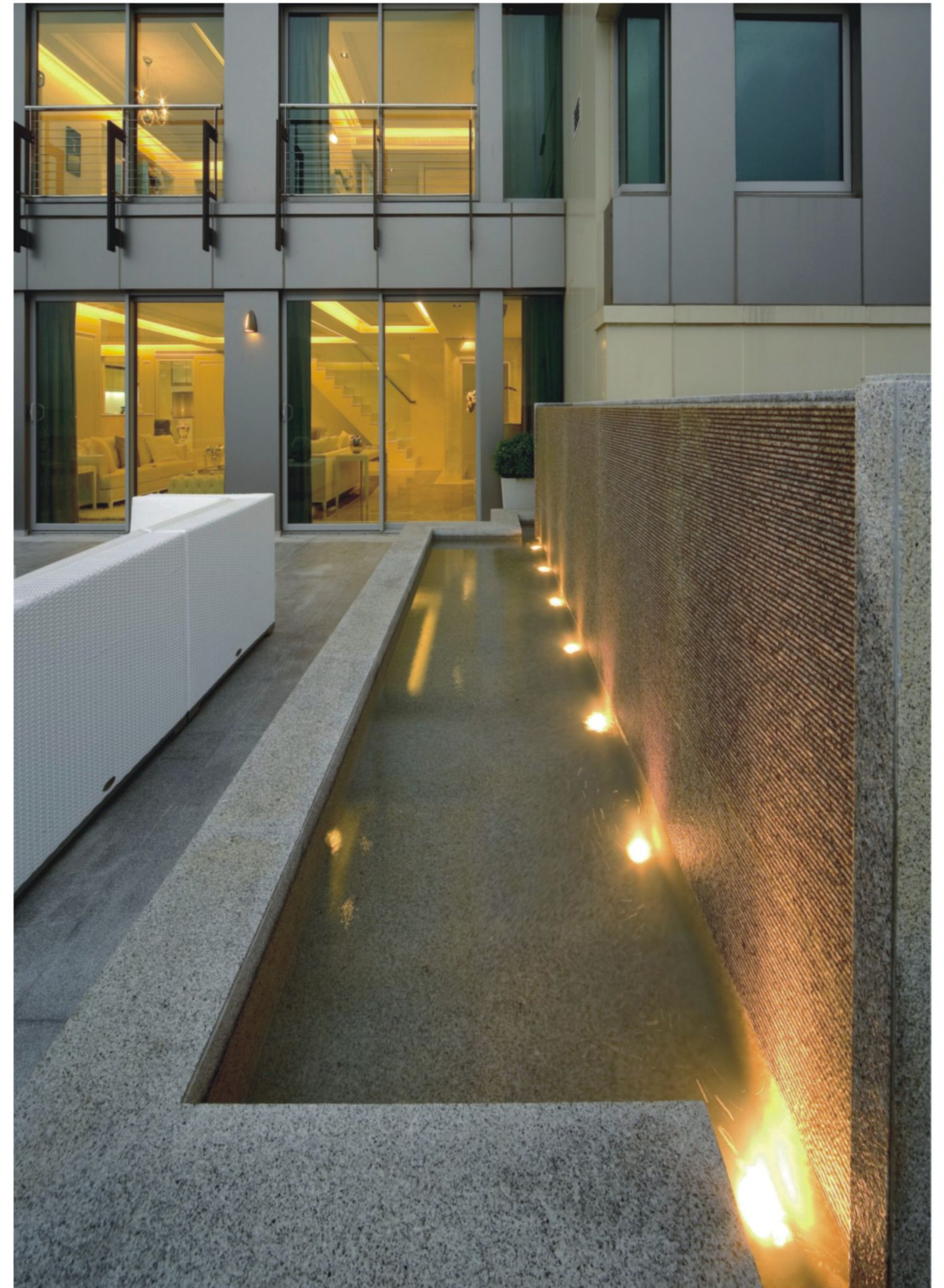
LED: OSRAM 3000K CRI 80
 POWER: 28.8W
 OPTIC: 30°
 OUTPUT: 1100Lm
 CABLE/CLASS: H05RN-F 2*1.00mm²
 DIMENSION: Ø185*72mm
 HOLE SIZE: Ø195mm

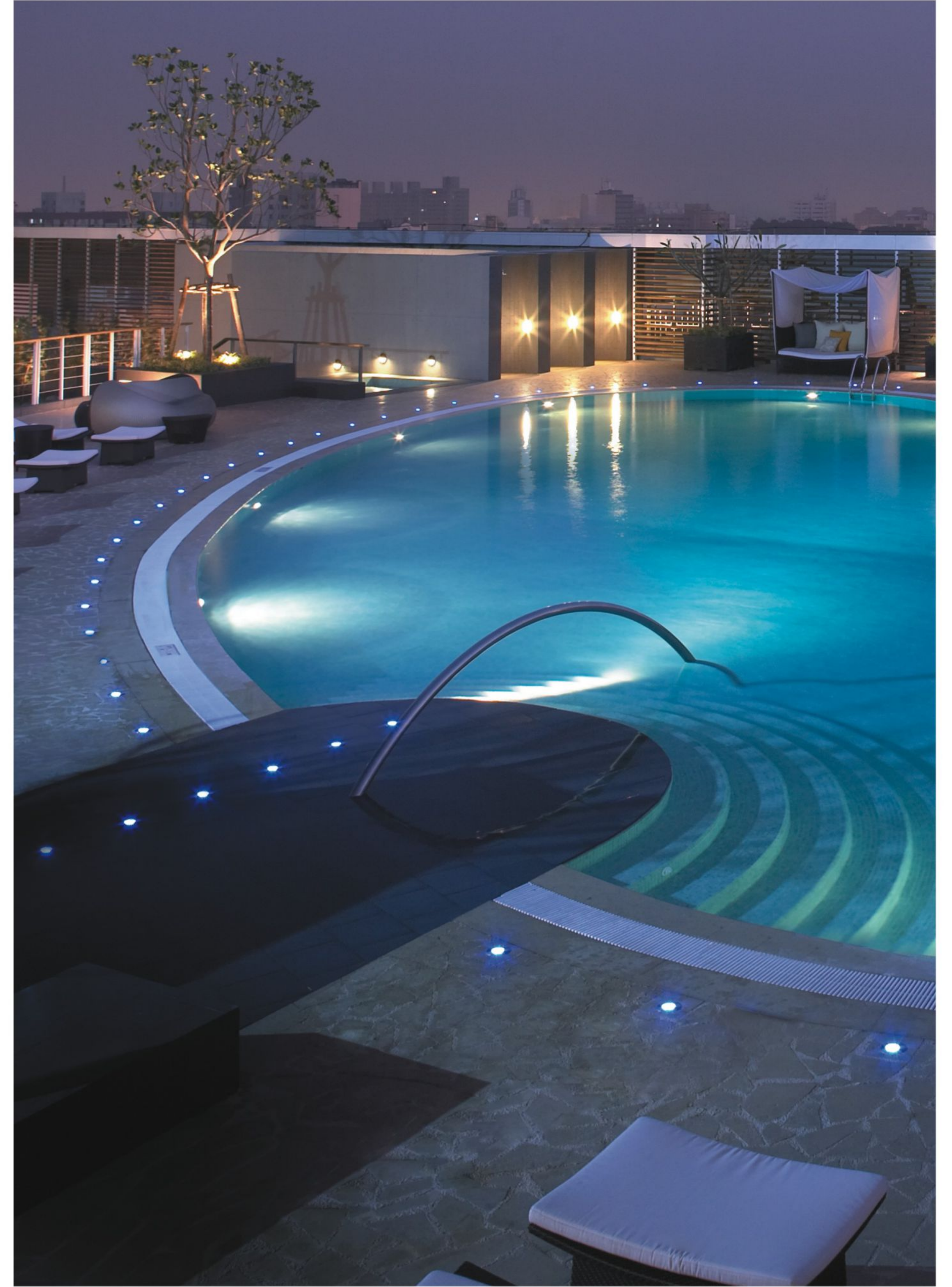


OPTIONS:



COLOR FINISHINGS:





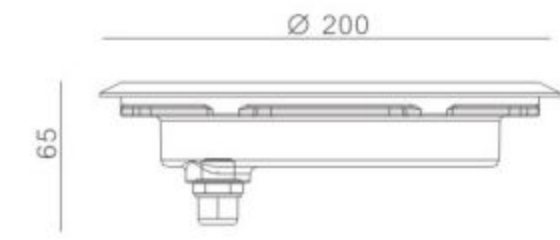


DC

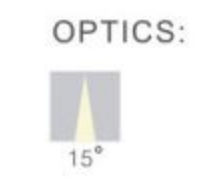
24VDC

904111A

LED: OSRAM 3000K CRI 80
POWER: 21.6W
OPTIC: 30°
OUTPUT: 825Lm
CABLE/CLASS: H05RN-F 2*1.00mm²
DIMENSION: Ø200*65mm
HOLE SIZE: /



OPTIONS:



COLOR FINISHINGS:



PYXIS

This special underwater luminaire is the best choice for fountain illumination, it provides perfect light effect. PYXIS has two main versions: monochrome and RGB 3IN1.

CCC CE IP68 24VDC

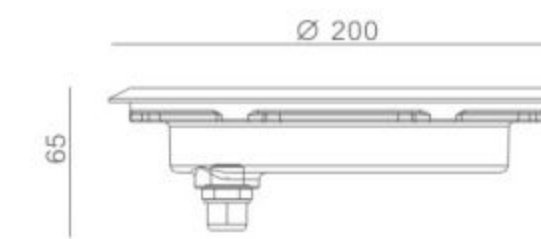




RGB

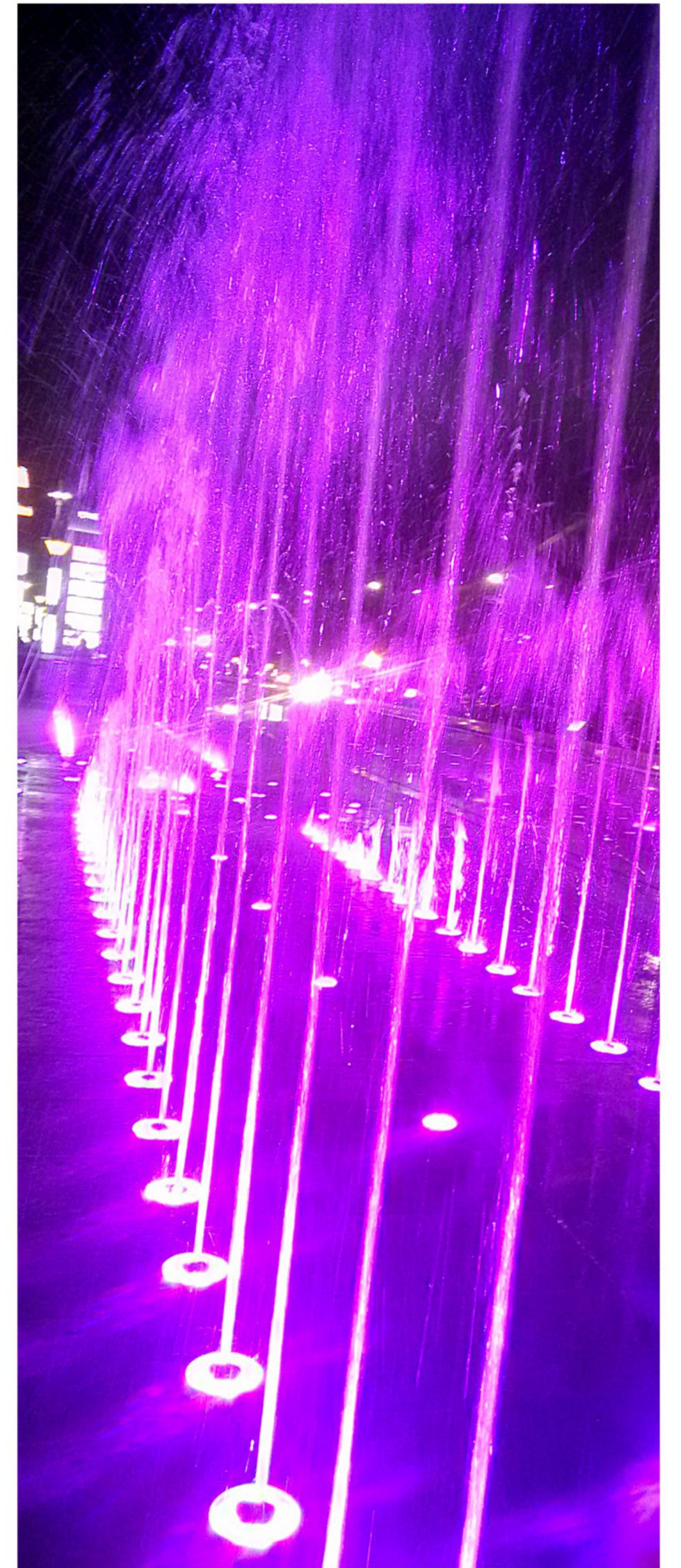
24V RGB 3IN1 904414 

LED: EDISON RGB 3IN1
 POWER: 25.2W
 OPTIC: 30°
 CABLE/CLASS: H05RN-F 4*0.75mm²
 DIMENSION: Ø200*65mm
 HOLE SIZE: /



COLOR FINISHINGS:

 AISI 316L





175



EXTERIOR UNDER WATER

176

UDETECTOR

Thanks to its special adjustable structure,
UDETECTOR can create unique lighting pattern under water.
4 dimensions are available for choice: 1, 3, 6, 12 LED.
All versions could be monochrome or RGB 3IN1.

© CE IP68 24VDC

177

UDETECTOR
SS DC / SS RGB



PAGE 179

UDETECTOR
S DC / S RGB



PAGE 180

UDETECTOR
M DC / M RGB



PAGE 181

UDETECTOR
L DC / L RGB



PAGE 182

178



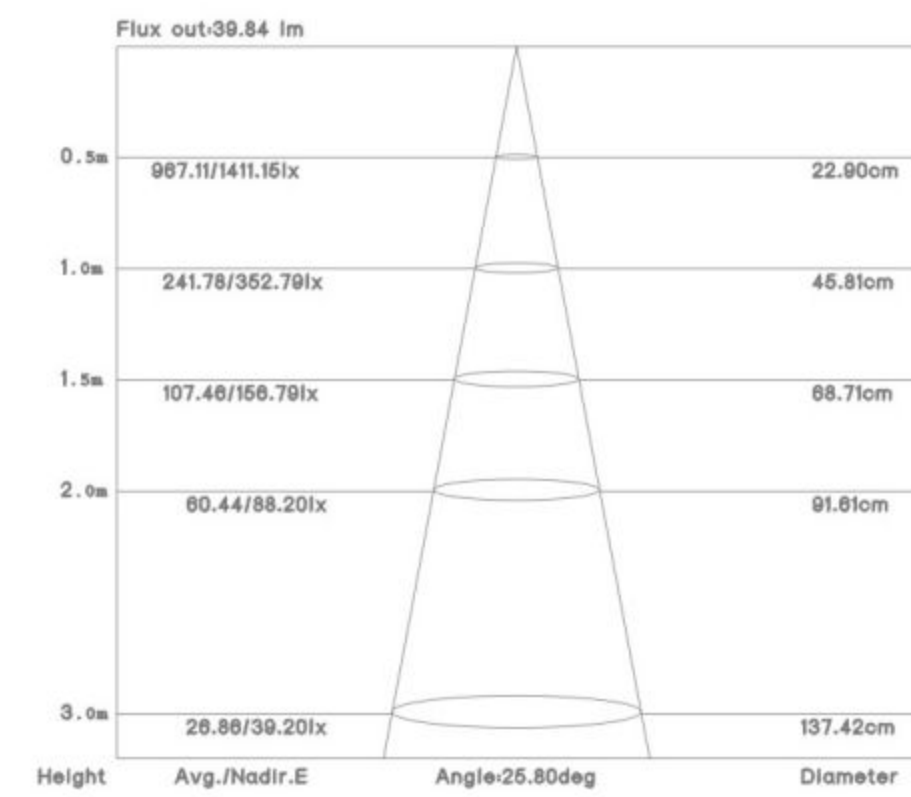
SS DC / SS RGB



S DC / S RGB

24VDC 915111

LED: EDISON 3000K CRI 80
 POWER: 2.4W
 OPTIC: 25°
 OUTPUT: 119Lm
 CABLE/CLASS: H05RN-F 2*1.0mm²
 DIMENSION: Ø63*92*74mm
 HOLE SIZE: /



OPTIONS:

OPTICS:



COLOR FINISHINGS:



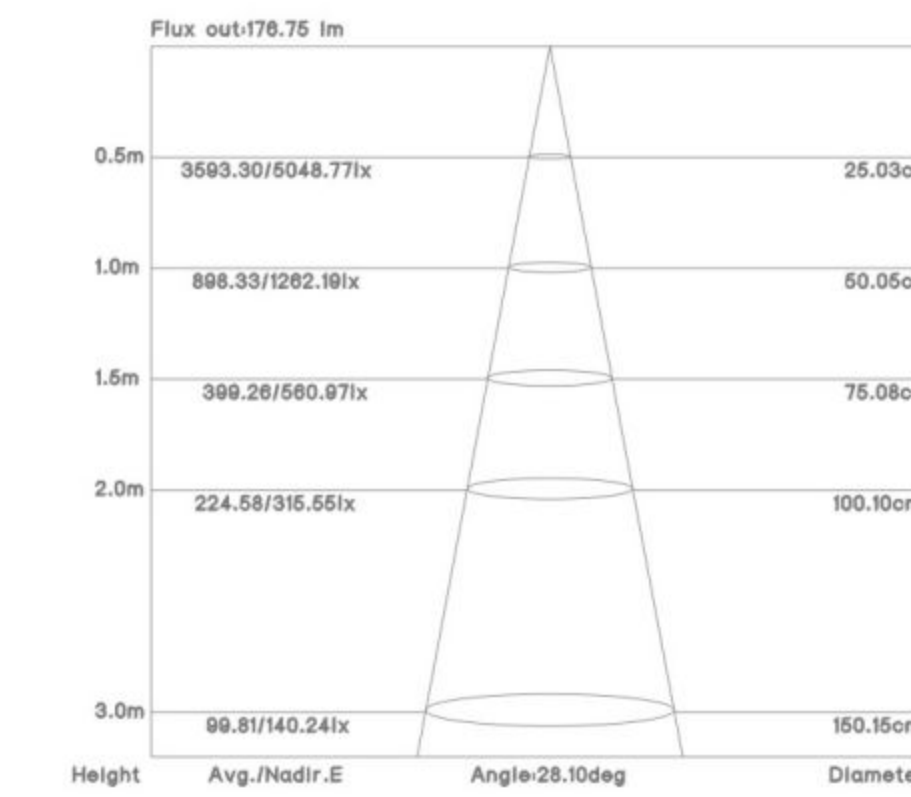
24VDC RGB 3IN1 915214

LED: EDISON RGB 3IN1
 POWER: 4.1W
 OPTIC: 25°
 CABLE/CLASS: H05RN-F 4*0.75mm²
 DIMENSION: Ø63*92*74mm
 HOLE SIZE: /



24VDC 915611A

LED: OSRAM 3000K CRI 80
 POWER: 7.2W
 OPTIC: 30°
 OUTPUT: 397Lm
 CABLE/CLASS: H05RN-F 2*1.0mm²
 DIMENSION: Ø104*72*165mm
 HOLE SIZE: /



OPTIONS:

OPTICS:

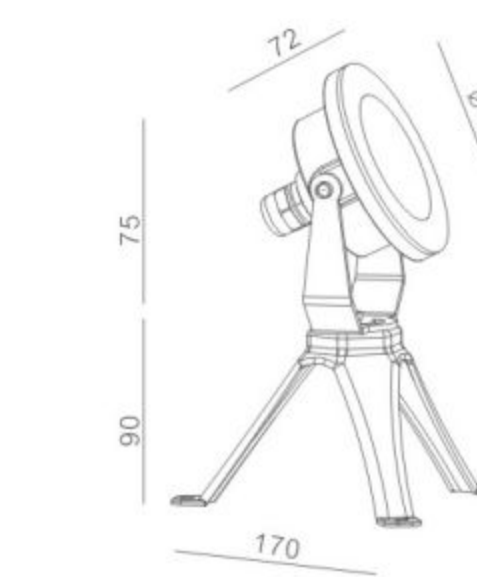


COLOR FINISHINGS:



24VDC RGB 3IN1 915914

LED: EDISON RGB 3IN1
 POWER: 8.4W
 OPTIC: 30°
 CABLE/CLASS: H05RN-F 4*0.75mm²
 DIMENSION: Ø104*72*165mm
 HOLE SIZE: /





M DC / M RGB



L DC / L RGB

24VDC 916611A 

LED: OSRAM 3000K CRI 80
 POWER: 14.4W
 OPTIC: 30°
 OUTPUT: 550Lm
 CABLE/CLASS: H05RN-F 2*1.0mm²
 DIMENSION: Ø140*72*87mm
 HOLE SIZE: /

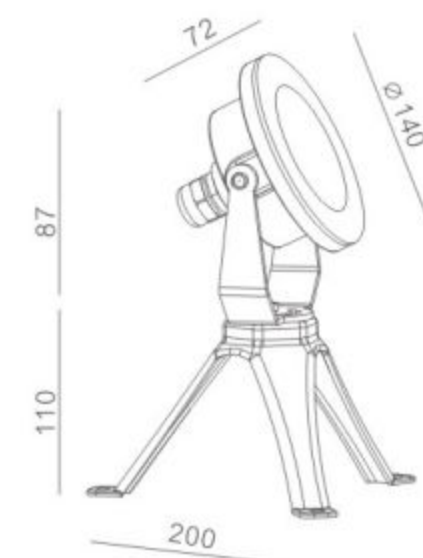
OPTIONS:

OPTICS:



COLOR FINISHINGS:

 AISI 316L



24VDC RGB 3IN1 916714 

LED: EDISON RGB 3IN1
 POWER: 16.8W
 OPTIC: 30°
 CABLE/CLASS: H05RN-F 4*0.75mm²
 DIMENSION: Ø140*72*87mm
 HOLE SIZE: /

24VDC 917211A 

LED: OSRAM 3000K CRI 80
 POWER: 28.8W
 OPTIC: 30°
 OUTPUT: 1100Lm
 CABLE/CLASS: H05RN-F 2*1.0mm²
 DIMENSION: Ø160*69*100mm
 HOLE SIZE: /

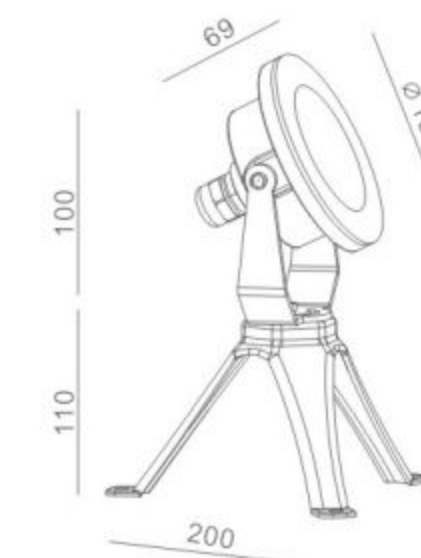
OPTIONS:

OPTICS:



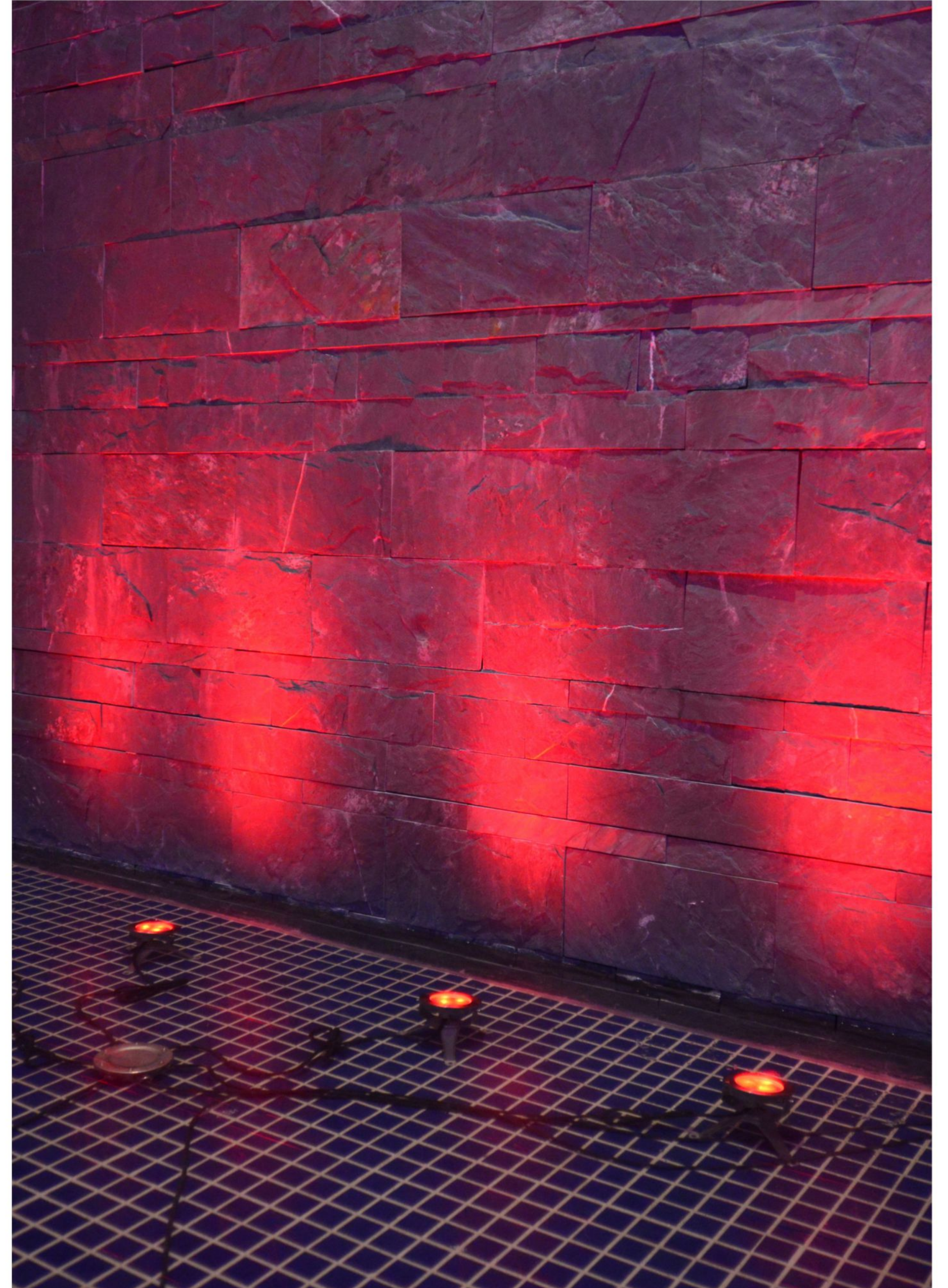
COLOR FINISHINGS:

 AISI 316L



24VDC RGB 3IN1 917514 

LED: EDISON RGB 3IN1
 POWER: 33.6W
 OPTIC: 30°
 CABLE/CLASS: H05RN-F 4*0.75mm²
 DIMENSION: Ø160*69*100mm
 HOLE SIZE: /





EXTERIOR PROFESSIONAL

21-78	INGROUND	■
81-134	GARDEN SPOT	■
137-138	WALL	■
141-152	WALL WASHER	■
155-184	UNDER WATER	■

EXTERIOR INSPIRATION

189-194	INGROUND	■
197-244	GARDEN SPOT	■
247-296	WALL	■

ACCESSORIES

299-304	ELECTRICAL SYSTEM	■
305-310	EXTERIOR ACCESSORIES	■

INGROUND



HALO
190



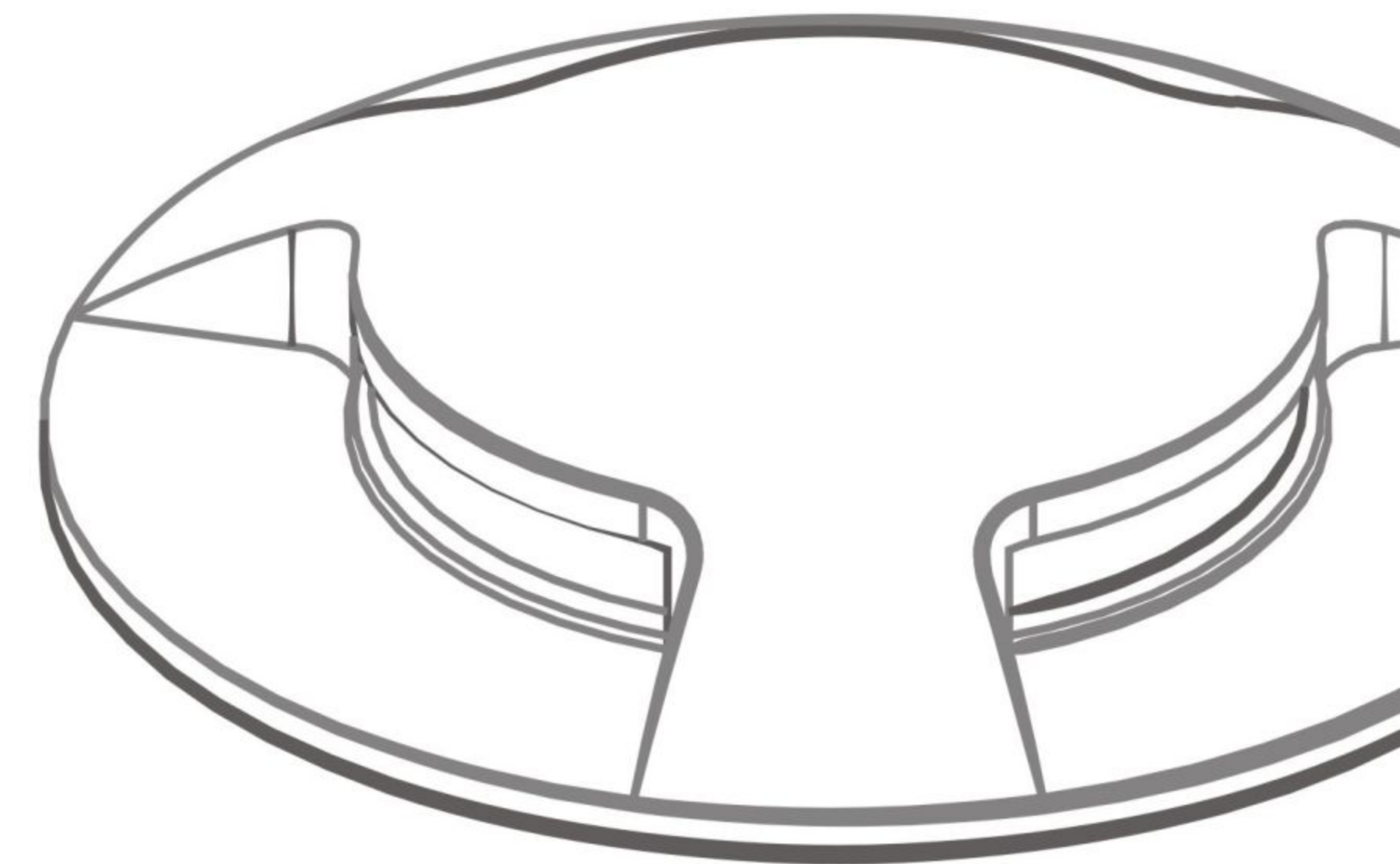
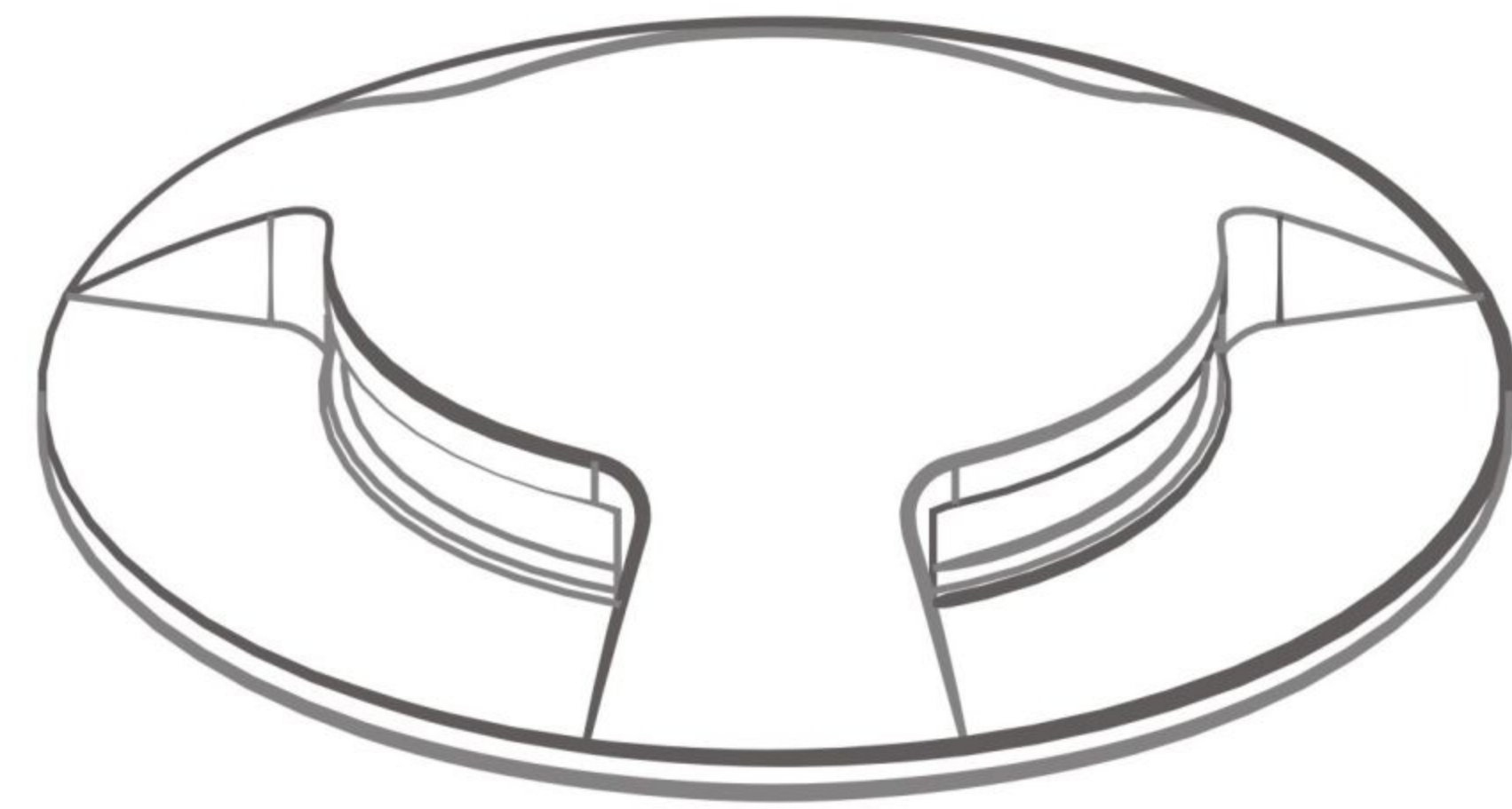
**SURROUND
AISI316 R1**
192



**SURROUND
AISI316 R2**
192



**SURROUND
AISI316 R3**
192





HALO

Thanks to its elegant and unique design, HALO delivers the intense aureole light effect, enhancing the esthetic character of the project. HALO could be installed in the wall or into the ground. This splendid fitting is the best choice for guidance lighting.

CCC CE IP67 24VDC 100-240VAC



HALO DC / HALO

24VDC 646911

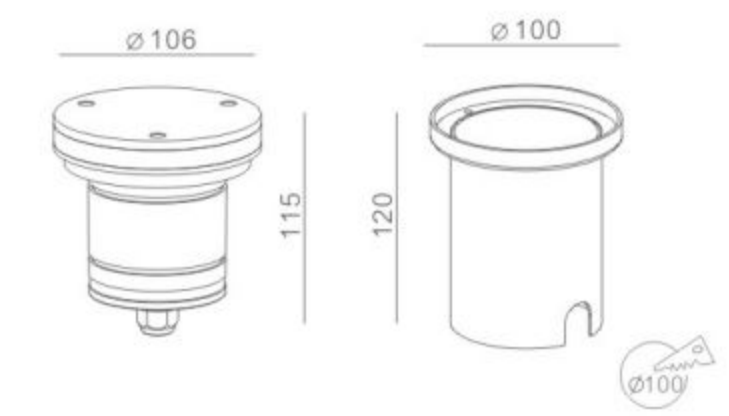
LED: CREE (XB-D) 3000K CRI 80
 POWER: 7.2W
 OPTIC: R3
 OUTPUT: 103 Lm
 CABLE/CLASS: H05RN-F 2*0.75mm²
 DIMENSION: Ø106*115mm
 HOLE SIZE: Ø100mm

100-240VAC 647011

LED: CREE (XB-D) 3000K CRI 80
 POWER: 7.8W
 OPTIC: R3
 OUTPUT: 103 Lm
 CABLE/CLASS: H05RN-F 3*0.75mm²
 DIMENSION: Ø106*115mm
 HOLE SIZE: Ø100mm

COLOR FINISHINGS:

PGY



HALO

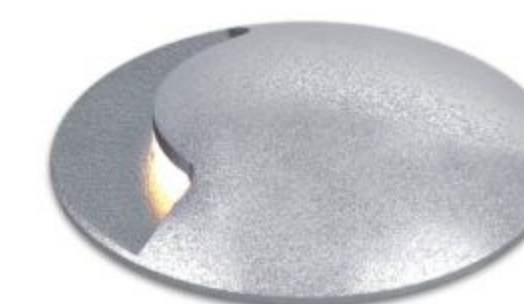




SURROUND

Special collection of in-ground luminaire
 SURROUND is the best choice for both guiding and decorative function.
 Wide choice of outer cover with different forms
 makes it possible to create unique lighting patterns on the ground,
 be it one, two three, or more rays.
 Available in both stainless steel and anodized aluminum versions.

© CE IP67 24VDC 100-240VAC



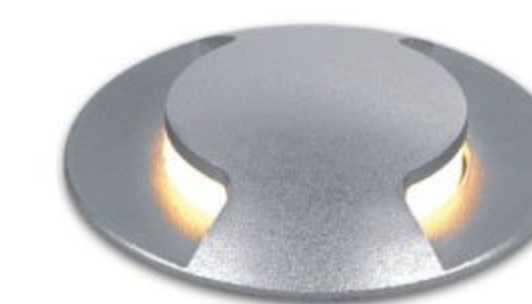
AISI316 R1 DC / AISI316 R1

24VDC 647911A

LED: OSRAM 3000K CRI 80
 POWER: 2.4W
 OUTPUT: 20 Lm
 CABLE/CLASS: H05RN-F 2*0.75mm²
 DIMENSION: Ø55*75mm
 HOLE SIZE: Ø45mm/Ø70mm

100-240VAC 648011A

LED: OSRAM 3000K CRI 80
 POWER: 2.6W
 OUTPUT: 20 Lm
 CABLE/CLASS: H05RN-F 3*0.75mm²
 DIMENSION: Ø55*75mm
 HOLE SIZE: Ø45mm/Ø70mm



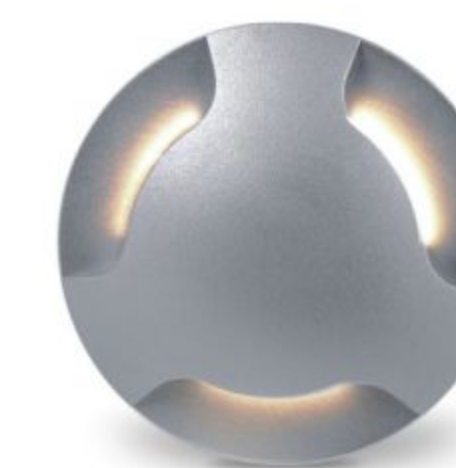
AISI316 R2 DC / AISI316 R2

24VDC 648111A

LED: OSRAM 3000K CRI 80
 POWER: 2.4W
 OUTPUT: 35Lm
 CABLE/CLASS: H05RN-F 2*0.75mm²
 DIMENSION: Ø55*75mm
 HOLE SIZE: Ø45mm/Ø70mm

100-240VAC 648211A

LED: OSRAM 3000K CRI 80
 POWER: 2.6W
 OUTPUT: 35Lm
 CABLE/CLASS: H05RN-F 3*0.75mm²
 DIMENSION: Ø55*75mm
 HOLE SIZE: Ø45mm/Ø70mm



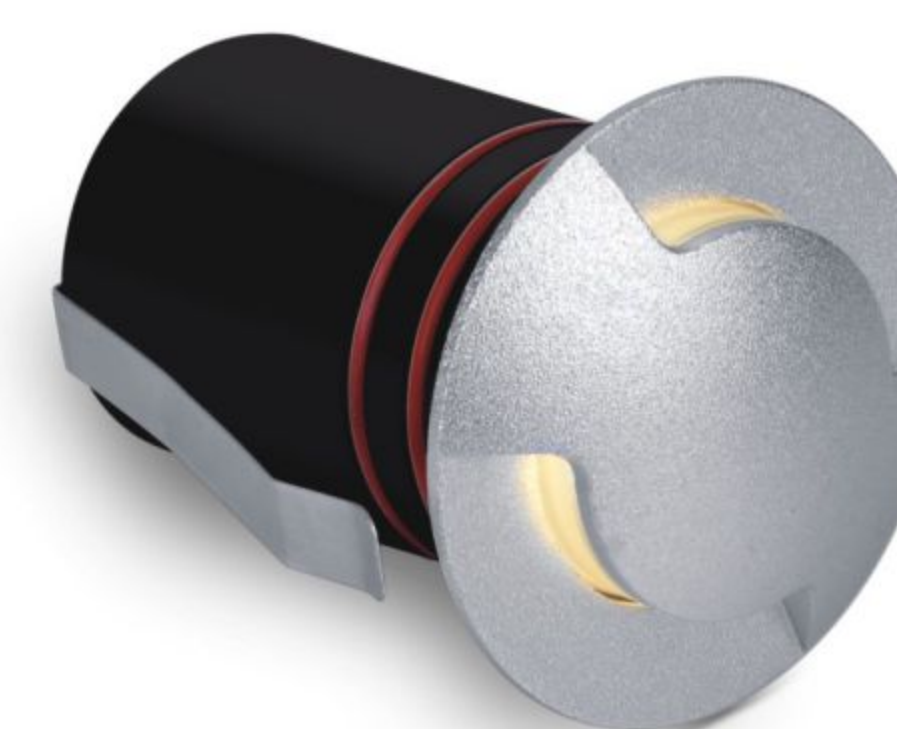
AISI316 R3 DC / AISI316 R3

24VDC 657517A

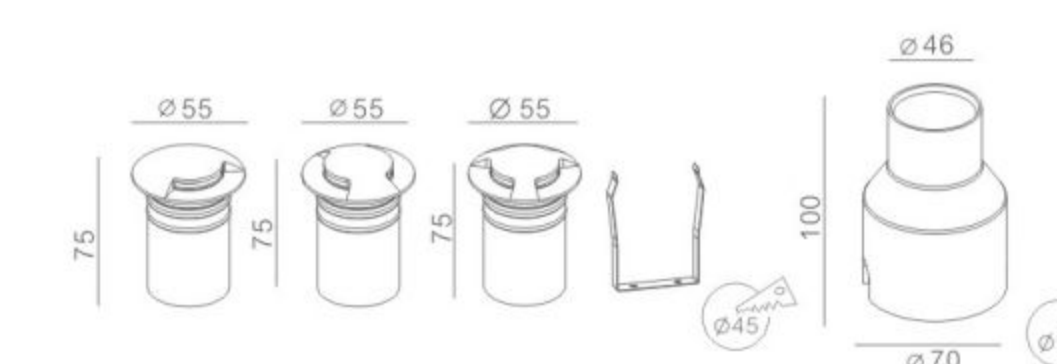
LED: OSRAM 3000K CRI 80
 POWER: 2.4W
 OUTPUT: 40Lm
 CABLE/CLASS: H05RN-F 2*0.75mm²
 DIMENSION: Ø55*75mm
 HOLE SIZE: Ø45mm/Ø70mm

100-240VAC 657617A

LED: OSRAM 3000K CRI 80
 POWER: 2.6W
 OUTPUT: 40Lm
 CABLE/CLASS: H05RN-F 3*0.75mm²
 DIMENSION: Ø55*75mm
 HOLE SIZE: Ø45mm/Ø70mm



COLOR FINISHINGS:





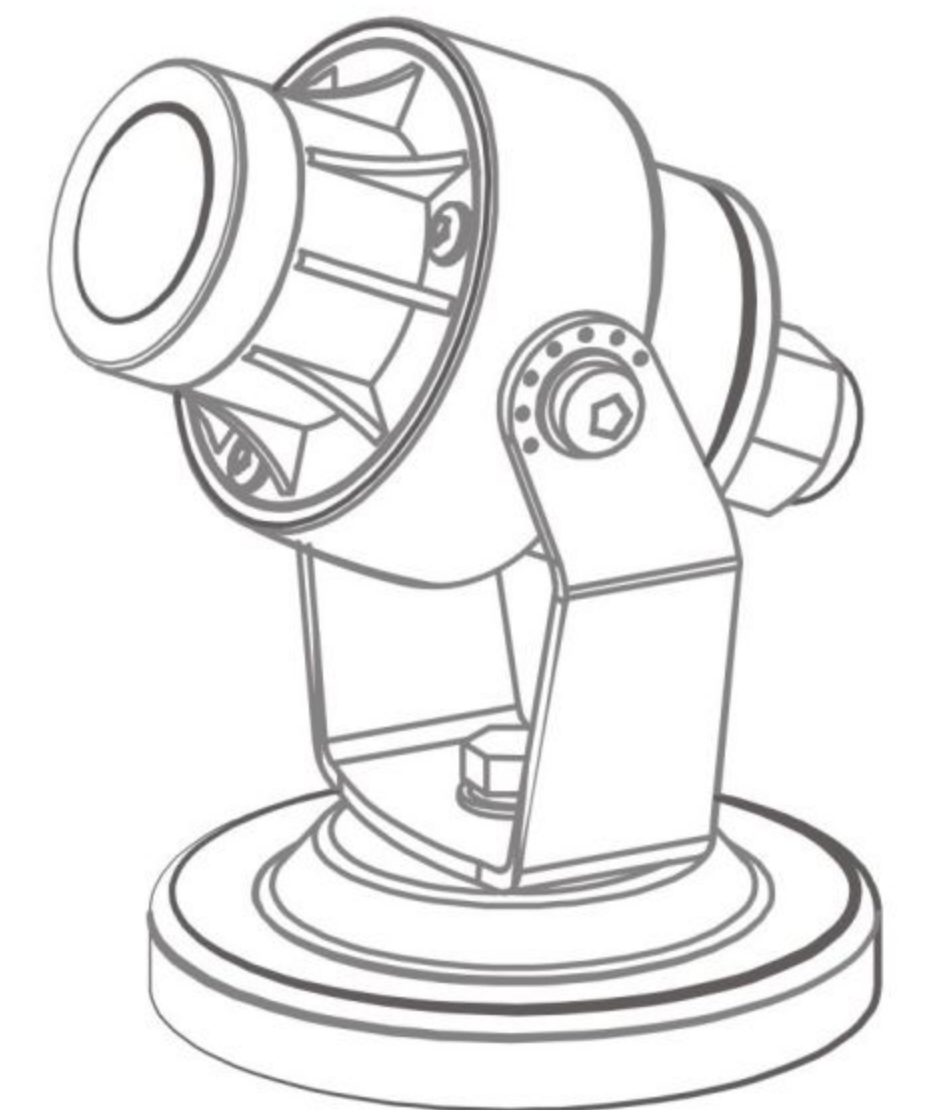
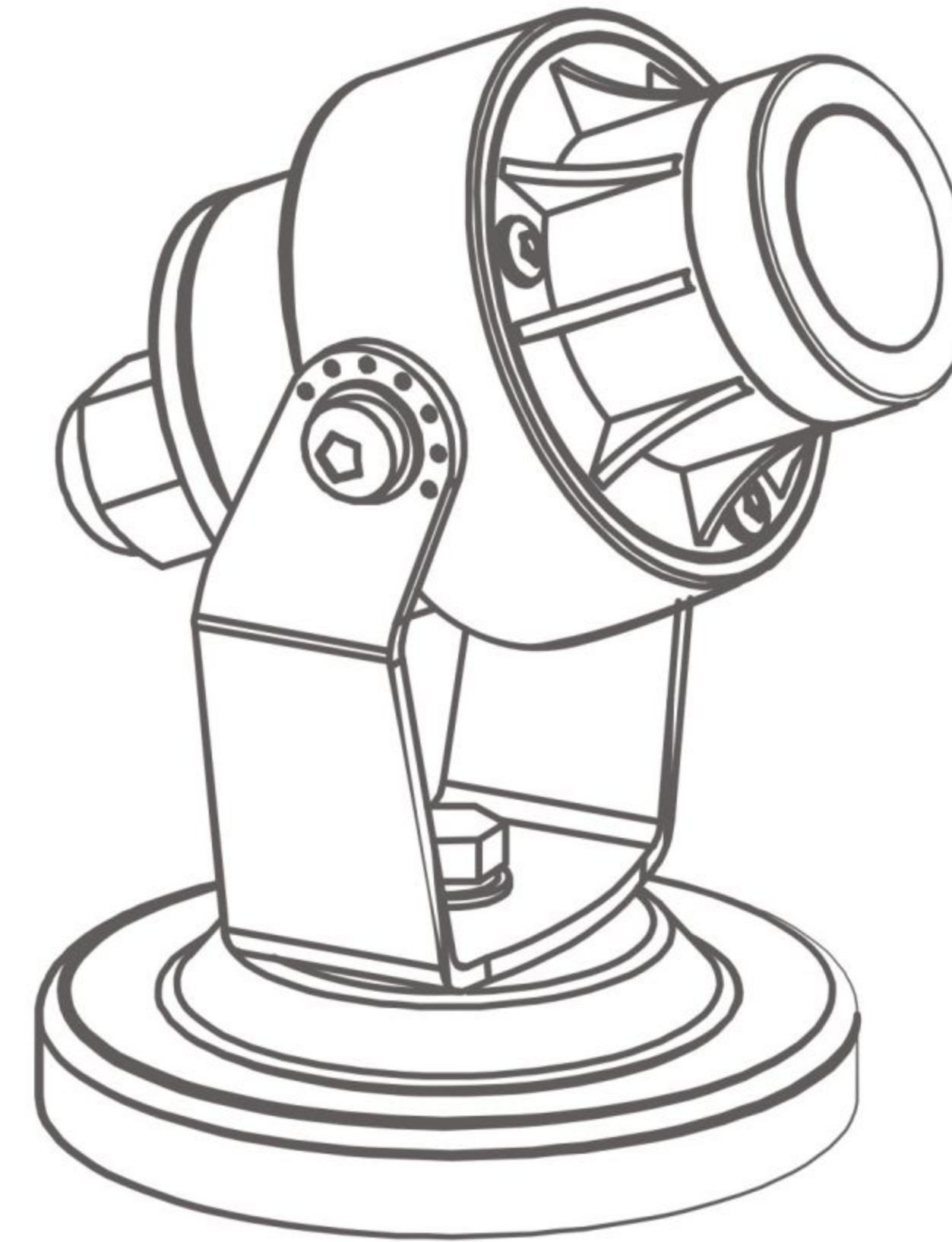
GARDEN SPOT



LOOK
198



STEVE 2.0
200





LOOK

This retro looking 2.4W tiny luminaire LOOK with its special design can give additional dynamic atmosphere to the landscape, perfectly guiding your way. LOOK can be installed both on the wall or mounted on the ground, both applications will provide perfect light effect. Mounting spike and installation plate are both available.

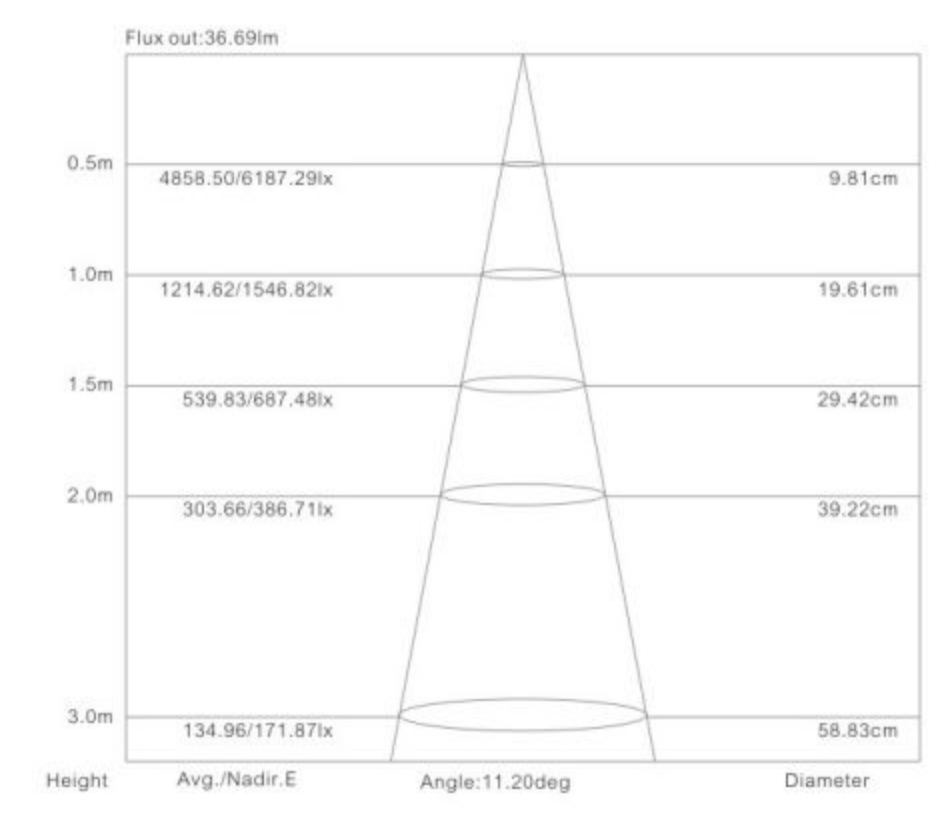
CCC CE IP65 24VDC 100-240VAC



LOOK DC / LOOK

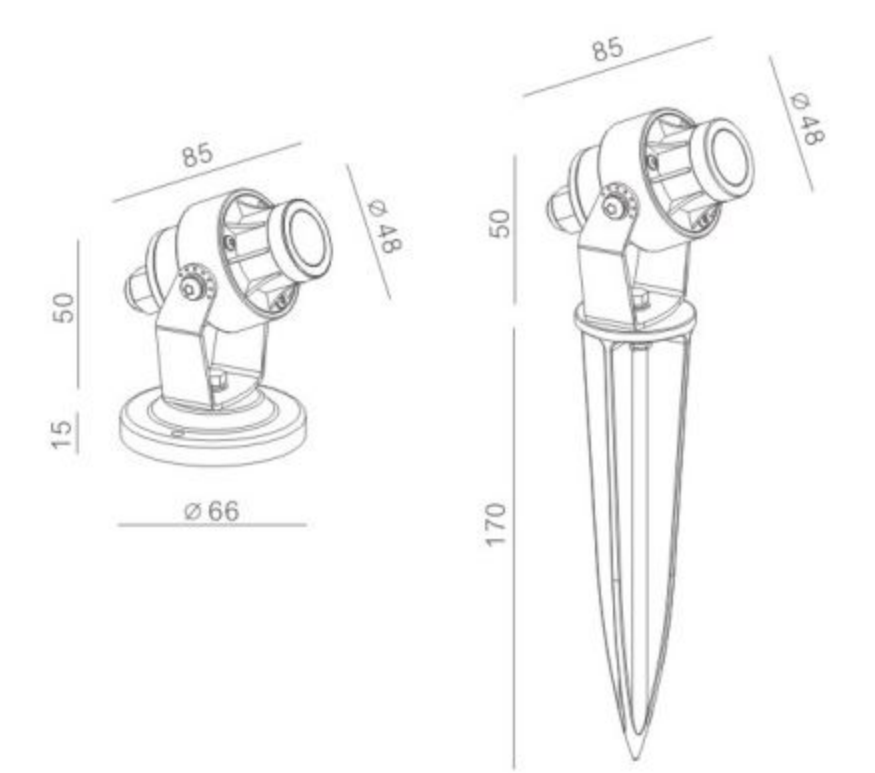
24VDC 722211A

LED: OSRAM 3000K CRI 80
 POWER: 2.4W
 OPTIC: 15°
 OUTPUT: 115Lm
 CABLE/CLASS: H05RN-F 2*0.75mm²
 DIMENSION: Ø48*85*50mm
 HOLE SIZE: /



100-240VAC 722311A

LED: OSRAM 3000K CRI 80
 POWER: 2.6W
 OPTIC: 15°
 OUTPUT: 115Lm
 CABLE/CLASS: H05RN-F 3*0.75mm²
 DIMENSION: Ø48*85*50mm
 HOLE SIZE: /



COLOR FINISHINGS:

- PGY
- PCS



STEVE 2.0

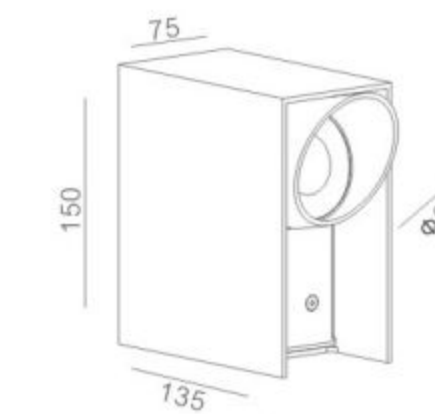
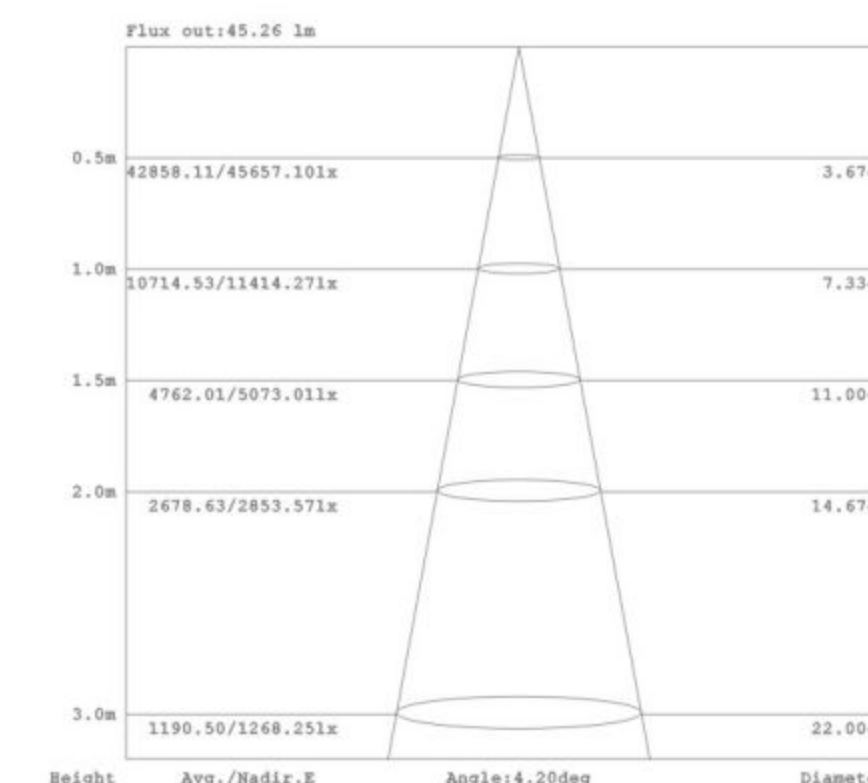
Thanks to its miniature size and extra slim shape, STEVE has become the best solution for outdoor floor surface light for the areas where necessary to light a path without disturbing surrounding landscape. Due to perfect combination of 7W LED together with 5-degree lens, the light beam becomes long and extremely narrow. To create special light effect on facades STEVE could be also used as wall mounted fitting.

CCC CE IP65 100-240VAC



100-240VAC 730317

LED: OSRAM 3000K CRI 80
 POWER: 2.5W
 OPTIC: 4.2°
 OUTPUT: 148Lm
 CABLE/CLASS: H05RN-F 3*0.75mm²
 DIMENSION: 135*75*150mm
 HOLE SIZE: /



COLOR FINISHINGS:



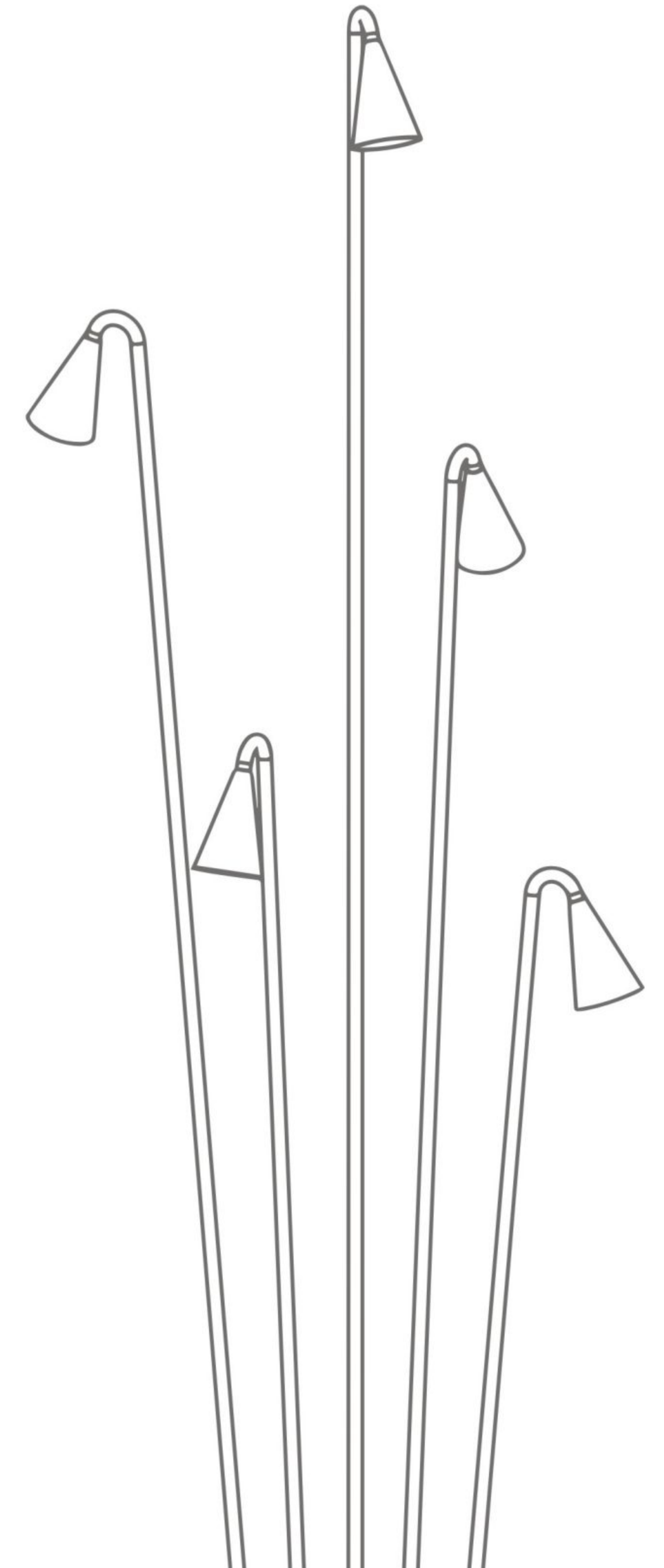
PGY

GARDEN SPOT (H)

 NEW		 NEW			
ARGO 205	BEACON 208	DISCUS H 211	ETERNITY 200 214	ETERNITY D200 216	ETERNITY 600 214
					
ETERNITY D600 216	GRUS 400 218	GRUS 700 218	GRUS 1000 218	GRUS M 219	GRUS L 220
					 NEW
JOY 300 223	JOY 600 223	JOY 900 223	LANCER 300 226	LANCER 600 228	LEEO H 231
 NEW	 NEW	 NEW			
LIBRA 300 234	LIBRA 600 234	LIBRA 900 234	TETRIS 300 238	TETRIS 600 238	TETRIS 900 238
					
TETRIS D300 240	TETRIS D600 240	TETRIS D900 240	WAY 300 241	WAY 600 241	WAY 900 241

201

202



ARGO

New philosophy of landscape lighting ARGO has already become one of the best solutions for the garden luminaires.

Thanks to its special asymmetric optics, ARGO creates special triangle-shaped light effect. In addition, spike helps to make installation process much easier.

CCC CE IP65 24VDC 100-240VAC



ANGLE P

ARGO

EXTERIOR GARDEN SPOT



600 DC / 600

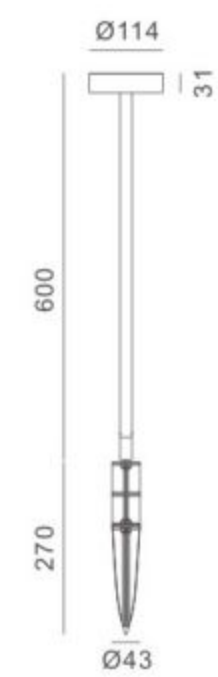
205

24VDC 732211

LED: CREE 3000K CRI 90
 POWER: 6.3W
 OPTIC: P
 OUTPUT: 231Lm
 CABLE/CLASS: H05RN-F 2*0.75mm²
 DIMENSION: Ø114*870mm
 HOLE SIZE: /

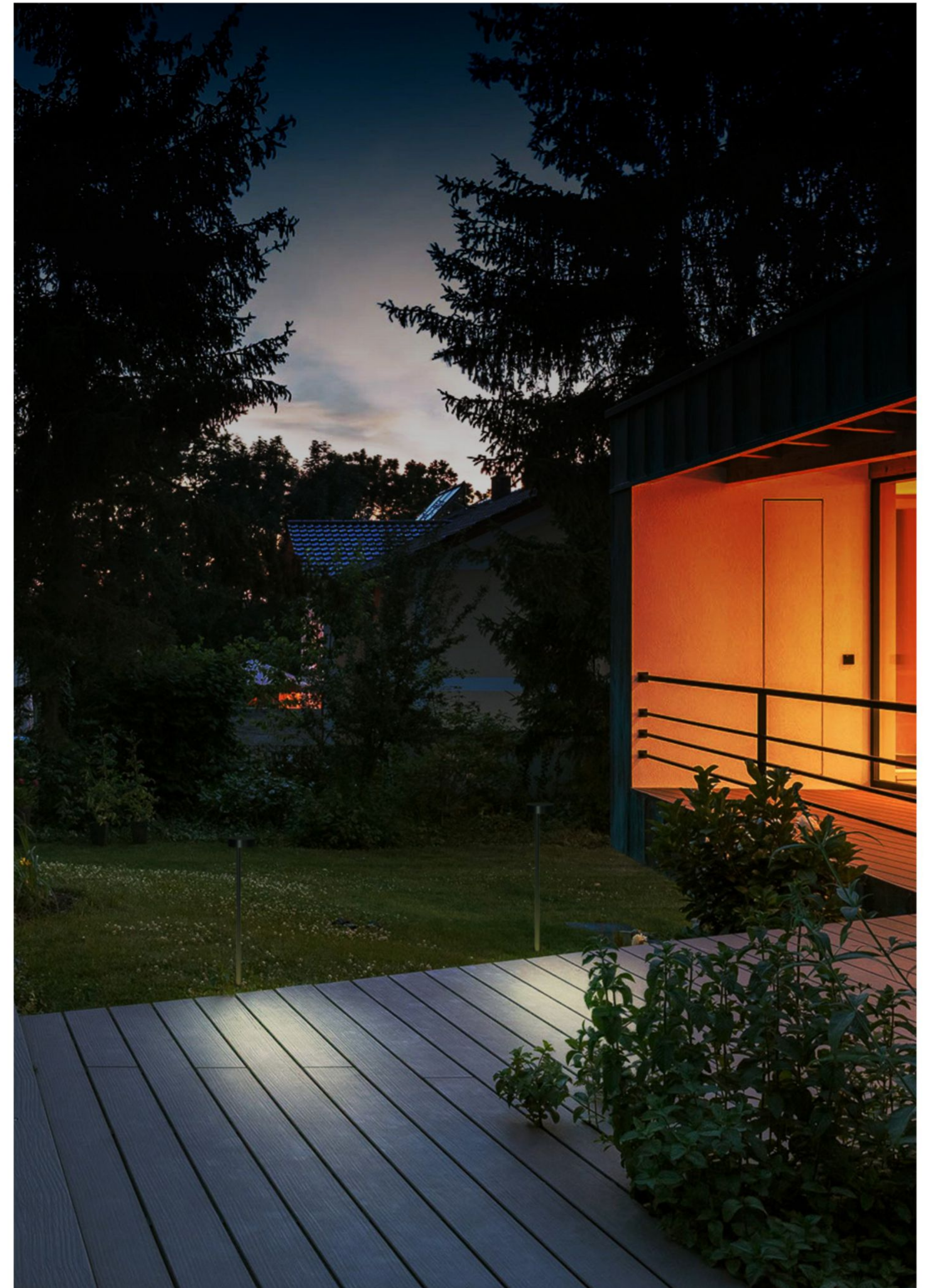
100-240VAC 732111A

LED: CREE 3000K CRI 90
 POWER: 7.6W
 OPTIC: P
 OUTPUT: 191Lm
 CABLE/CLASS: H05RN-F 3*0.75mm²
 DIMENSION: Ø114*870mm
 HOLE SIZE: /



COLOR FINISHINGS:

PGY



EXTERIOR GARDEN SPOT

206

BEACON

BEACON is perfect choice for creating warm and elegant atmosphere for the landscape. Slim elegant tube with 585 mm height can match any outside environment. Soft oblique asymmetric light perfectly illuminates the way without any glare.

© CE IP65 24VDC 100-240VAC



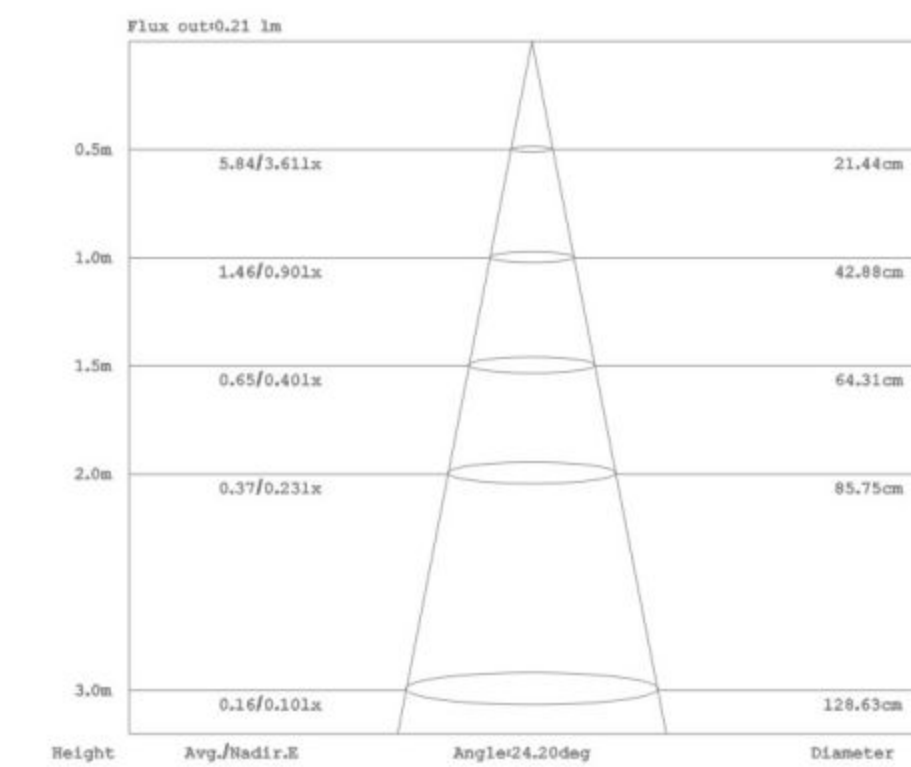
BEACON DC / BEACON

24VDC 726217

LED: OSRAM 3000K CRI 80
 POWER: 2.4W
 OPTIC: F
 OUTPUT: 115Lm
 CABLE/CLASS: H05RN-F 2*0.75mm²
 DIMENSION: Ø100*585mm
 HOLE SIZE: /

100-240VAC 726317

LED: OSRAM 3000K CRI 80
 POWER: 2.6W
 OPTIC: F
 OUTPUT: 115Lm
 CABLE/CLASS: H05RN-F 3*0.75mm²
 DIMENSION: Ø100*585mm
 HOLE SIZE: /



COLOR FINISHINGS:

PGY





DISCUS

New concept design of bollard lamp.
 Unique design with routable lamp head makes it possible
 to fix the light beam with 330 degree.
 Recommended for garden and pathway lighting.

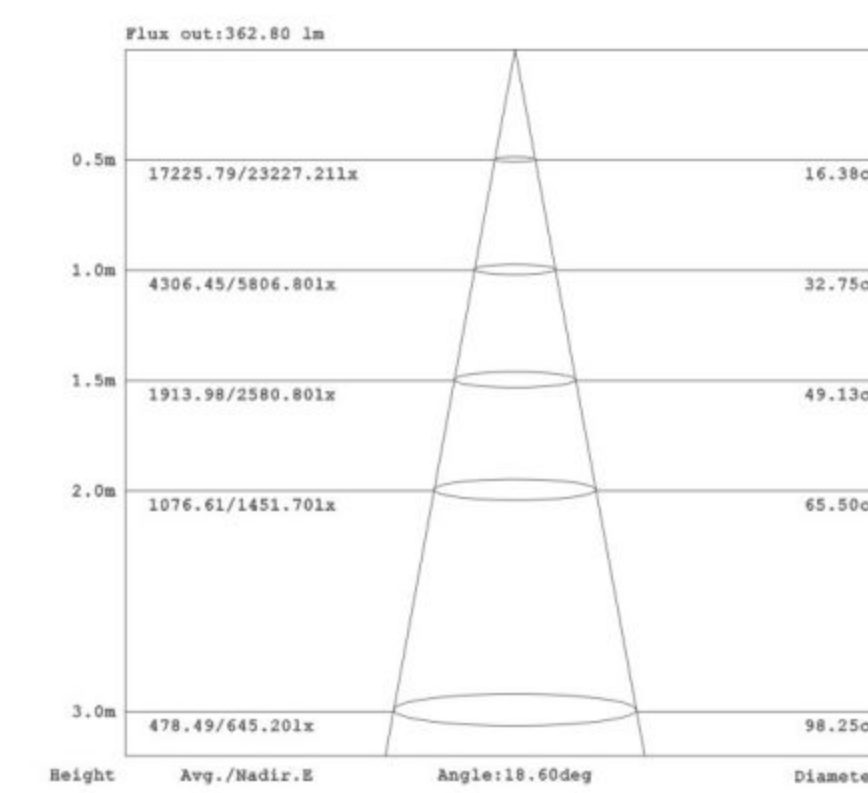
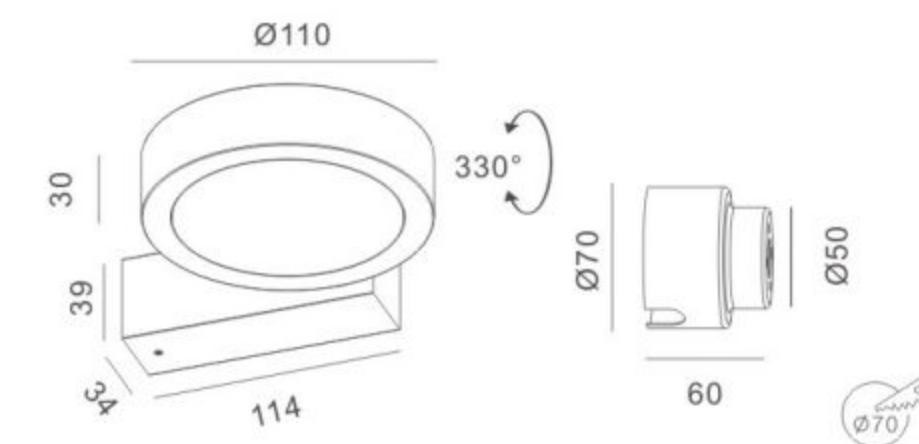
CCC CE IP65 220-240VAC



W

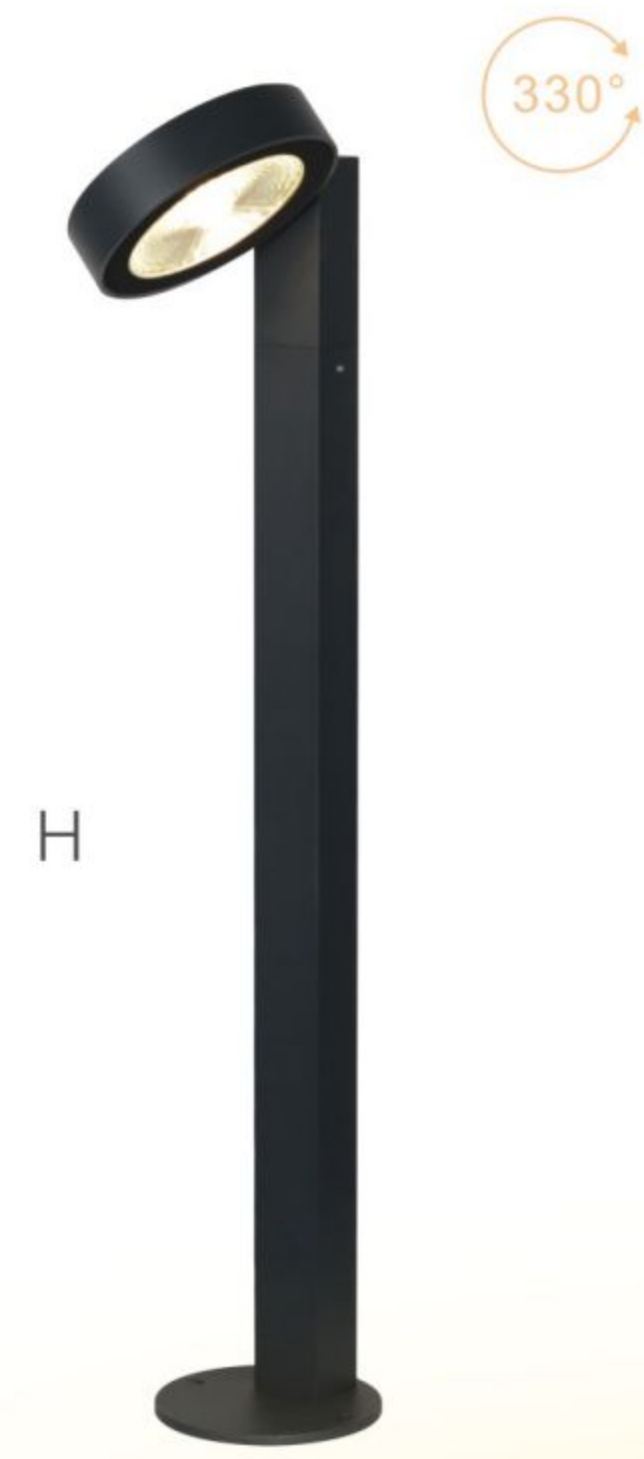
220-240VAC 434615A ⓘ

LED: LUMINUS 3000K CRI 80
 POWER: 13.7W
 OPTIC: 20°
 OUTPUT: 1031Lm
 CABLE/CLASS: H05RN-F 3*0.75mm²
 DIMENSION: 161*161.5*39mm
 HOLE SIZE: Ø70mm



COLOR FINISHINGS:

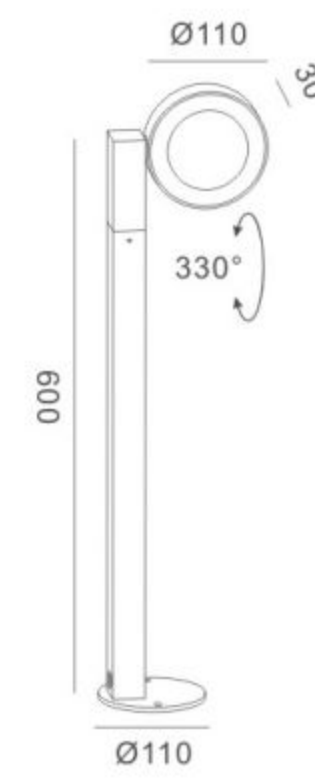
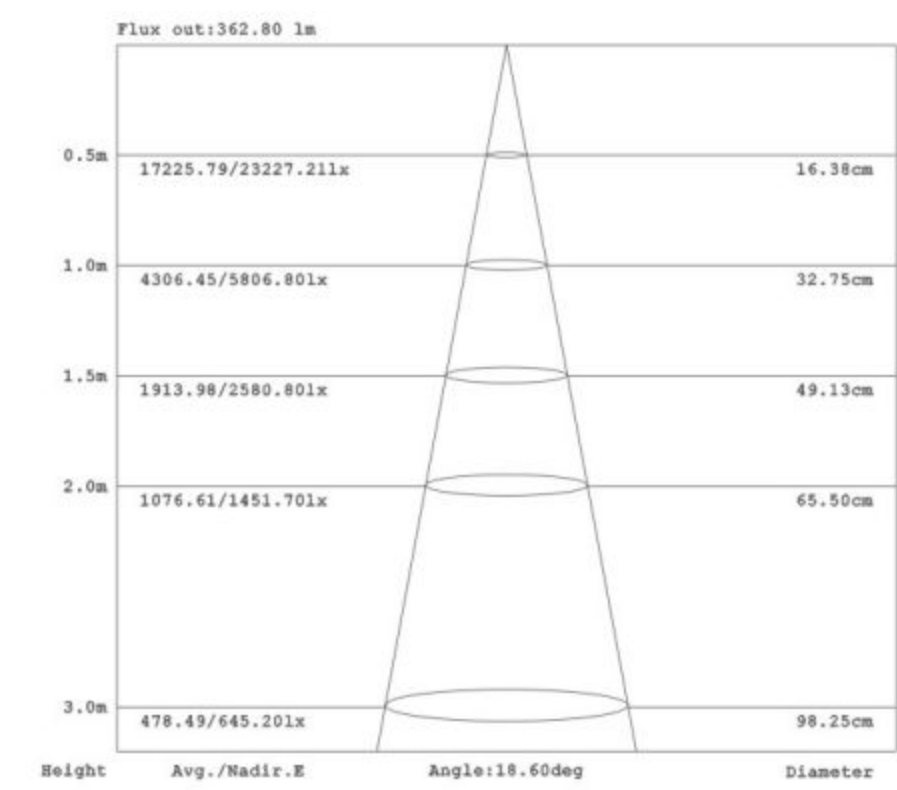
PGY



211

220-240VAC 732015

LED: LUMINUS 3000K CRI 80
 POWER: 13.7W
 OPTIC: 30°
 OUTPUT: 1031Lm
 CABLE/CLASS: H05RN-F 3*0.75mm²
 DIMENSION: 161*125*600mm
 HOLE SIZE: /



COLOR FINISHINGS:



PGY



EXTERIOR GARDEN SPOT

212



213

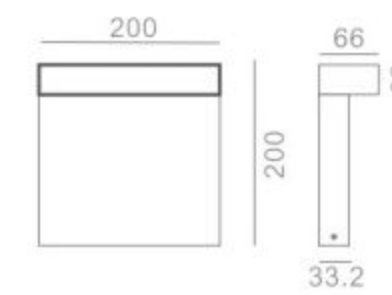
214



200/600

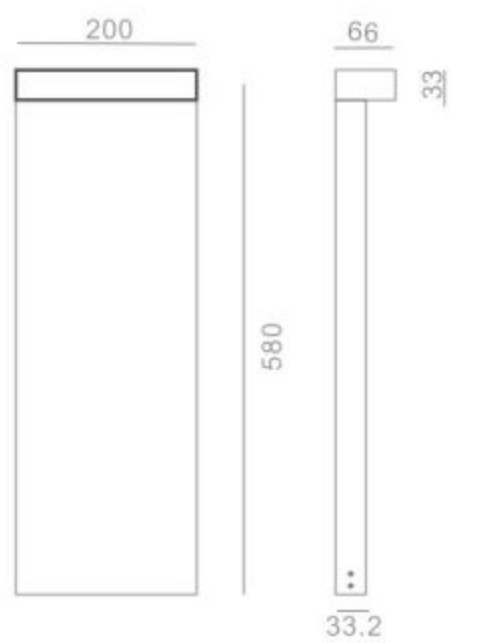
100-240VAC 728814

LED: EDISON 3000K CRI 80
POWER: 11W
OPTIC: F
OUTPUT: 330Lm
CABLE/CLASS: H05RN-F 3*0.75mm²
DIMENSION: 200*66*200mm
HOLE SIZE: /



100-240VAC 728914

LED: EDISON 3000K CRI 80
POWER: 11W
OPTIC: F
OUTPUT: 330Lm
CABLE/CLASS: H05RN-F 3*0.75mm²
DIMENSION: 200*66*580mm
HOLE SIZE: /



ETERNITY

ETERNITY series are your perfect companions when it comes to creating a warm and cosy atmosphere outside. This splendid collection is available in 2 different heights, making them useful in many applications.

© CE IP65 100-240VAC

COLOR FINISHINGS:





215



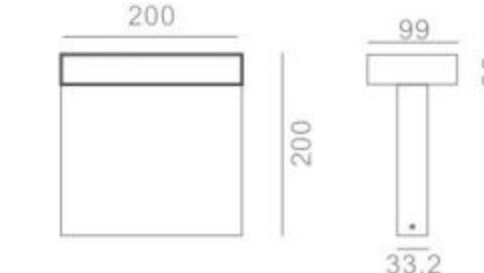
D 200/D 600

EXTERIOR GARDEN SPOT

216

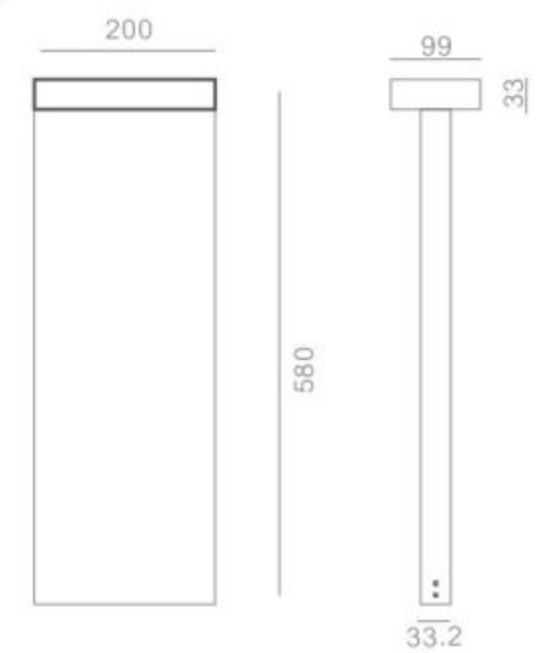
100-240VAC 729124 

LED: EDISON 3000K CRI 80
 POWER: 2*9.5W
 OPTIC: F
 OUTPUT: 631Lm
 CABLE/CLASS: H05RN-F 3*0.75mm²
 DIMENSION: 200*99*200mm
 HOLE SIZE: /



100-240VAC 729224 

LED: EDISON 3000K CRI 80
 POWER: 2*9.5W
 OPTIC: F
 OUTPUT: 631Lm
 CABLE/CLASS: H05RN-F 3*0.75mm²
 DIMENSION: 200*99*580mm
 HOLE SIZE: /



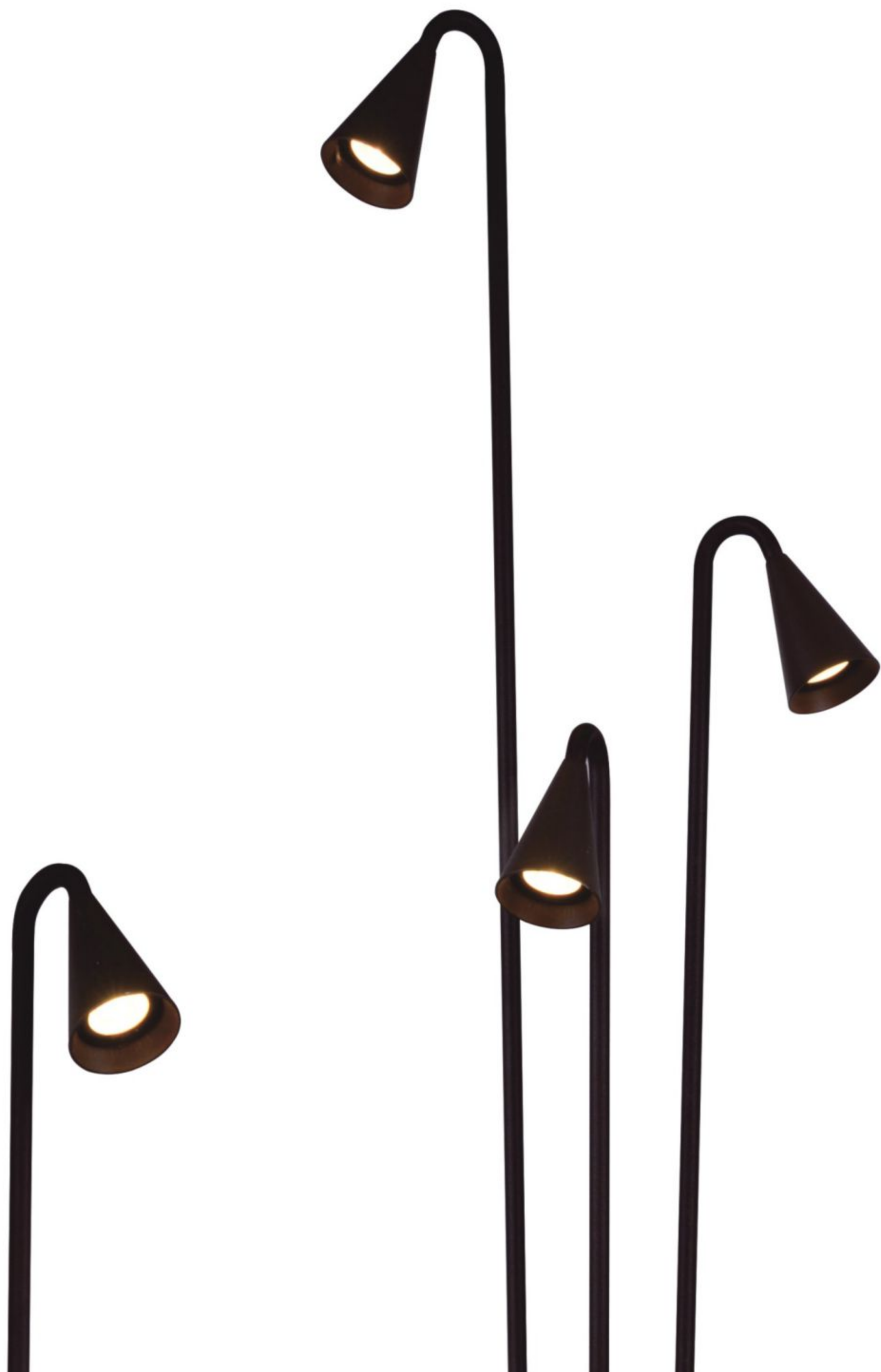
COLOR FINISHINGS:



GRUS

Thanks to unique design of GRUS,
that reminds blue bell flower, it can be easily integrated to the garden landscape.
GRUS provides intense and warm light over exterior area.
This collection consists of 3 versions: 1, 3 or 5 floor lamps.

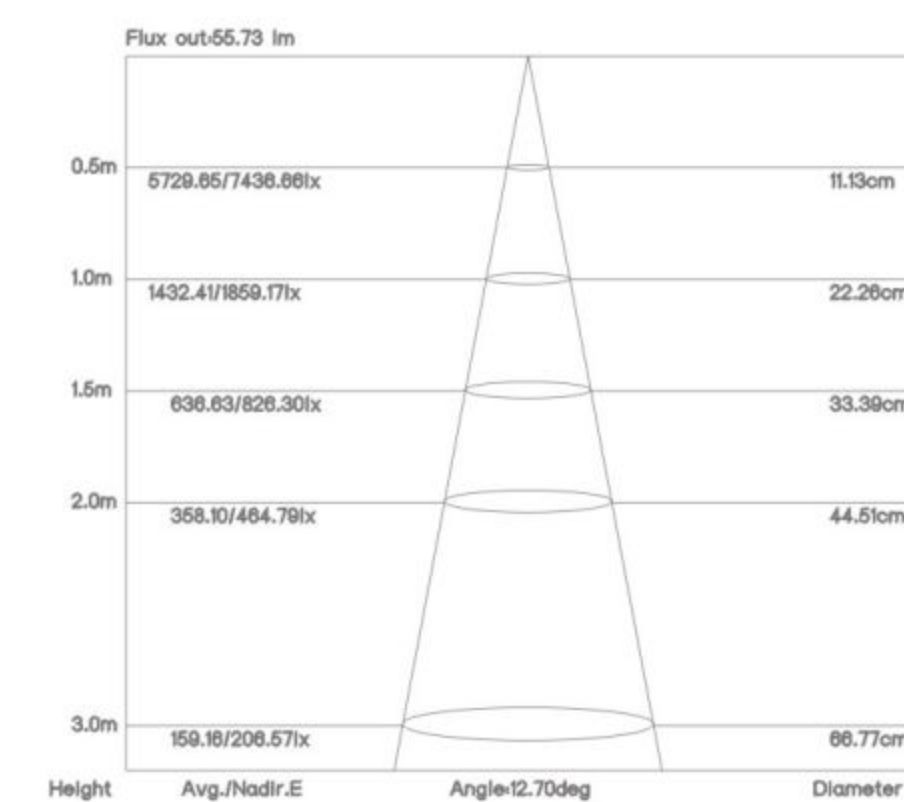
CE IP65 24VDC 100-240VAC



S 400 DC / 700 DC / 1000 DC
S 400 / 700 / 1000

24VDC 724717A/724917A/723717A

LED: OSRAM 3000K CRI 80
POWER: 2.4W
OPTIC: 12°
OUTPUT: 145Lm
CABLE/CLASS: H05RN-F 2*0.75mm²
DIMENSION: Ø80*415mm
 Ø80*715mm
 Ø80*1015mm
HOLE SIZE: Ø90mm



OPTIONS:

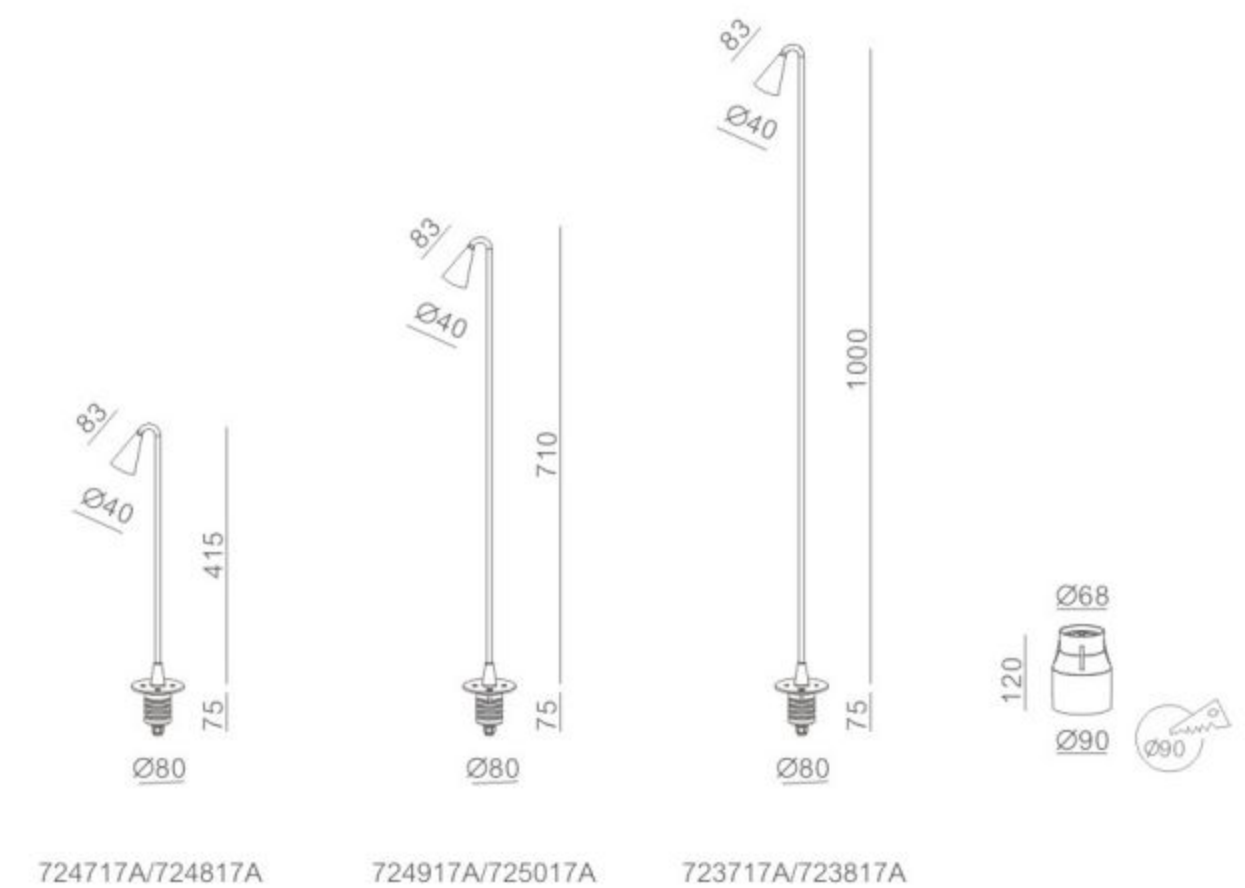


COLOR FINISHINGS:

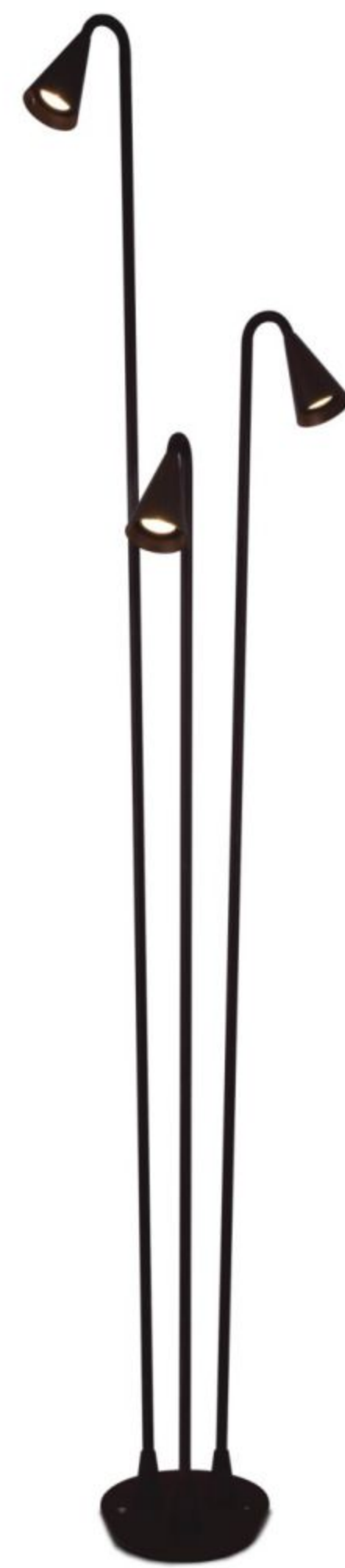
PGY PCS

100-240VAC 724817A/725017A/723817A

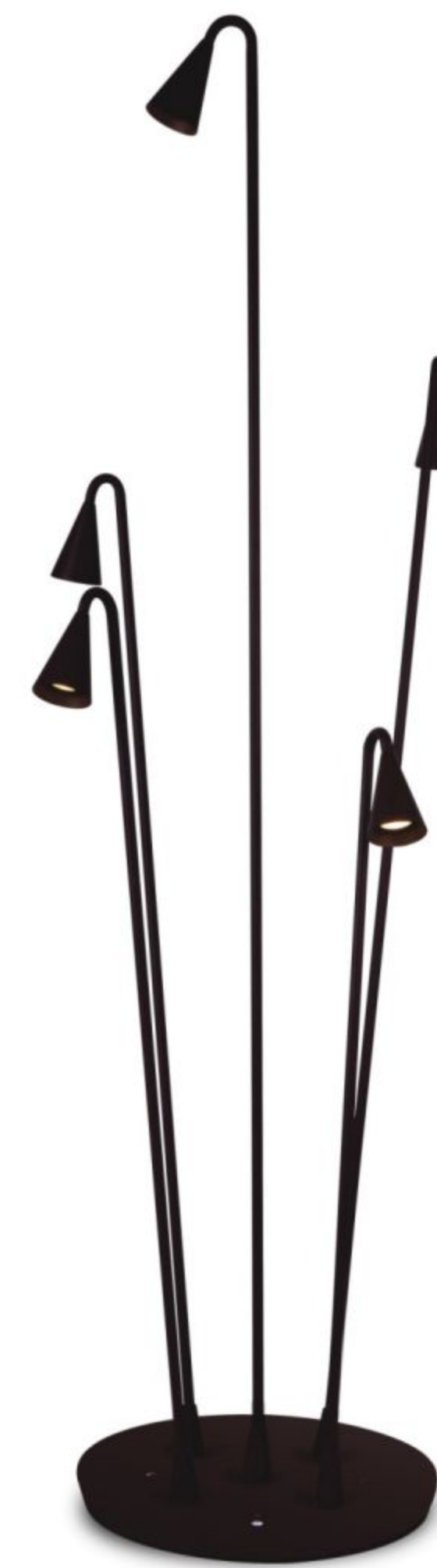
LED: OSRAM 3000K CRI 80
POWER: 2.6W
OPTIC: 12°
OUTPUT: 145Lm
CABLE/CLASS: H05RN-F 3*0.75mm²
DIMENSION: Ø80*415mm
 Ø80*715mm
 Ø80*1015mm
HOLE SIZE: Ø90mm



724717A/724817A 724917A/725017A 723717A/723817A



M DC / M



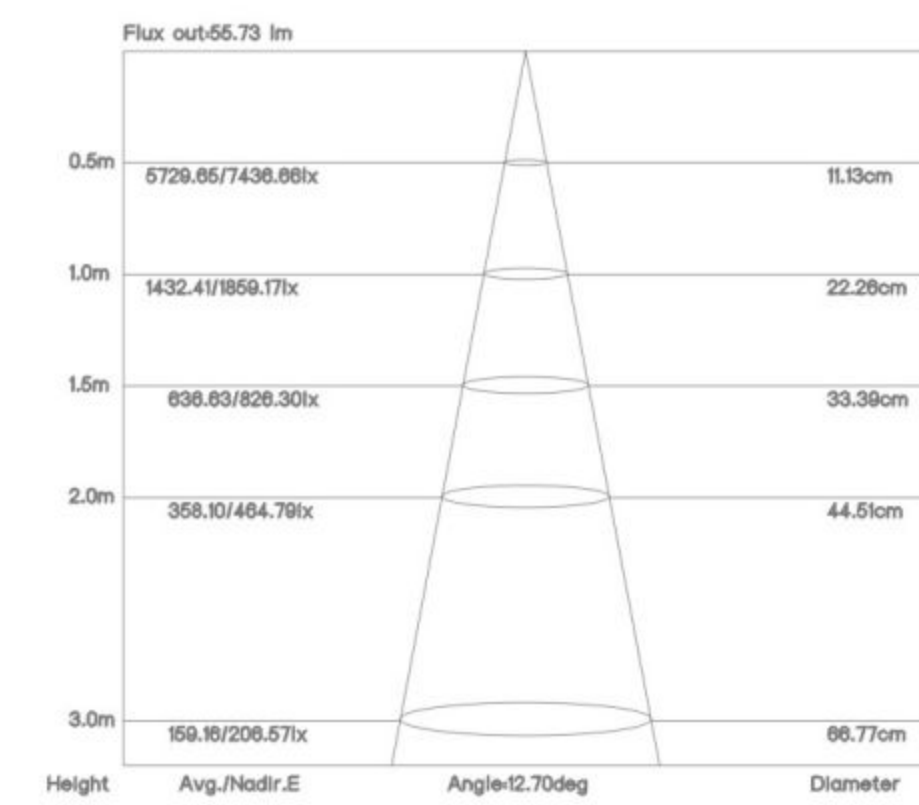
L DC / L

24VDC 723937A

LED: OSRAM 3000K CRI 80
 POWER: 3*2.4W
 OPTIC: 12°
 OUTPUT: 435Lm
 CABLE/CLASS: H05RN-F 2*0.75mm²
 DIMENSION: 150*120*1015mm
 HOLE SIZE: Ø150mm

100-240VAC 724037A

LED: OSRAM 3000K CRI 80
 POWER: 3*2.6W
 OPTIC: 12°
 OUTPUT: 435Lm
 CABLE/CLASS: H05RN-F 3*0.75mm²
 DIMENSION: 150*120*1015mm
 HOLE SIZE: Ø150mm



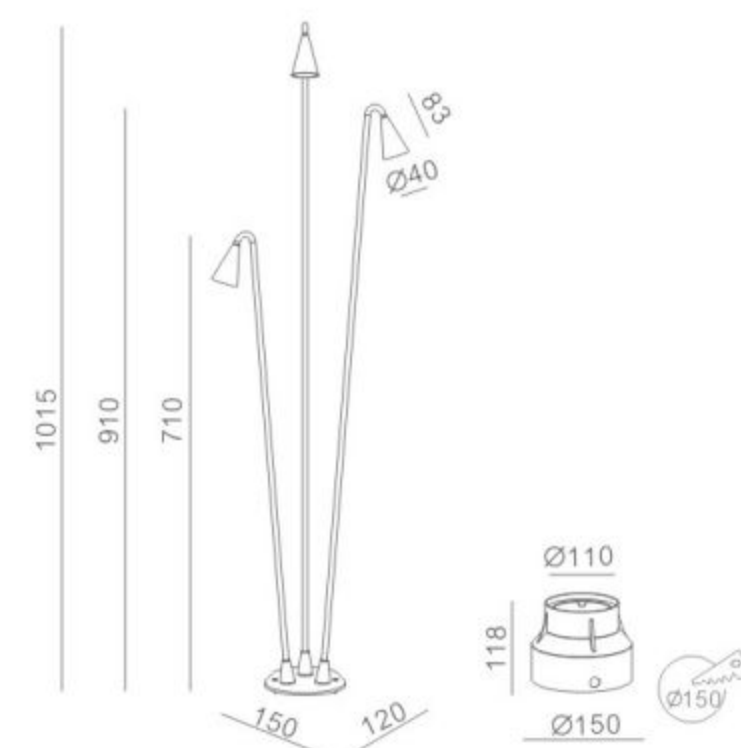
OPTIONS:

OPTICS:



COLOR FINISHINGS:

- PGY
- PCS

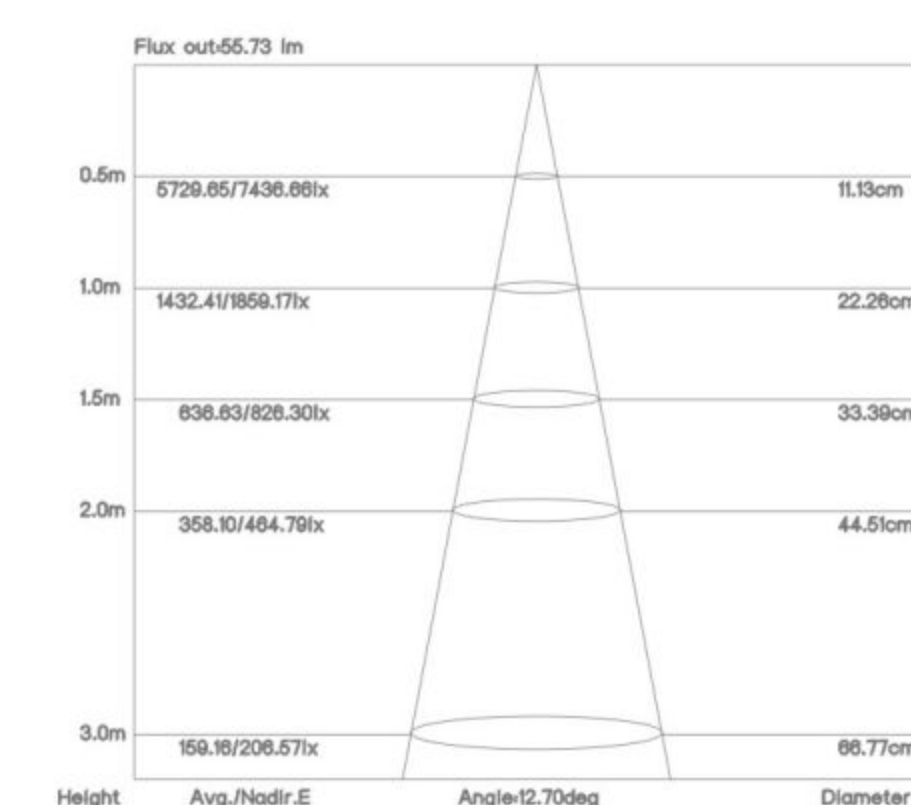


24VDC 724157A

LED: OSRAM 3000K CRI 80
 POWER: 5*2.4W
 OPTIC: 12°
 OUTPUT: 725Lm
 CABLE/CLASS: H05RN-F 2*0.75mm²
 DIMENSION: 300*260*1015mm
 HOLE SIZE: Ø190mm

100-240VAC 724257A

LED: OSRAM 3000K CRI 80
 POWER: 5*2.6W
 OPTIC: 12°
 OUTPUT: 725Lm
 CABLE/CLASS: H05RN-F 3*0.75mm²
 DIMENSION: 300*260*1015mm
 HOLE SIZE: Ø190mm



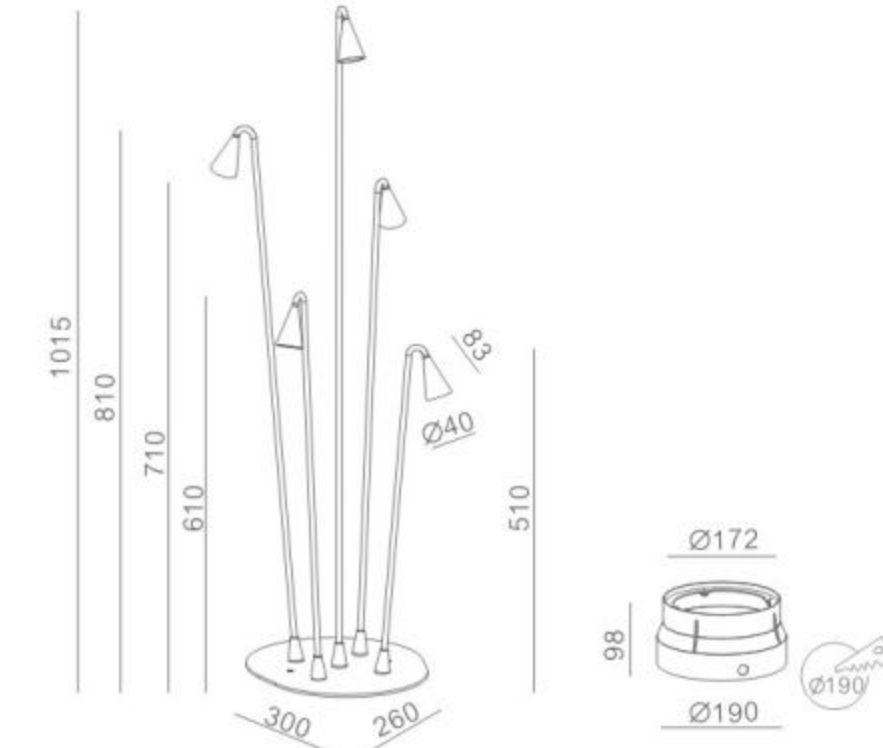
OPTIONS:

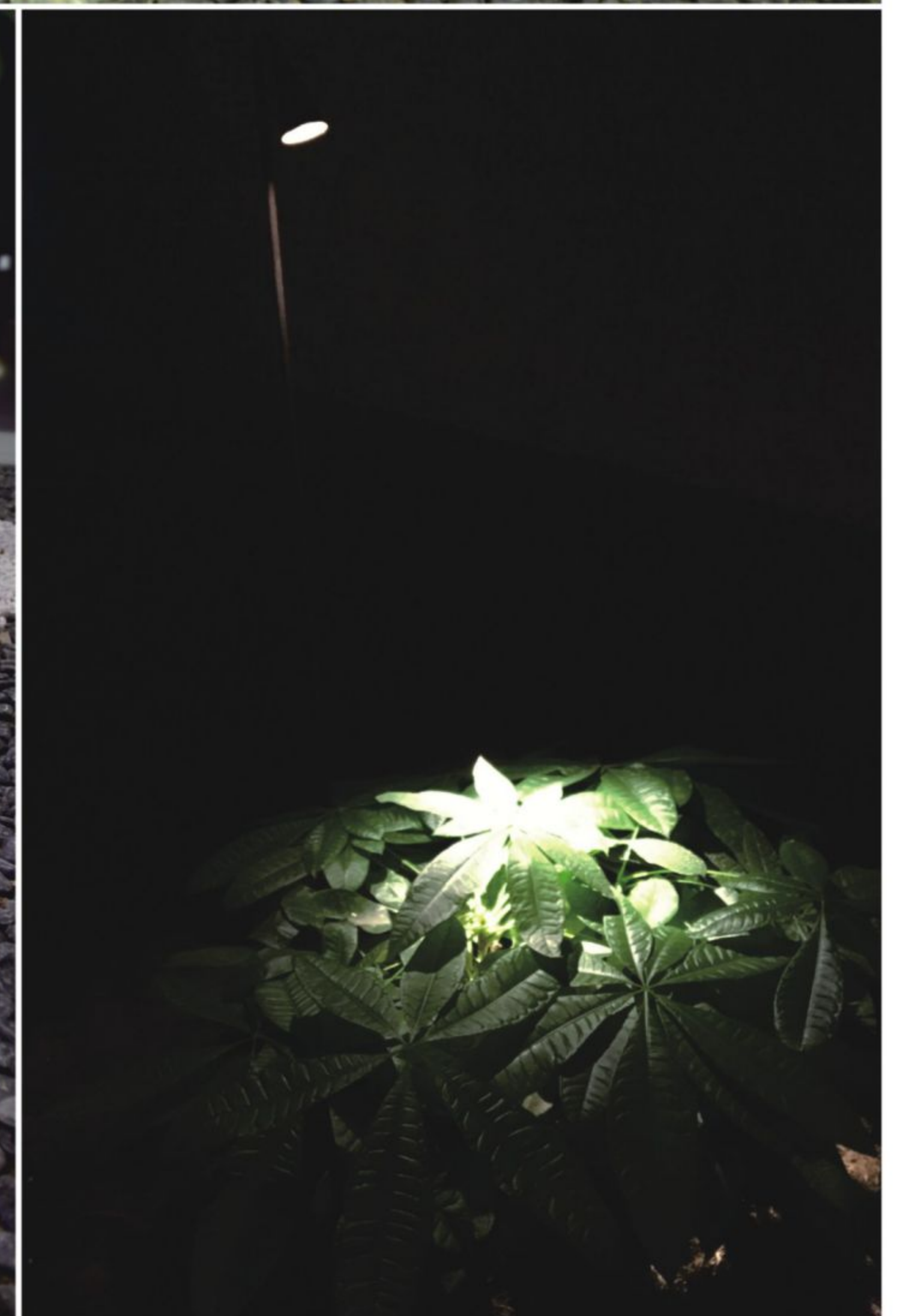
OPTICS:



COLOR FINISHINGS:

- PGY
- PCS





JOY

New splendid luminaire JOY is characterized by circular shaped pole and aluminum ultra-thin disk. Available in 3 sizes for choice: 300 mm, 600 mm and 900 mm. JOY with its soft indirect light can provide the best light effect for any outdoor environment.

© CE IP65 24VDC 220-240VAC



900 DC / 900



300 DC / 300



600 DC / 600



24VDC 725514 725114 725314

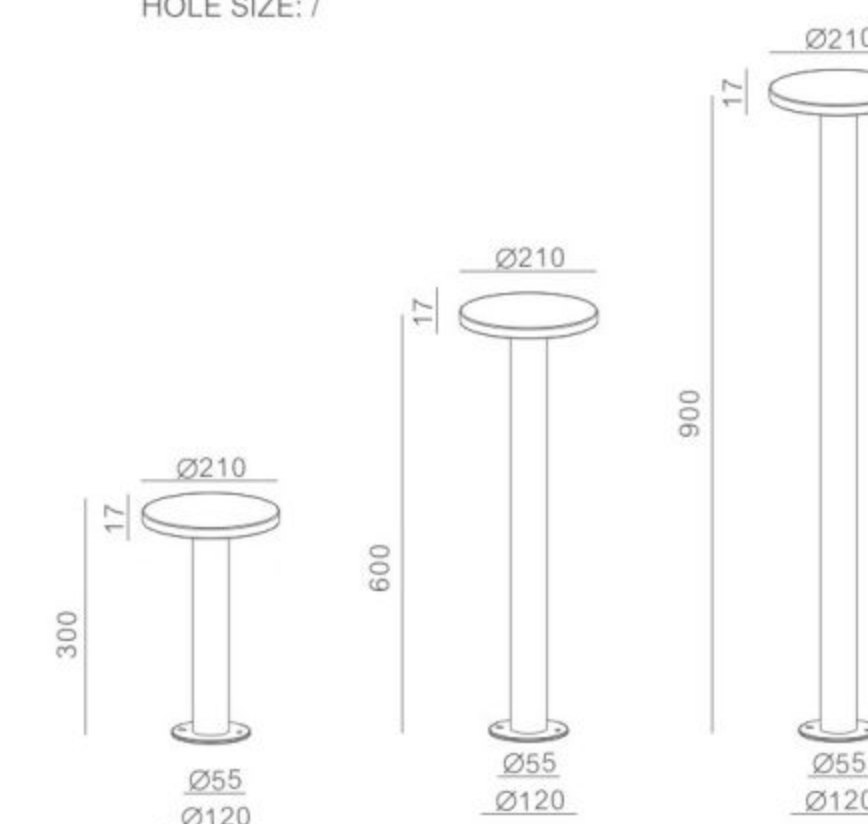
LED: EDISON 3000K CRI 80
 POWER: 16.3W
 OPTIC: F
 OUTPUT: 600Lm
 CABLE/CLASS: H05RN-F 2*0.75mm²
 DIMENSION: Ø210*300mm
 Ø210*600mm
 Ø210*900mm
 HOLE SIZE: /

220-240VAC 725614 725214 725414

LED: EDISON 3000K CRI 80
 POWER: 17W
 OPTIC: F
 OUTPUT: 600Lm
 CABLE/CLASS: H05RN-F 3*0.75mm²
 DIMENSION: Ø210*300mm
 Ø210*600mm
 Ø210*900mm
 HOLE SIZE: /

COLOR FINISHINGS:

PGY





225



300 DC/300

226

LANCER

Super slim shape of LANCER can be used perfectly for guidance light on the path.
Sandblast anodized reflector produces perfect soft indirect light.
Available in 2 versions: 300 mm and 600 mm.



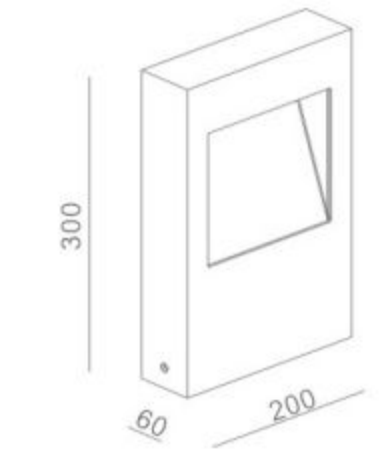




24VDC 725814 
 LED: EDISON 3000K CRI 80
 POWER: 8.4W
 OPTIC: F
 OUTPUT: 266Lm
 CABLE/CLASS: H05RN-F 2*0.75mm²
 DIMENSION: 200*60*300mm
 HOLE SIZE: /

100-240VAC 725914 
 LED: EDISON 3000K CRI 80
 POWER: 9W
 OPTIC: F
 OUTPUT: 266Lm
 CABLE/CLASS: H05RN-F 3*0.75mm²
 DIMENSION: 200*60*300mm
 HOLE SIZE: /

COLOR FINISHINGS:
 PGY





600 DC/600

24VDC 728314

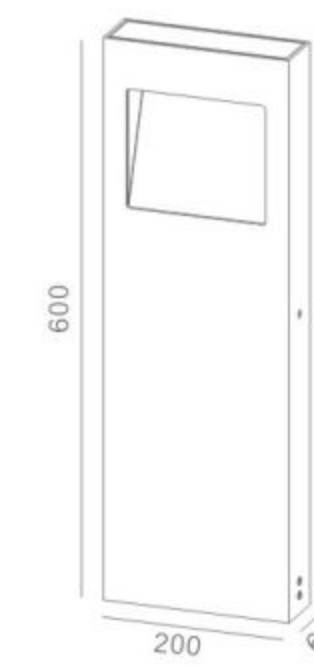
LED: EDISON 3000K CRI 80
 POWER: 8.4W
 OPTIC: F
 OUTPUT: 266Lm
 CABLE/CLASS: H05RN-F 2*0.75mm²
 DIMENSION: 200*60*600mm
 HOLE SIZE: /

100-240VAC 728414

LED: EDISON 3000K CRI 80
 POWER: 9W
 OPTIC: F
 OUTPUT: 266Lm
 CABLE/CLASS: H05RN-F 3*0.75mm²
 DIMENSION: 200*60*600mm
 HOLE SIZE: /

COLOR FINISHINGS:

PGY



LEEO

The LEEO was specially designed with the new enigmatic spirit .
 Recommended for bestlandscape illumination .
 This splendid collection with single and double-sided lighting can
 be installed on the wall .Bollard version with 600mm length is the best solution for
 pathway illumination .
 Thanks to its Ip65 rate LEEO can be used for outdoor applications

CCC CE IP65 100/220-240VAC



SINGLE

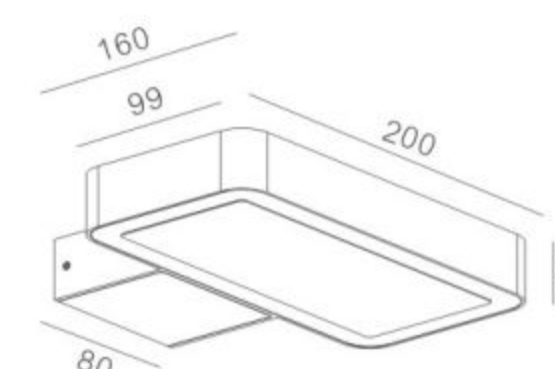


DOUBLE

100-240VAC

434414A

LED: EDISON 3000K CRI 80
 POWER: 11.3W
 OPTIC: L
 OUTPUT: 442Lm
 CABLE/CLASS: H05RN-F 3*0.75mm²
 DIMENSION: 200*160*28mm
 HOLE SIZE: /



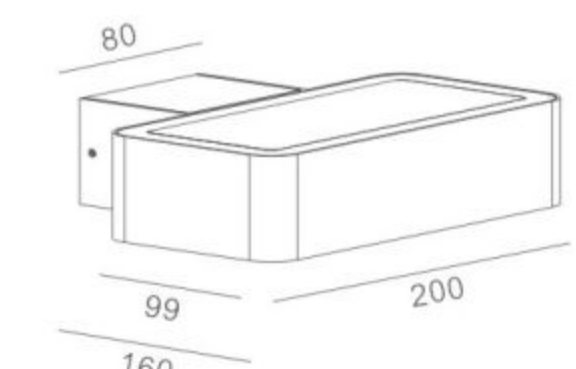
COLOR FINISHINGS:

PGY

220-240VAC

434514A

LED: EDISON 3000K CRI 80
 POWER: 22.2W
 OPTIC: L
 OUTPUT: 1016Lm
 CABLE/CLASS: H05RN-F 3*0.75mm²
 DIMENSION: 200*160*46mm
 HOLE SIZE: /



COLOR FINISHINGS:

PGY

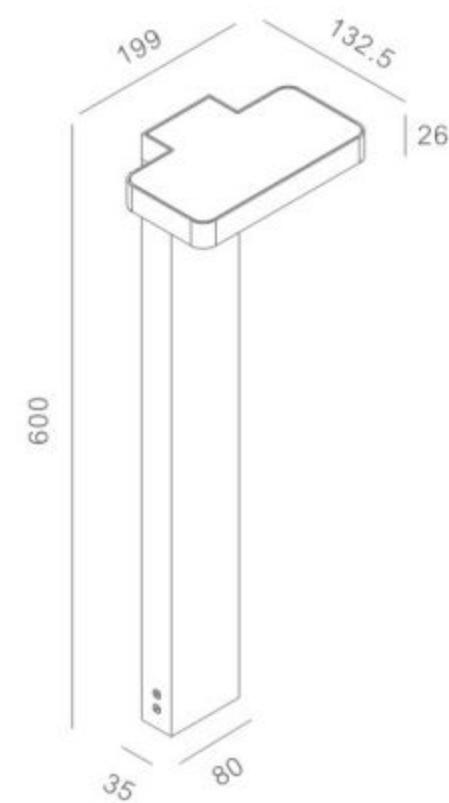


H

231

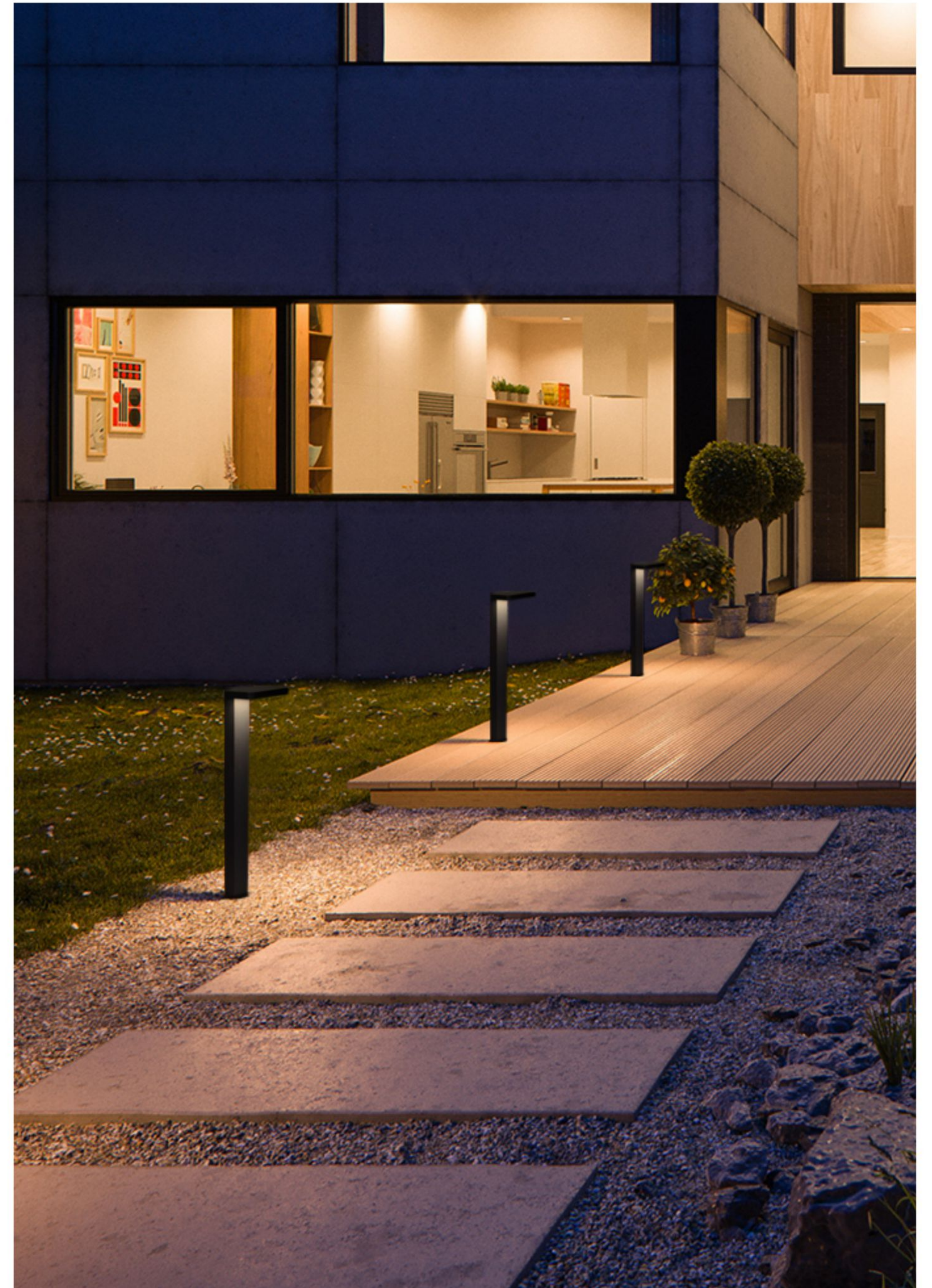
100-240VAC 731514A

LED: EDISON 3000K CRI 80
 POWER: 11.3W
 OPTIC: L
 OUTPUT: 442Lm
 CABLE/CLASS: H05RN-F 3*0.75mm²
 DIMENSION: 200*133*600mm
 HOLE SIZE: /



COLOR FINISHINGS:

PGY



EXTERIOR GARDEN SPOT

232

LIBRA

New concept design of bollard from FLUA

LIBRA is a new range of bollard series. The best choice for path illumination. Thanks to its semicircle shape, LIBRA gives perfect light effect in the garden. Available in 3 lengths: 300 mm, 600 mm, 900 mm.

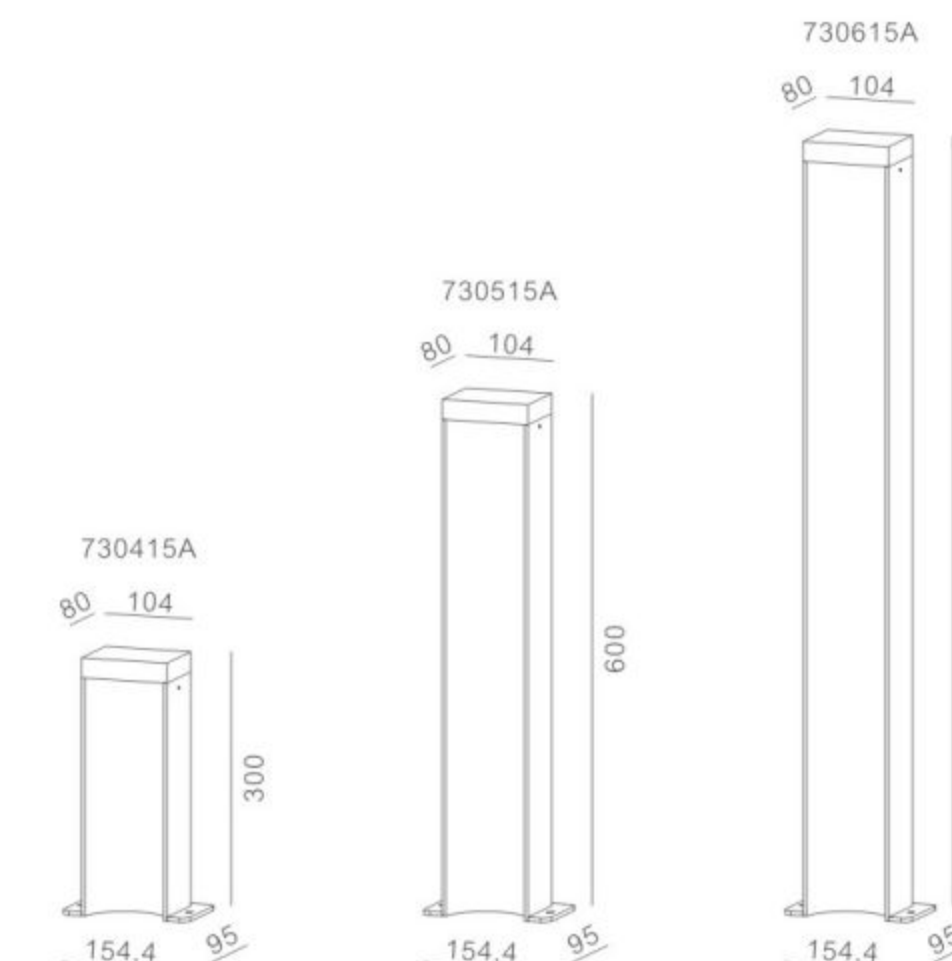
CCC CE IP65 100-240VAC



300 / 600 / 900

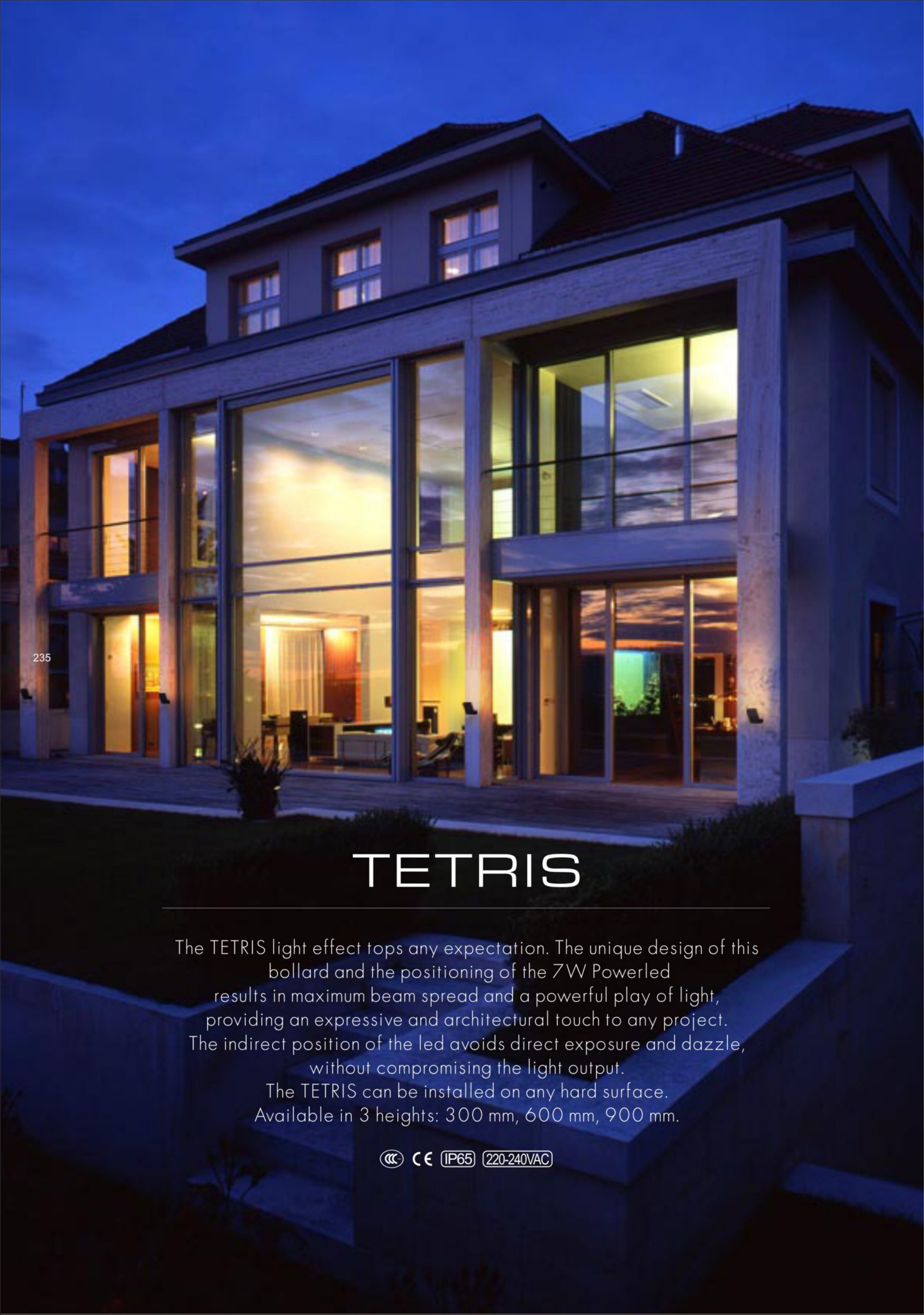
100-240VAC 730415A 730515A 730615A

LED: LUMINUS 3000K CRI 80
 POWER: 7.7W
 OPTIC: F
 OUTPUT: 310Lm
 CABLE/CLASS: H05RN-F 3*0.75mm²
 DIMENSION: 154.5*95*300mm
 154.5*95*600mm
 154.5*95*900mm
 HOLE SIZE: /



COLOR FINISHINGS:





TETRIS

The TETRIS light effect tops any expectation. The unique design of this bollard and the positioning of the 7W Powered led results in maximum beam spread and a powerful play of light, providing an expressive and architectural touch to any project. The indirect position of the led avoids direct exposure and dazzle, without compromising the light output.

The TETRIS can be installed on any hard surface.
Available in 3 heights: 300 mm, 600 mm, 900 mm.

CCC CE IP65 220-240VAC

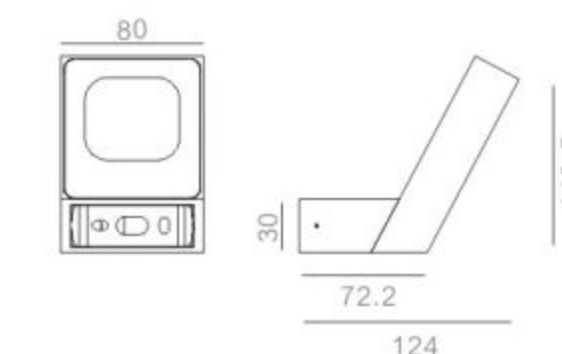


W

220-240VAC

430311

LED: CREE 3000K CRI 90
POWER: 7.4W
OPTIC: P
OUTPUT: 324Lm
CABLE/CLASS: H05RN-F 3*0.75mm²
DIMENSION: 80*110.5*124mm
HOLE SIZE: /



COLOR FINISHINGS:

PGY



237



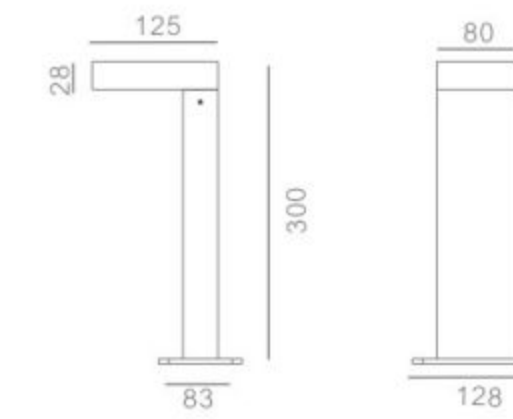
300/600/900

EXTERIOR GARDEN SPOT

220-240VAC

728511

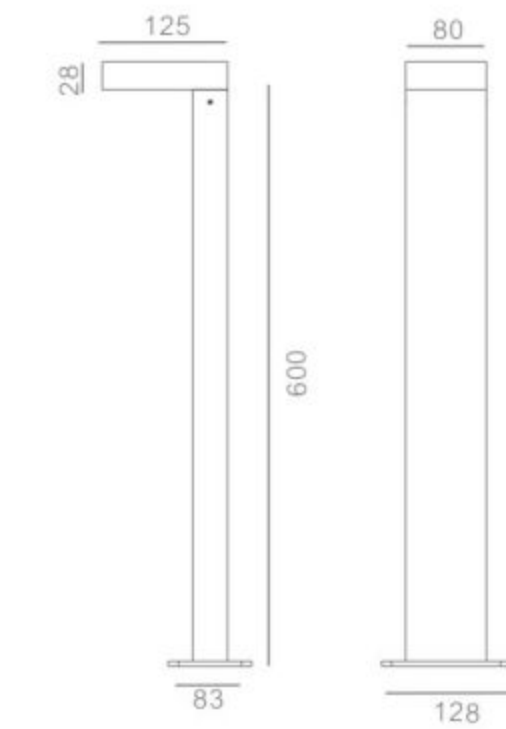
LED: EDISON 3000K CRI 90
 POWER: 7.4W
 OPTIC: P
 OUTPUT: 324Lm
 CABLE/CLASS: H05RN-F 3*0.75mm²
 DIMENSION: 125*128*300mm
 HOLE SIZE: /



220-240VAC

728611

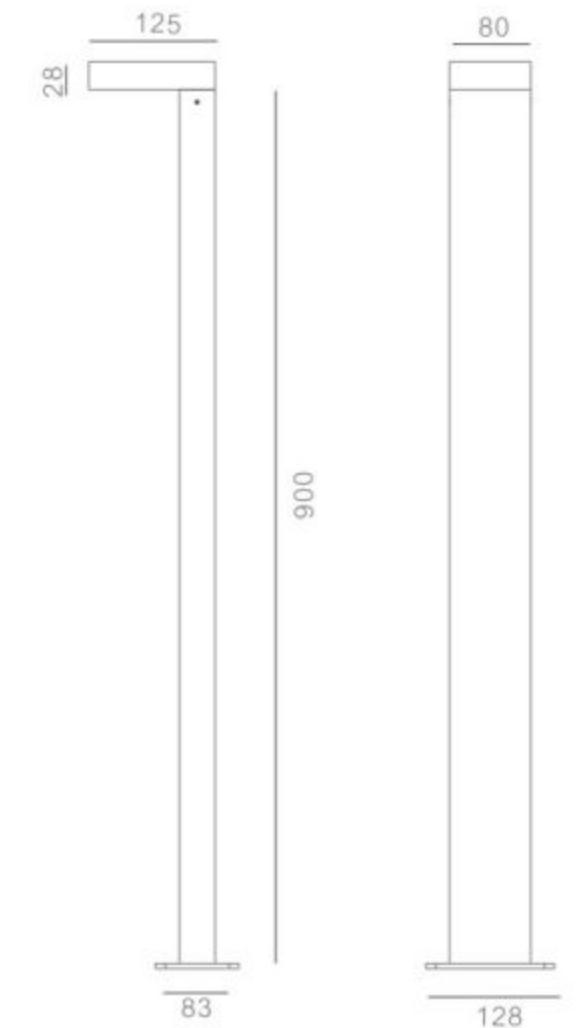
LED: EDISON 3000K CRI 90
 POWER: 7.4W
 OPTIC: P
 OUTPUT: 324Lm
 CABLE/CLASS: H05RN-F 3*0.75mm²
 DIMENSION: 125*128*600mm
 HOLE SIZE: /



220-240VAC

728711

LED: EDISON 3000K CRI 90
 POWER: 7.4W
 OPTIC: P
 OUTPUT: 324Lm
 CABLE/CLASS: H05RN-F 3*0.75mm²
 DIMENSION: 125*128*900mm
 HOLE SIZE: /



238



COLOR FINISHINGS:

PGY



239



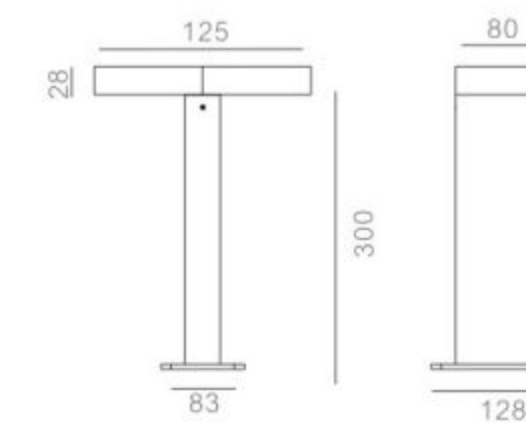
D 300 / D 600 / D 900

EXTERIOR GARDEN SPOT

220-240VAC

729421

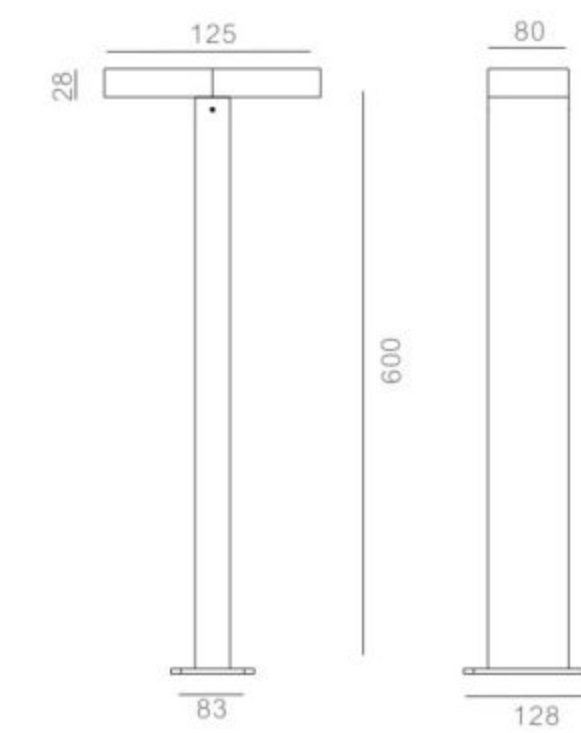
LED: EDISON 3000K CRI 90
 POWER: 2*7.4W
 OPTIC: P
 OUTPUT: 648Lm
 CABLE/CLASS: H05RN-F 3*0.75mm²
 DIMENSION: 215*128*300mm
 HOLE SIZE: /



220-240VAC

729521

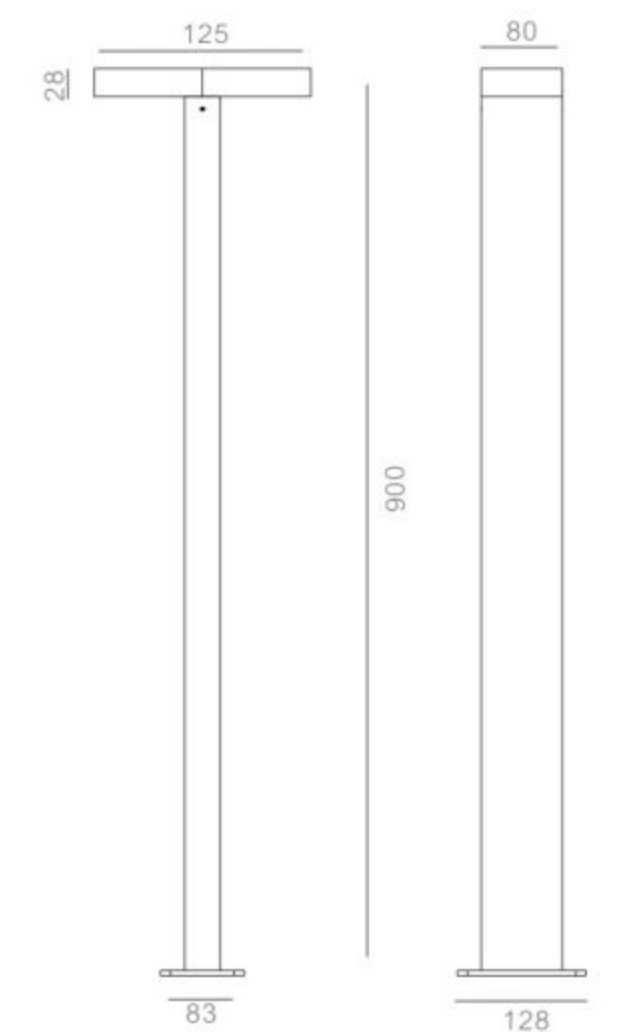
LED: EDISON 3000K CRI 90
 POWER: 2*7.4W
 OPTIC: P
 OUTPUT: 648Lm
 CABLE/CLASS: H05RN-F 3*0.75mm²
 DIMENSION: 215*128*600mm
 HOLE SIZE: /



220-240VAC

729621

LED: EDISON 3000K CRI 90
 POWER: 2*7.4W
 OPTIC: P
 OUTPUT: 648Lm
 CABLE/CLASS: H05RN-F 3*0.75mm²
 DIMENSION: 215*128*900mm
 HOLE SIZE: /



240



COLOR FINISHINGS:

PGY



WAY

WAY is a simple, and at the same time, elegant concept of bollard lamp. Its conical reflector provides perfect diffused light effect 360 degrees around. Available in 3 heights: 300 mm, 600 mm, 900 mm. Could be used in many different applications.

© CE IP65 24VDC 220-240VAC



24VDC 724314 722714 724514

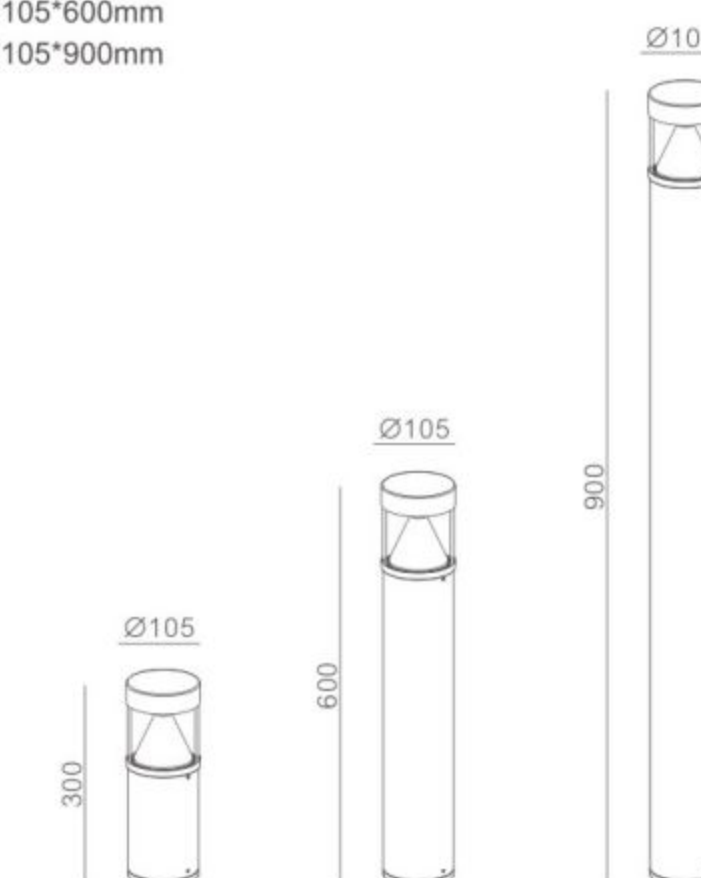
LED: EDISON 3000K CRI 80
 POWER: 7.3W
 OPTIC: F
 OUTPUT: 291Lm
 CABLE/CLASS: H05RN-F 2*0.75mm²
 DIMENSION: Ø105*300mm
 Ø105*600mm
 Ø105*900mm
 HOLE SIZE: /

220-240VAC 724414 722814 724614

LED: EDISON 3000K CRI 80
 POWER: 7.7W
 OPTIC: F
 OUTPUT: 291Lm
 CABLE/CLASS: H05RN-F 3*0.75mm²
 DIMENSION: Ø105*300mm
 Ø105*600mm
 Ø105*900mm
 HOLE SIZE: /








COLOR FINISHINGS:

PGY PAB

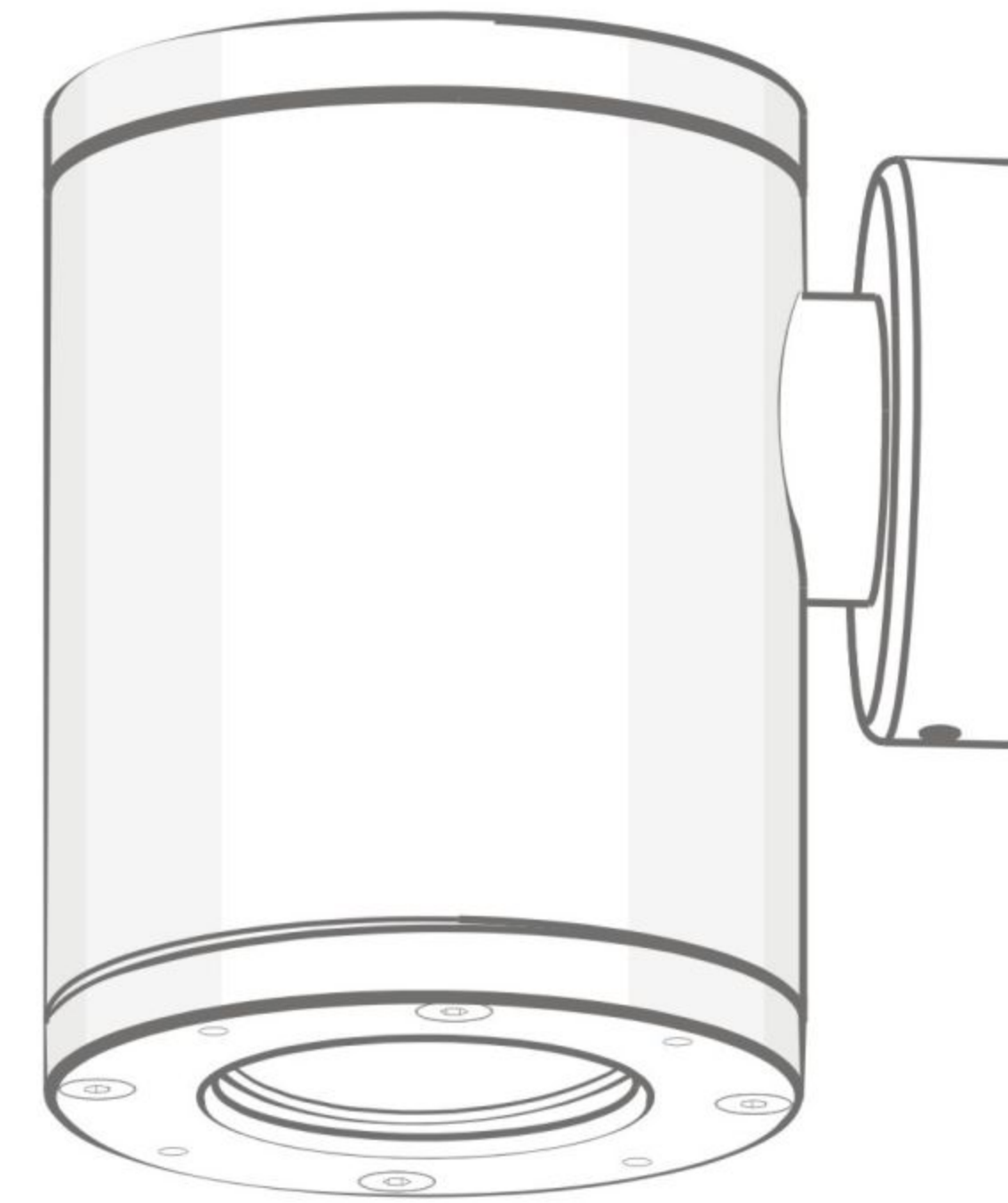
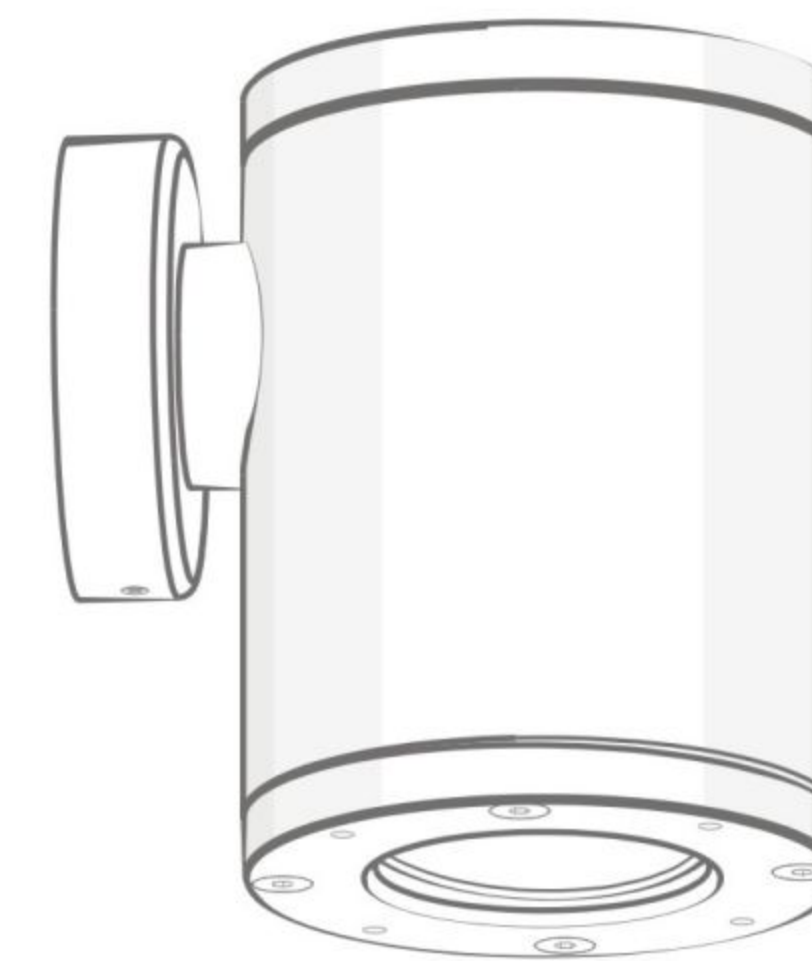




WALL

					
APUS 2.0 WR1 249	APUS 2.0 WR2 250	APUS 2.0 WS1 251	APUS 2.0 WS2 252	CORENA SINGLE 259	CORENA DOUBLE 261
					
CUBE SINGLE 264	CUBE DOUBLE 265	DISCUS W 210	ELF 268	GRAY 270	LEEO SINGLE 230
					
LEEO DOUBLE 230	PACE ROUND 1 273	PACE ROUND 2 274	PACE SQUARED 275	PACE LONG 1 276	PACE LONG 2 277
					
PACE LONG 3 278	PACE LONG 4 279	QUIVER 285	SIMPHONIA I 288	SIMPHONIA O 288	SIMPHONIA DI 288
					
SIMPHONIA DO 288	SIMPHONIA FI 288	SIMPHONIA FO 288	SIMPHONIA IO 288	SIMPHONIA DIO 288	TEAR 292
					
TETRIS W 236	TUBUS SINGLE 295	TUBUS DOUBLE 296			

245



246

APUS 2.0

APUS 2.0 is a well-known member of FLUA outdoor range.
Be it elegant tube version or square shaped series,
both could provide perfect esthetic effect.
APUS is available with up or up/down versions.

© CE IP65 24VDC 100-240VAC

APUS 2.0
WR1 DC / WR1



PAGE 249

APUS 2.0
WR2 DC / WR2



PAGE 250

APUS 2.0
WS1 DC / WS1



PAGE 251

APUS 2.0
WS2 DC / WS2



PAGE 252



WR1 DC / WR1



WR2 DC / WR2

24VDC 435415  

LED: LUMINUS 3000K CRI 80
 POWER: 7.8W
 OPTIC: 55°
 OUTPUT: 865Lm
 CABLE/CLASS: H05RN-F 2*0.75mm²
 DIMENSION: Ø78*105mm
 HOLE SIZE: Ø75mm

100-240VAC 435315A  

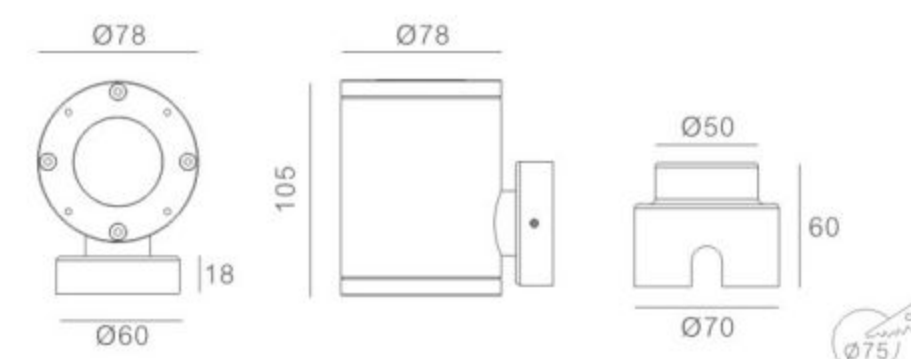
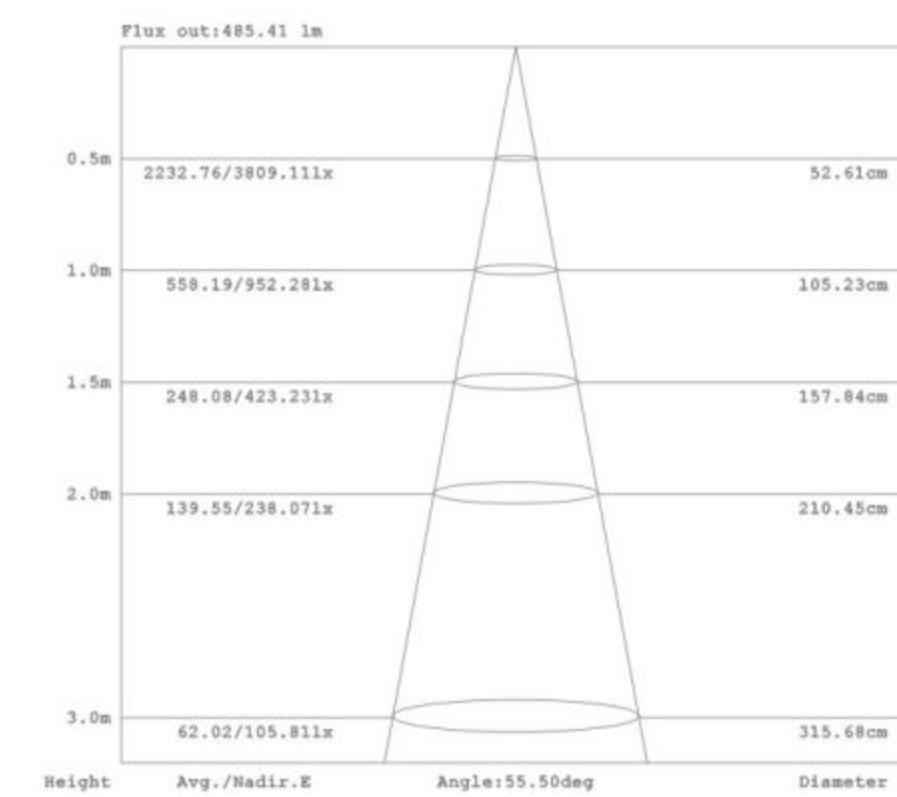
LED: LUMINUS 3000K CRI 80
 POWER: 8.4W
 OPTIC: 55°
 OUTPUT: 819Lm
 CABLE/CLASS: H05RN-F 3*0.75mm²
 DIMENSION: Ø78*105mm
 HOLE SIZE: Ø75mm

24VDC 435615  

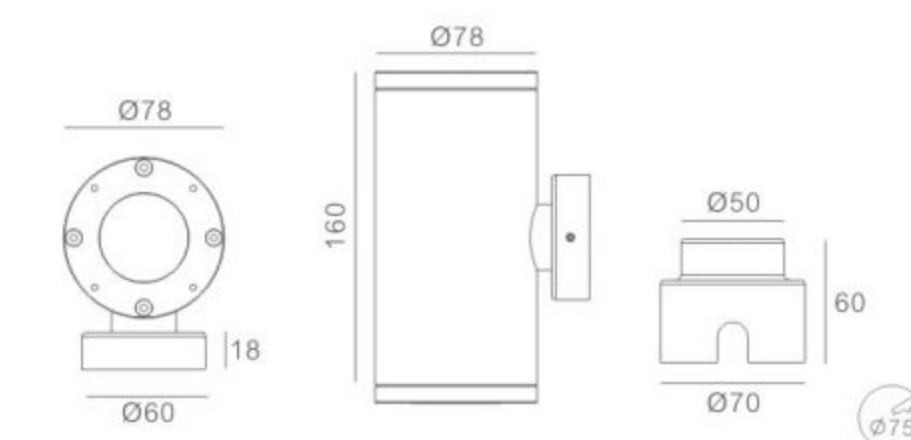
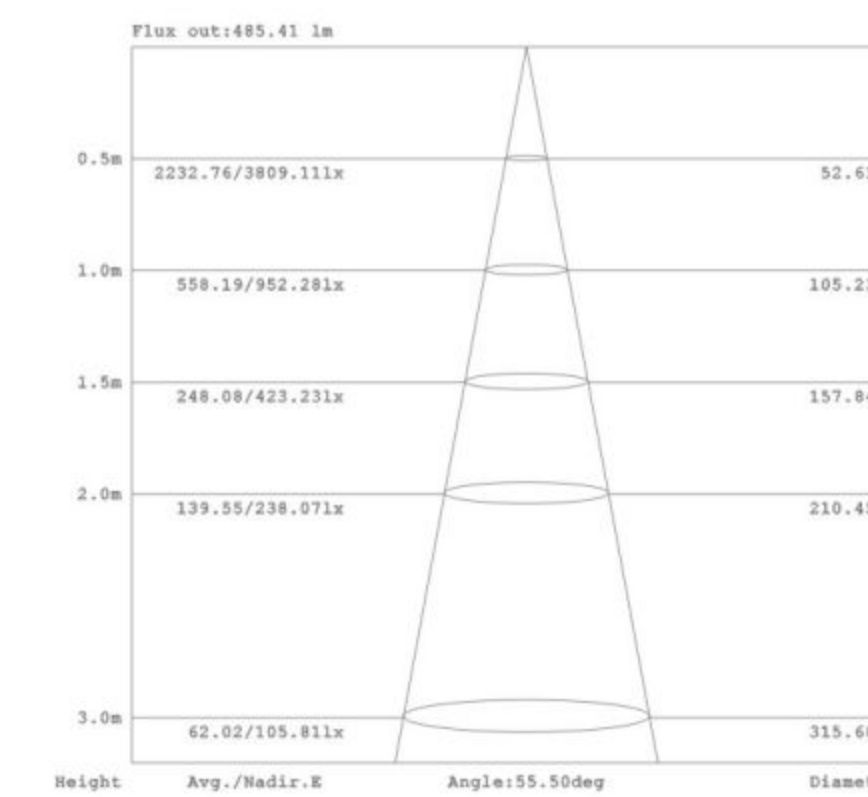
LED: LUMINUS 3000K CRI 80
 POWER: 15.8W
 OPTIC: 55°
 OUTPUT: 1690Lm
 CABLE/CLASS: H05RN-F 2*0.75mm²
 DIMENSION: Ø78*160mm
 HOLE SIZE: Ø75mm

100-240VAC 435515A  

LED: LUMINUS 3000K CRI 80
 POWER: 14.2W
 OPTIC: 55°
 OUTPUT: 1448Lm
 CABLE/CLASS: H05RN-F 3*0.75mm²
 DIMENSION: Ø78*160mm
 HOLE SIZE: Ø75mm



COLOR FINISHINGS:



COLOR FINISHINGS:





WS1 DC / WS1



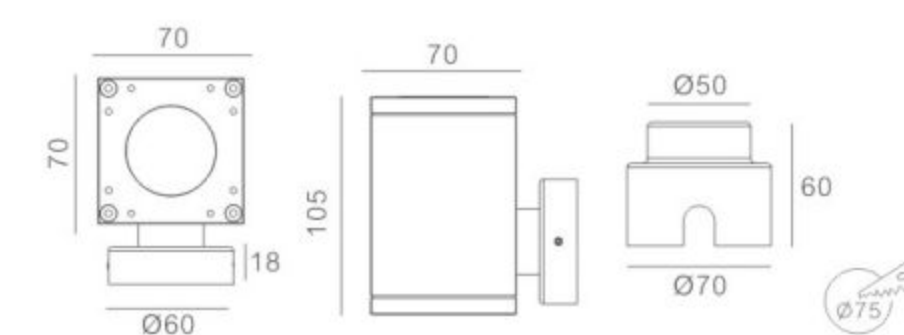
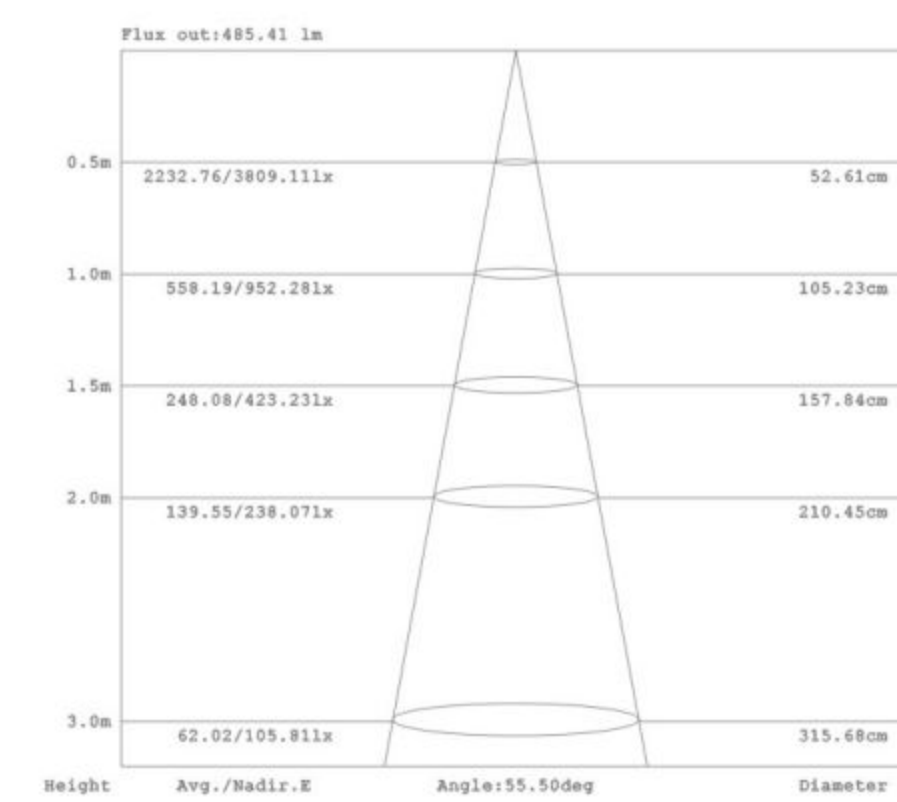
WS2 DC / WS2

24VDC 435815  

LED: LUMINUS 3000K CRI 80
 POWER: 7.8W
 OPTIC: 55°
 OUTPUT: 865Lm
 CABLE/CLASS: H05RN-F 2*0.75mm²
 DIMENSION: 70*70*105mm
 HOLE SIZE: Ø75mm

100-240VAC 435715A  

LED: LUMINUS 3000K CRI 80
 POWER: 8.4W
 OPTIC: 55°
 OUTPUT: 819Lm
 CABLE/CLASS: H05RN-F 3*0.75mm²
 DIMENSION: 70*70*105mm
 HOLE SIZE: Ø75mm



COLOR FINISHINGS:

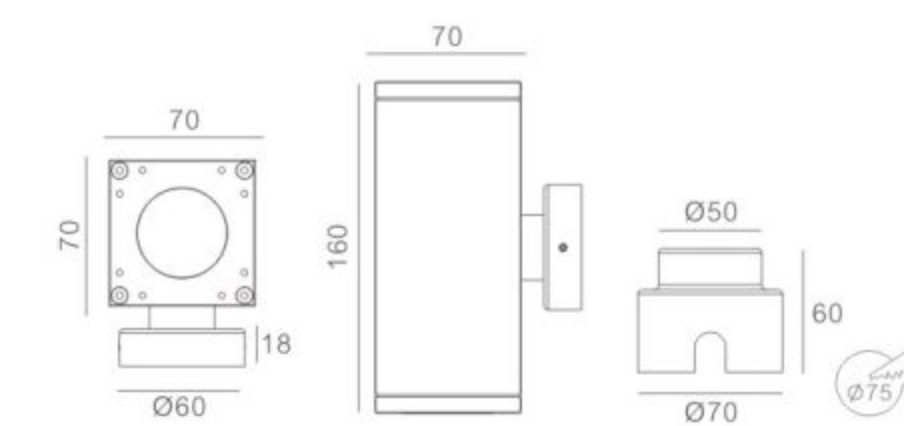
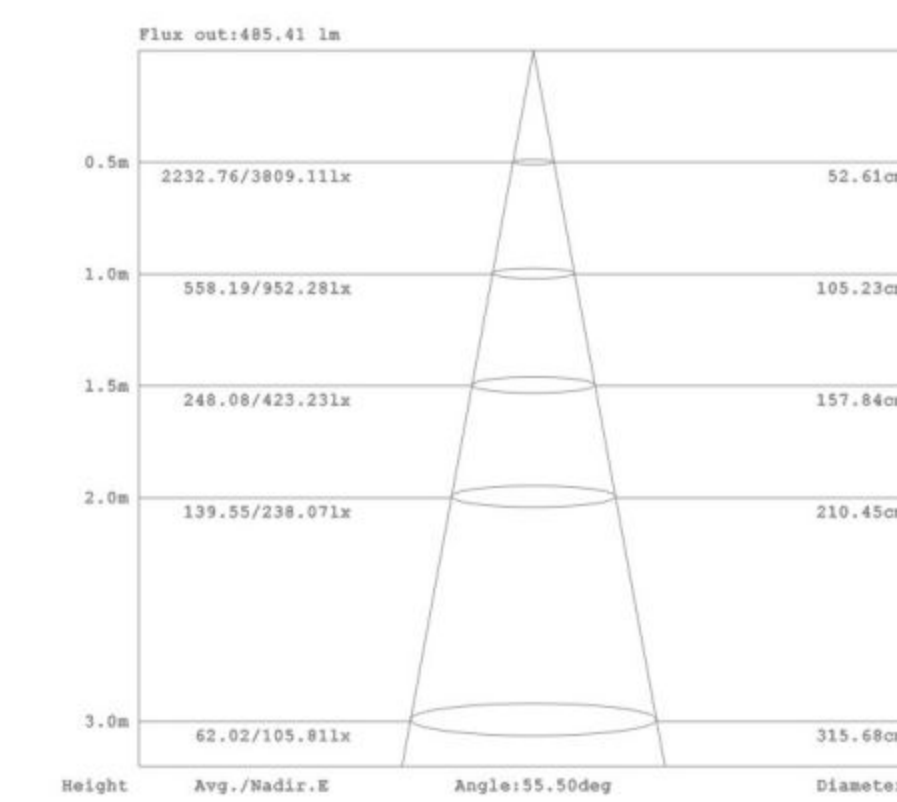


24VDC 436015  

LED: LUMINUS 3000K CRI 80
 POWER: 15.8W
 OPTIC: 55°
 OUTPUT: 1690Lm
 CABLE/CLASS: H05RN-F 2*0.75mm²
 DIMENSION: 70*70*160mm
 HOLE SIZE: Ø75mm

100-240VAC 435915A  

LED: LUMINUS 3000K CRI 80
 POWER: 14.2W
 OPTIC: 55°
 OUTPUT: 1448Lm
 CABLE/CLASS: H05RN-F 3*0.75mm²
 DIMENSION: 70*70*160mm
 HOLE SIZE: Ø75mm

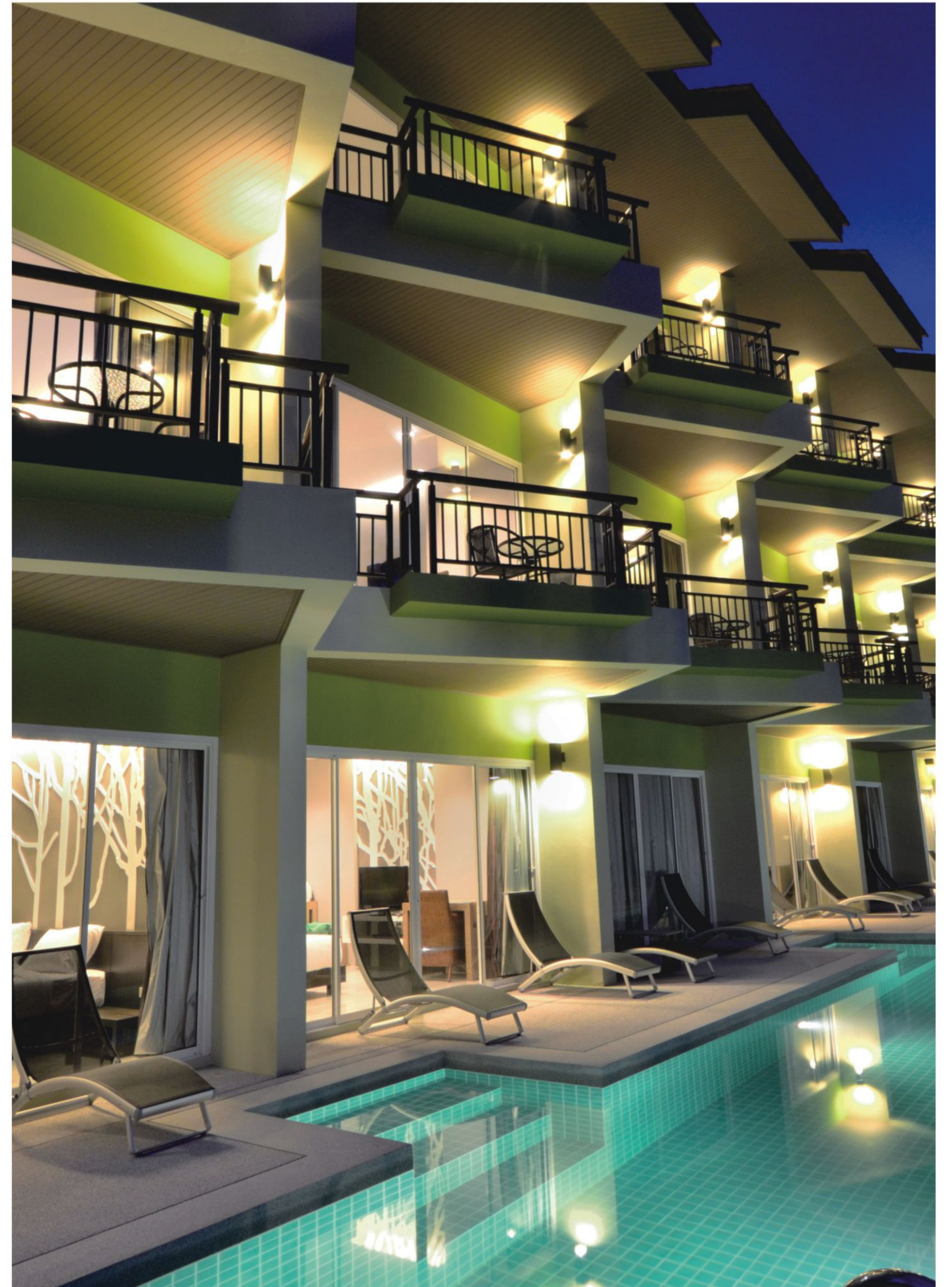


COLOR FINISHINGS:





253



254

EXTERIOR WALL





CORENA

New philosophy of outdoor wall lamp CORENA has already become very popular lamp thanks to its special design.

Smooth lines of the form creates great aesthetic effect.

2 options are available for choice: one-sided lamp and double sided lamp.

© CE IP65 24VDC 100-240VAC



SINGLE DC / SINGLE

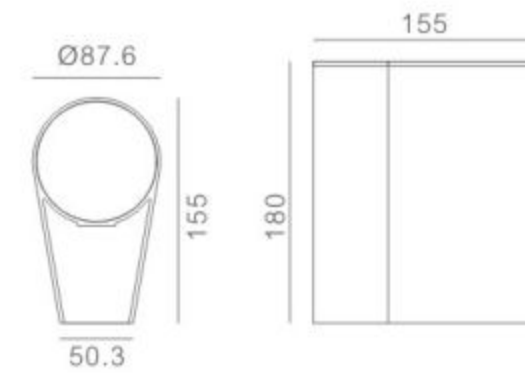
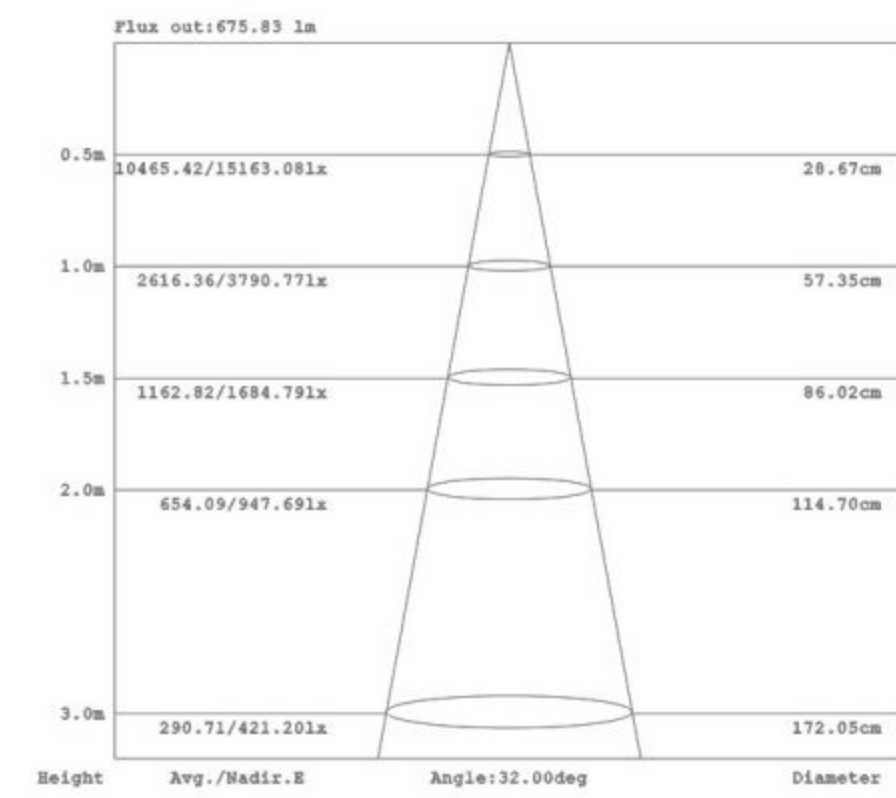
259

24VDC 436215

LED: LUMINUS 3000K CRI 80
 POWER: 18.3W
 OPTIC: 33°
 OUTPUT: 1451Lm
 CABLE/CLASS: H05RN-F 2*0.75mm²
 DIMENSION: 155*87.6*180mm
 HOLE SIZE: /

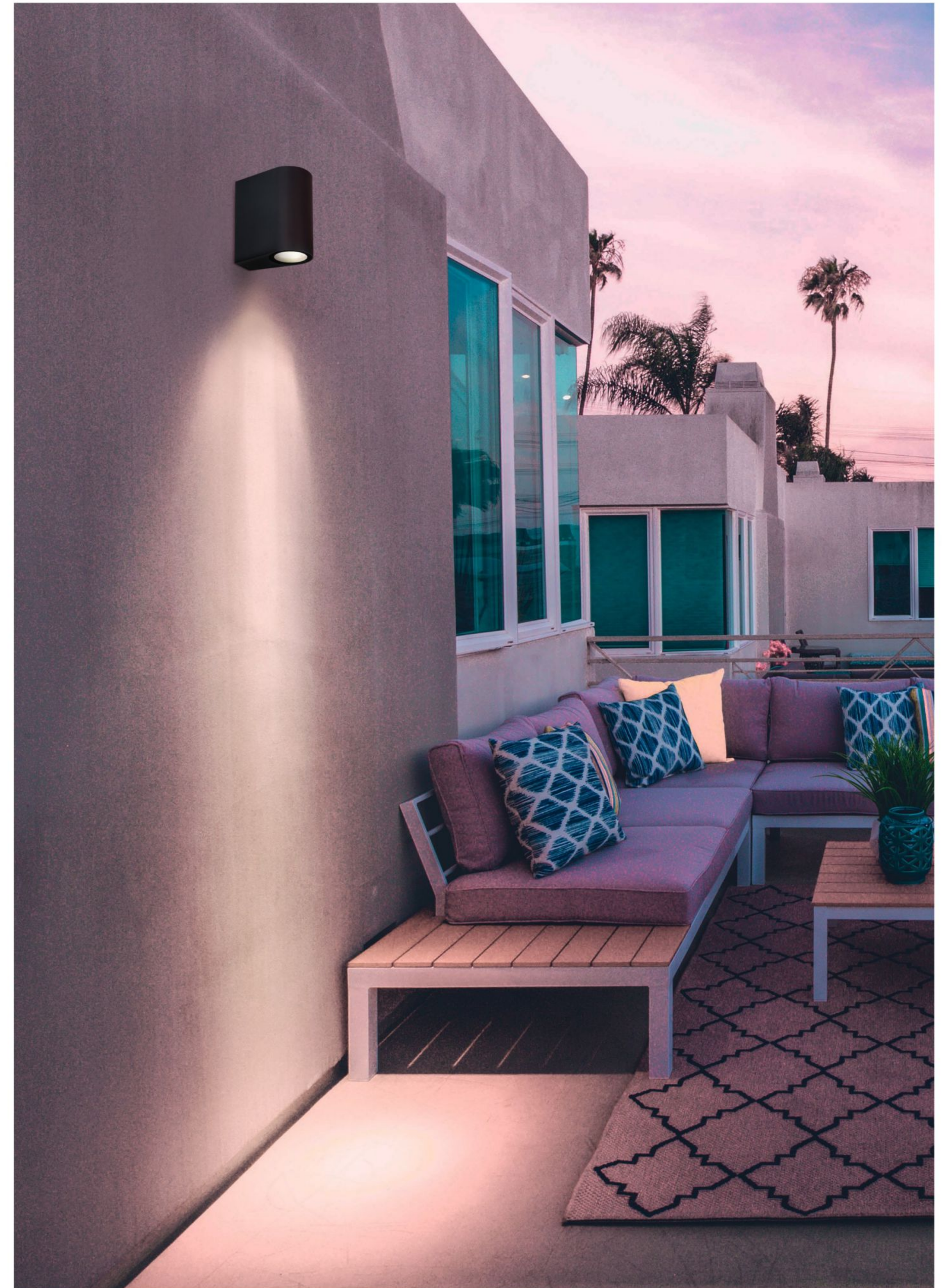
100-240VAC 436115A

LED: LUMINUS 3000K CRI 80
 POWER: 20.9W
 OPTIC: 33°
 OUTPUT: 1531Lm
 CABLE/CLASS: H05RN-F 3*0.75mm²
 DIMENSION: 155*87.6*180mm
 HOLE SIZE: /



COLOR FINISHINGS:

PGY



EXTERIOR WALL

260



DOUBLE DC / DOUBLE

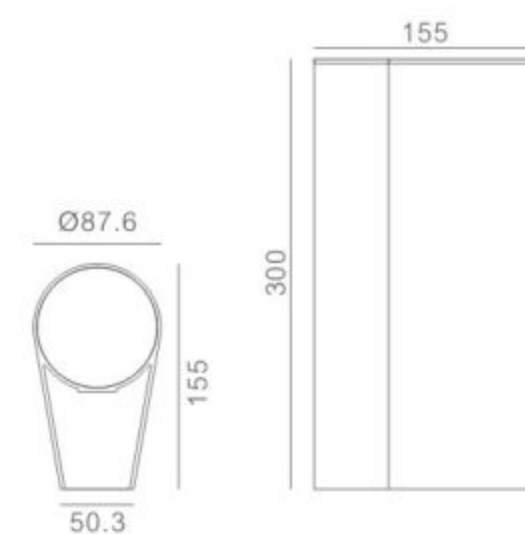
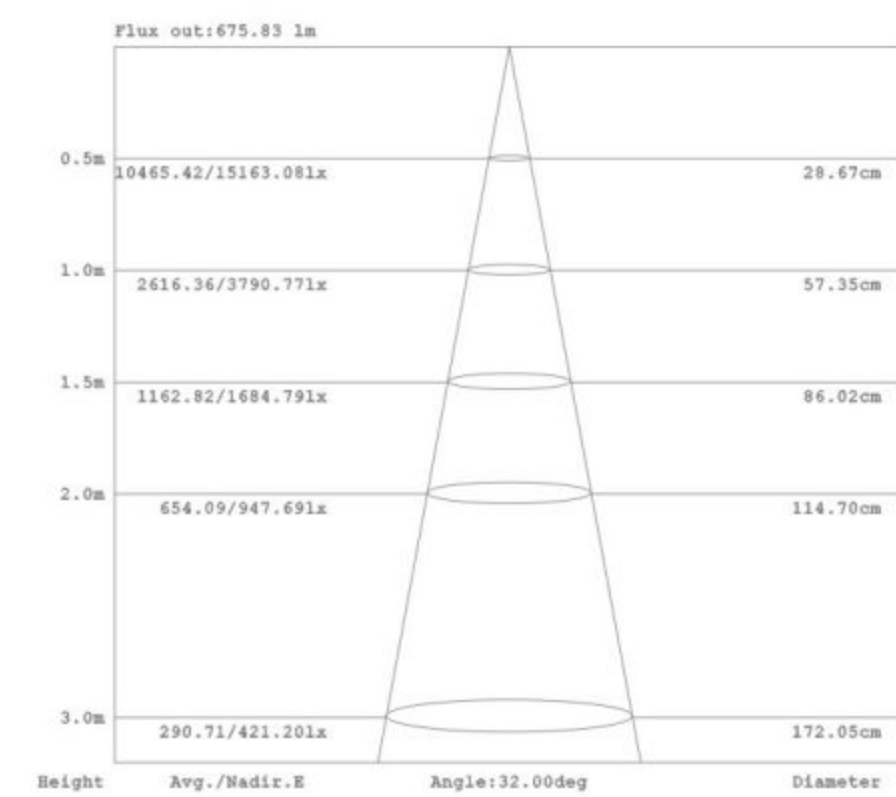
261

24VDC 436415

LED: LUMINUS 3000K CRI 80
 POWER: 35.4W
 OPTIC: 33°
 OUTPUT: 2834Lm
 CABLE/CLASS: H05RN-F 2*0.75mm²
 DIMENSION: 155*87.6*300mm
 HOLE SIZE: /

100-240VAC 436315A

LED: LUMINUS 3000K CRI 80
 POWER: 34.3W
 OPTIC: 33°
 OUTPUT: 2669Lm
 CABLE/CLASS: H05RN-F 3*0.75mm²
 DIMENSION: 155*87.6*300mm
 HOLE SIZE: /

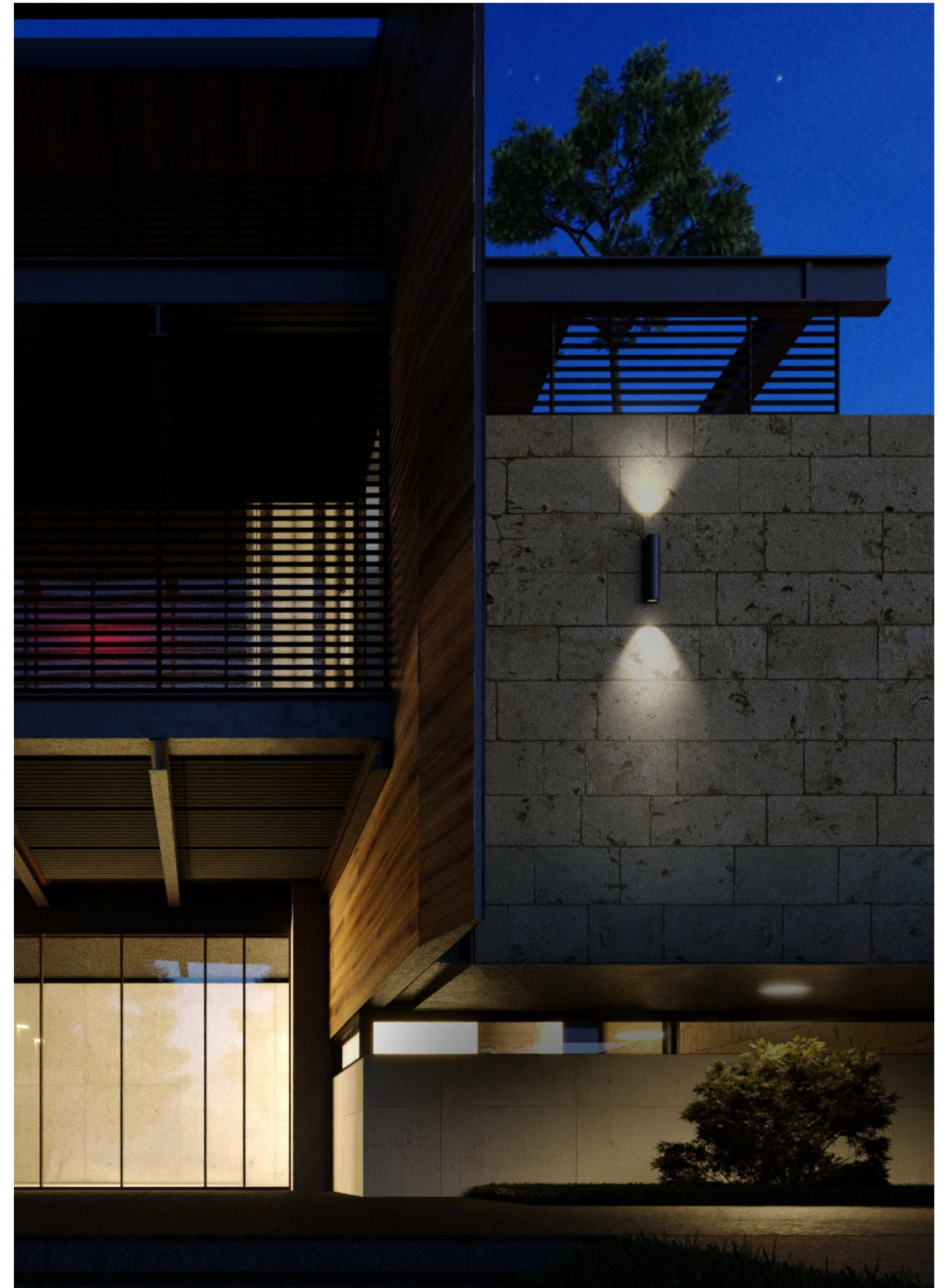


COLOR FINISHINGS:

PGY

EXTERIOR WALL

262





CUBE

CUBE, since its launch, has become very popular collection thanks to its classic design with nicely delineated shape. This splendid wall mounted fixture can be used for outdoor application due to its IP65 rate. Available in 2 versions: single (light beam comes from one side) or up and down.

© CE IP65 24VDC 220-240VAC



SINGLE DC / SINGLE

24VDC

422114

LED: EDISON 3000K CRI 80
POWER: 8W
OPTIC: F
OUTPUT: 517Lm
CABLE/CLASS: H05RN-F 2*0.75mm²
DIMENSION: 220*115*100mm
HOLE SIZE: /

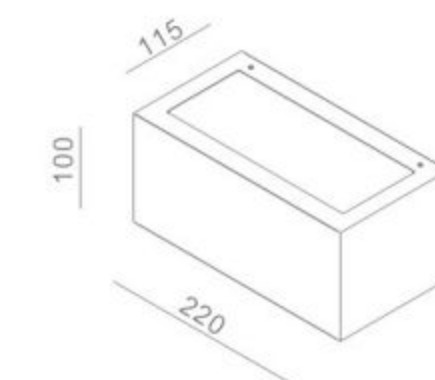
220-240VAC

422214

LED: EDISON 3000K CRI 80
POWER: 9W
OPTIC: F
OUTPUT: 517Lm
CABLE/CLASS: H05RN-F 3*0.75mm²
DIMENSION: 220*115*100mm
HOLE SIZE: /

COLOR FINISHINGS:

PGY PAB





DOUBLE DC / DOUBLE

265

24VDC 422324

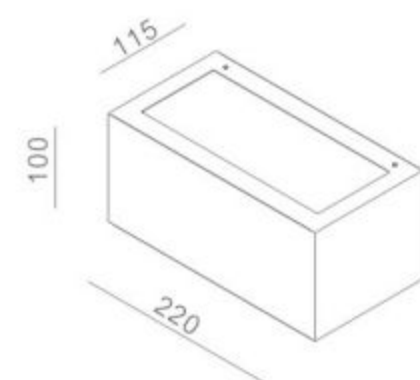
LED: EDISON 3000K CRI 80
POWER: 2*8W
OPTIC: F
OUTPUT: 1034Lm
CABLE/CLASS: H05RN-F 2*0.75mm²
DIMENSION: 220*115*100mm
HOLE SIZE: /

220-240VAC 422424

LED: EDISON 3000K CRI 80
POWER: 2* 9W
OPTIC: F
OUTPUT: 1034Lm
CABLE/CLASS: H05RN-F 3*0.75mm²
DIMENSION: 220*115*100mm
HOLE SIZE: /

COLOR FINISHINGS:

- PGY
- PAB



EXTERIOR WALL

266



267

ELF

Best decorative effect is coming from pure simple forms and materials.
Pure transparent glass globe fixed on elegantly bended aluminum arm.
The light inside the glass creates unique lighting patterns in the room.

Be it residential or public spaces,
ELF is a great choice for wall lighting solution.

Thanks to IP65 rate, ELF can be used for both indoor and outdoor application.

CCC CE IP65 220-240VAC

ELF

EXTERIOR WALL

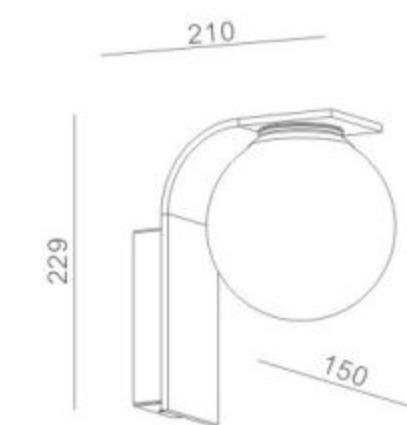


W IP

268

220-240VAC 422214 

LED: LUMNLEDS 3000K CRI 90
POWER: 5.3W
OPTIC: F
OUTPUT: 240Lm
CABLE/CLASS: H05RN-F 3*0.75mm²
DIMENSION: Ø150*210*229mm
HOLE SIZE: /



COLOR FINISHINGS:

 PGY



GRAY

Ultra thin body provides perfect decorative effect for the wall.
Thanks to IP65 rate, GRAY is possible to be used both indoor and outdoor.
GRAY is the best solution for auxiliary outdoor lighting.

CCC CE IP65 220-240VAC



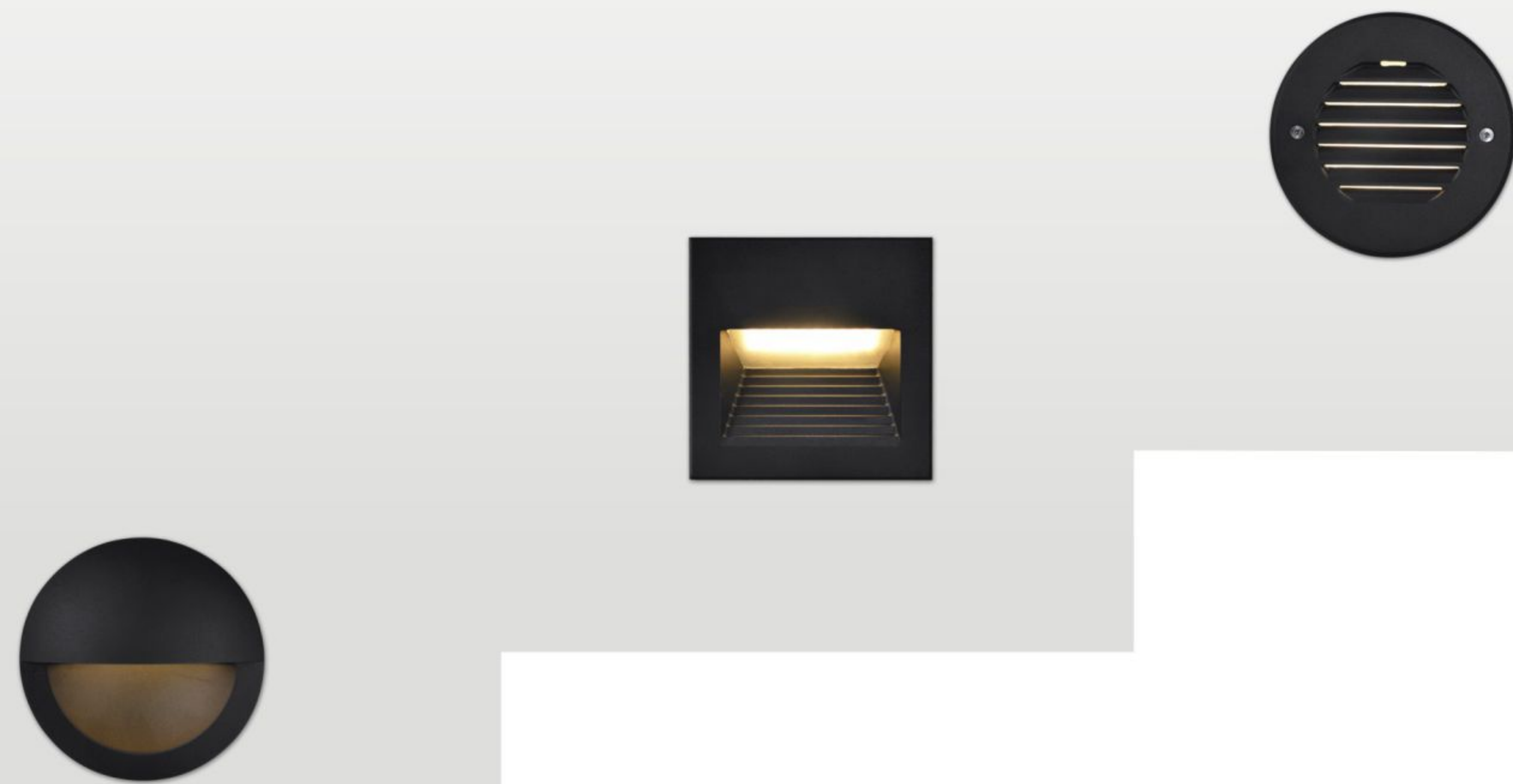
220-240VAC 431519A

LED: SUNPU 3000K CRI 80
POWER: 6.6W
OPTIC: F
OUTPUT: 145Lm
CABLE/CLASS: H05RN-F 3*0.75mm²
DIMENSION: 145*110*30mm
HOLE SIZE: /



COLOR FINISHINGS:

■ PAB ■ SSS



PACE

PACE is a small recessed luminaire,
it is perfect as guidance light. Be it in a corridor or stairs,
PACE provides perfect light effect, guiding your way.
Available in both round, square and rectangular forms. Rectangular version,
PACE LONG, is available with stainless steel outer frame as an option.

CCC CE IP65 100-240VAC

PACE
ROUND 1



PAGE 273

PACE
ROUND 2



PAGE 274

PACE
SQUARED



PAGE 275 272

PACE
LONG 1



PAGE 276

PACE
LONG 2



PAGE 277

PACE
LONG 3



PAGE 278

PACE
LONG 4



PAGE 279



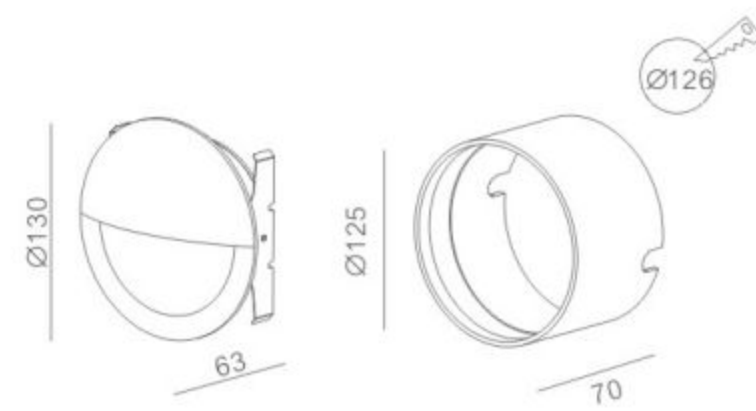
ROUND 1



ROUND 2

100-240VAC 416814

LED: EDISON 3000K CRI 80
POWER: 2.25W
OPTIC: F
OUTPUT: 50Lm
CABLE/CLASS: H05RN-F 3*0.75mm²
DIMENSION: Ø130*63mm
HOLE SIZE: Ø126mm

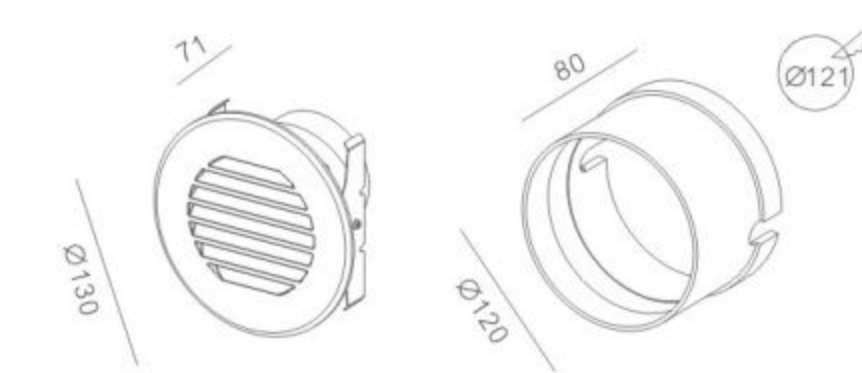


COLOR FINISHINGS:

PGY PAB

100-240VAC 416914

LED: EDISON 3000K CRI 80
POWER: 5.5W
OPTIC: F
OUTPUT: 50Lm
CABLE/CLASS: H05RN-F 3*0.75mm²
DIMENSION: Ø130*71mm
HOLE SIZE: Ø121mm



COLOR FINISHINGS:

PGY PAB



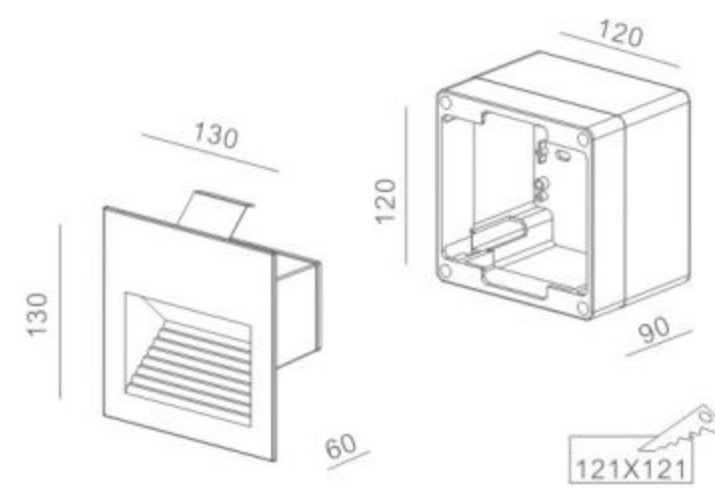
SQUARED



LONG 1

100-240VAC 417014

LED: EDISON 3000K CRI 80
 POWER: 2.25W
 OPTIC: F
 OUTPUT: 110Lm
 CABLE/CLASS: H05RN-F 3*0.75mm²
 DIMENSION: 130*130*60mm
 HOLE SIZE: 121*121mm

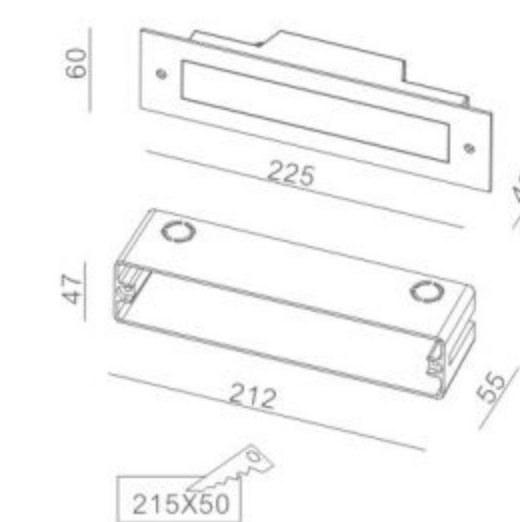


COLOR FINISHINGS:

- PGY
- PAB

100-240VAC 417114

LED: EDISON 3000K CRI 80
 POWER: 2.25W
 OPTIC: F
 OUTPUT: 85Lm
 CABLE/CLASS: H05RN-F 3*0.75mm²
 DIMENSION: 225*60*49mm
 HOLE SIZE: 215*50mm



COLOR FINISHINGS:

- AISI 316L



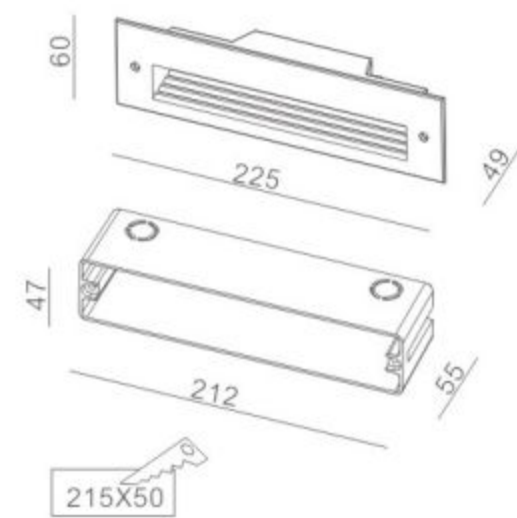
LONG 2



LONG 3

100-240VAC 417214

LED: EDISON 3000K CRI 80
POWER: 2.25W
OPTIC: F
OUTPUT: 30Lm
CABLE/CLASS: H05RN-F 3*0.75mm²
DIMENSION: 225*60*49mm
HOLE SIZE: 215*50mm

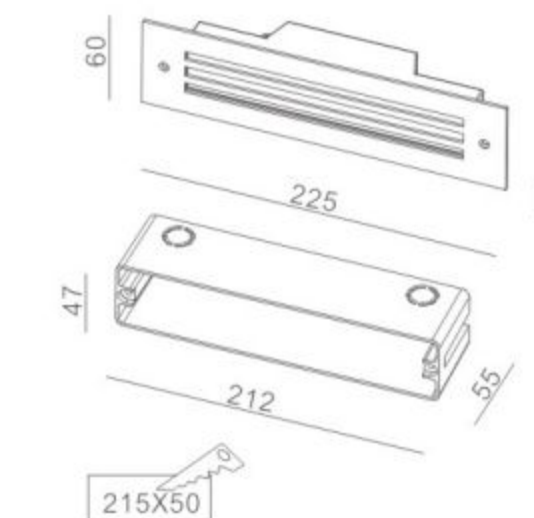


COLOR FINISHINGS:

- PGY
- PAB

100-240VAC 417314

LED: EDISON 3000K CRI 80
POWER: 2.5W
OPTIC: F
OUTPUT: 50Lm
CABLE/CLASS: H05RN-F 3*0.75mm²
DIMENSION: 225*60*49mm
HOLE SIZE: 215*50mm



COLOR FINISHINGS:

- SSS-PGY
- PSV
- PCS
- PAB



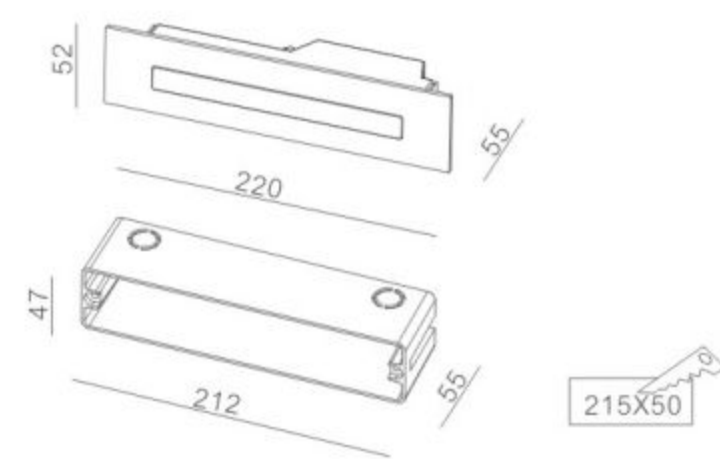
LONG 4

279

100-240VAC

430914

LED: EDISON 3000K CRI 80
POWER: 5W
OPTIC: P
OUTPUT: 137Lm
CABLE/CLASS: H05RN-F 3*0.75mm²
DIMENSION: 220*52*55mm
HOLE SIZE: 215*50mm



COLOR FINISHINGS:

■ PAB



EXTERIOR WALL

280

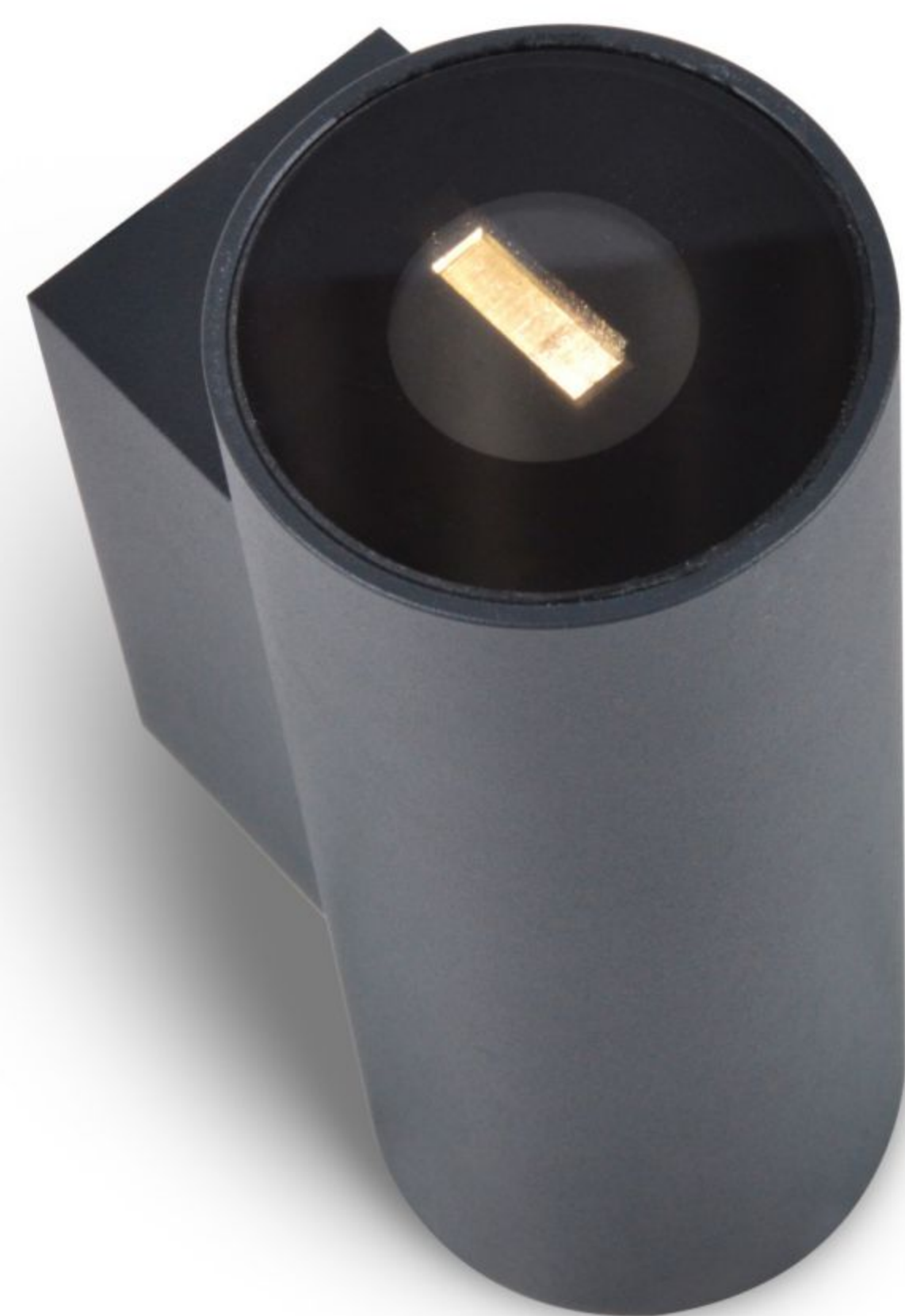
281



EXTERIOR WALL

282





QUIVER

QUIVER with IP65 is a new product in FLUA outdoor wall lights family. Thanks to its simple, and at the same time, elegant appearance QUIVER, with only 52mm in diameter, will be the great choice for hotels, residential spaces and other projects.

7° narrow beam angle gives special lighting performance with up and down light directions.

CCC CE IP65 100-240VAC

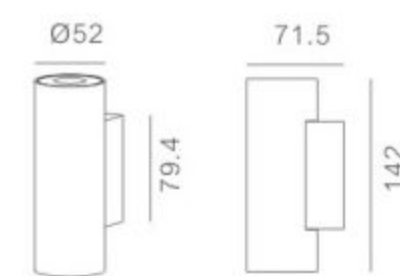




285

100-240VAC 432427A

LED: OSRAM 3000K CRI 80
POWER: 5.7W
OPTIC: 7°
OUTPUT: 34Lm
CABLE/CLASS: H05RN-F 3*0.75mm²
DIMENSION: 52*71.5*142mm
HOLE SIZE: /



COLOR FINISHINGS:

PGY



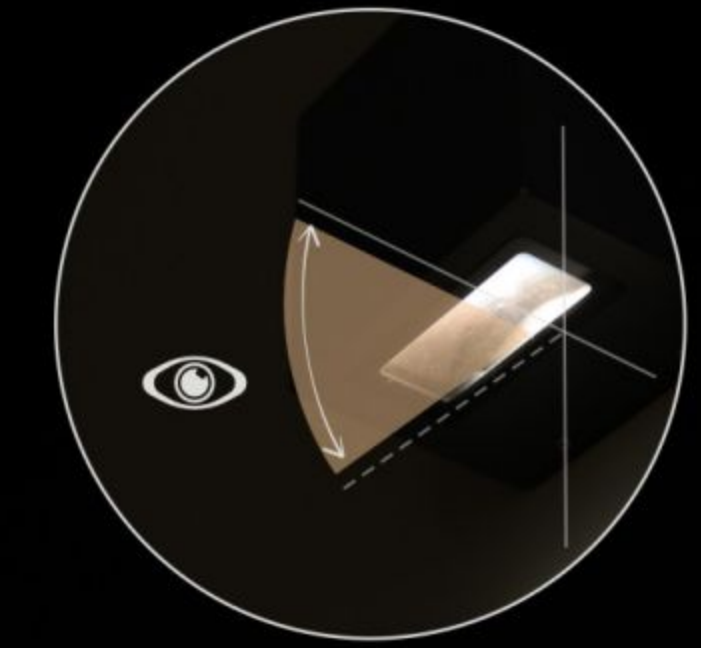
EXTERIOR WALL

286

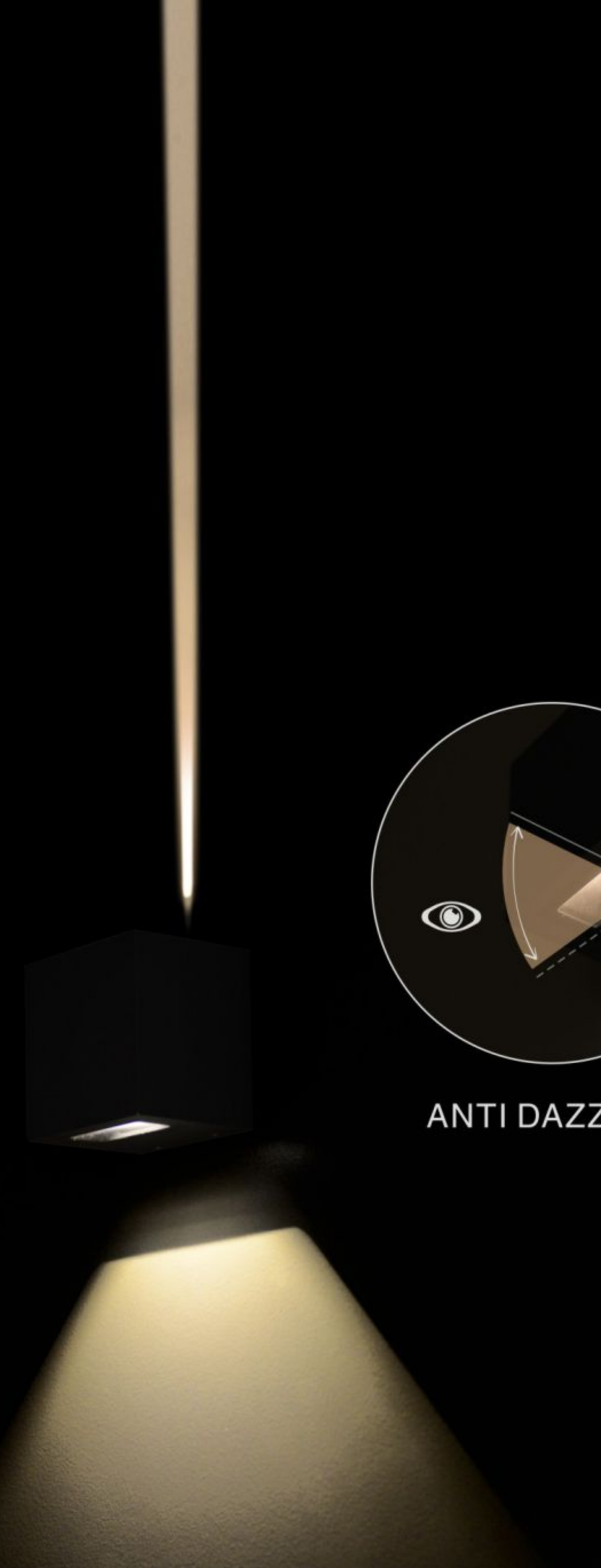
SIMPHONIA

SIMPHONIA is a new concept design in FLUA range of products. This splendid luminaire creates beautiful lighting patterns on the wall. Can match any kind of design requirement. Thanks to IP 65, SIMPHONIA can be used for outdoor usage. Thanks to special lens, the rays are becoming extremely paralleled.

© CE IP65 100-240VAC



ANTI DAZZLING



SIMPHONIA

EXTERIOR WALL



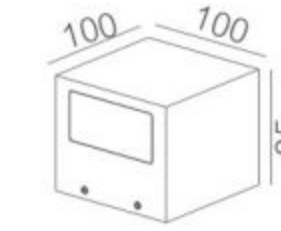
I / O / DI / IO / DO / FI / DIO / FO



SIMPHONIA I
100-240VAC

432517A

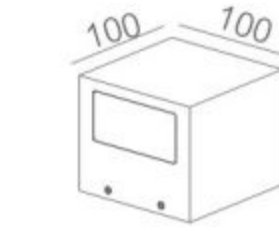
LED: OSRAM 3000K CRI 80
POWER: 3W
OPTIC: R
OUTPUT: 20Lm
CABLE/CLASS: H05RN-F 3*0.75mm²
DIMENSION: 100*100*85mm
HOLE SIZE: /



SIMPHONIA O
100-240VAC

432617A

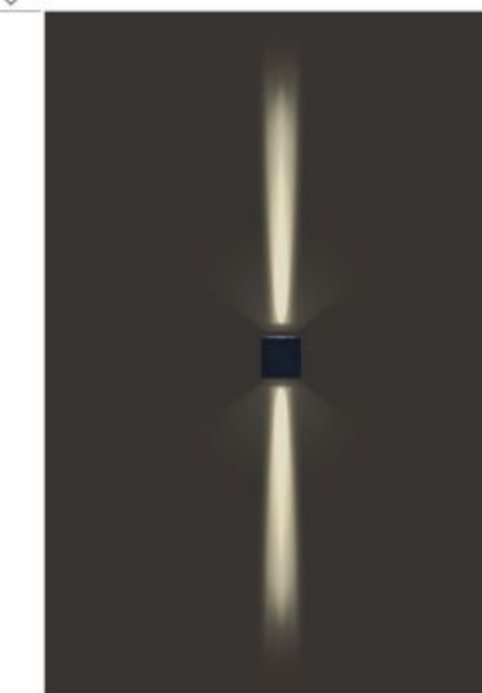
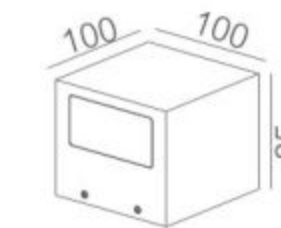
LED: OSRAM 3000K CRI 80
POWER: 3W
OPTIC: R
OUTPUT: 68Lm
CABLE/CLASS: H05RN-F 3*0.75mm²
DIMENSION: 100*100*85mm
HOLE SIZE: /



SIMPHONIA DI
100-240VAC

432717A

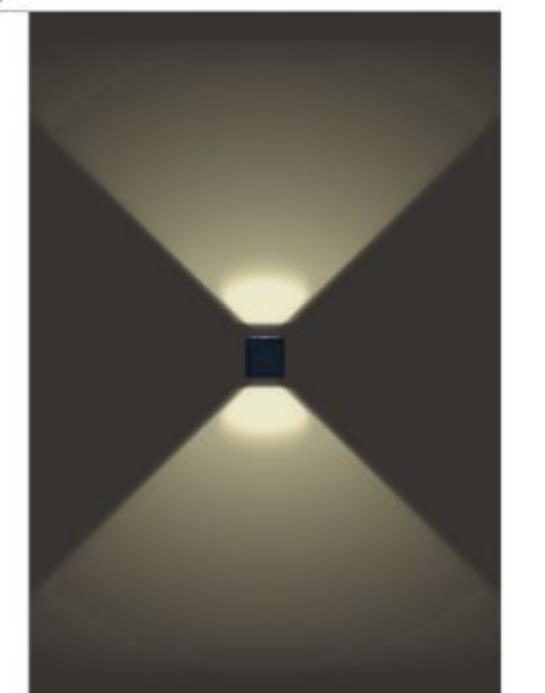
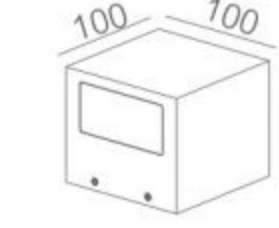
LED: OSRAM 3000K CRI 80
POWER: 5.7W
OPTIC: R
OUTPUT: 41Lm
CABLE/CLASS: H05RN-F 3*0.75mm²
DIMENSION: 100*100*85mm
HOLE SIZE: /



SIMPHONIA DO
100-240VAC

432917A

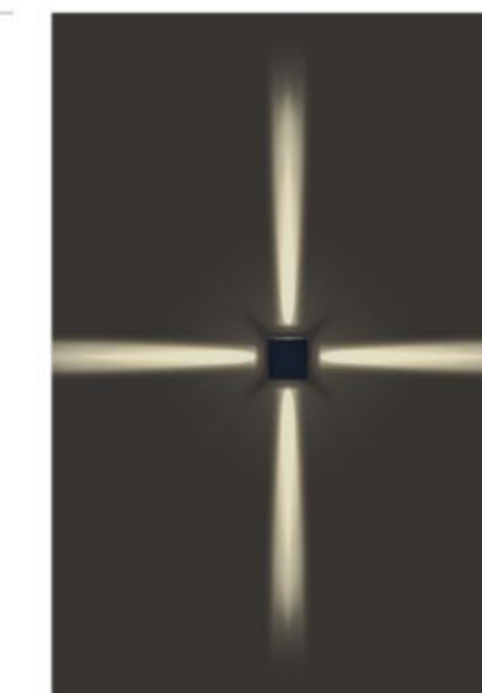
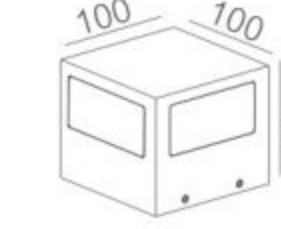
LED: OSRAM 3000K CRI 80
POWER: 5.7W
OPTIC: R
OUTPUT: 159Lm
CABLE/CLASS: H05RN-F 3*0.75mm²
DIMENSION: 100*100*85mm
HOLE SIZE: /



SIMPHONIA FI
100-240VAC

433017A

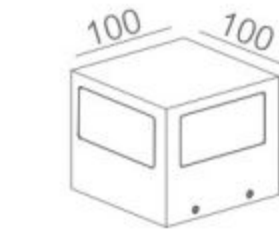
LED: OSRAM 3000K CRI 80
POWER: 10W
OPTIC: R
OUTPUT: 90Lm
CABLE/CLASS: H05RN-F 3*0.75mm²
DIMENSION: 100*100*85mm
HOLE SIZE: /



SIMPHONIA FO
100-240VAC

433217A

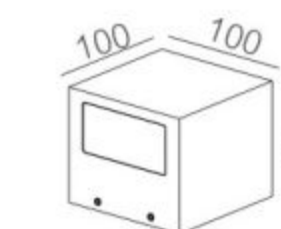
LED: OSRAM 3000K CRI 80
POWER: 10W
OPTIC: R
OUTPUT: 301Lm
CABLE/CLASS: H05RN-F 3*0.75mm²
DIMENSION: 100*100*85mm
HOLE SIZE: /



SIMPHONIA IO
100-240VAC

432817A

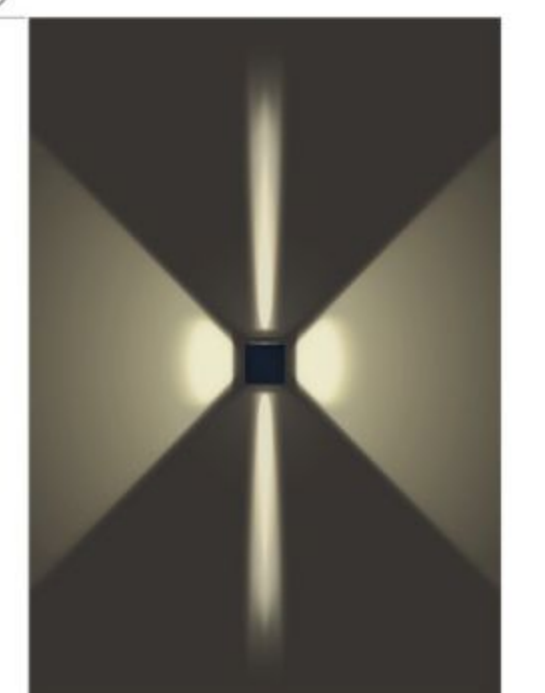
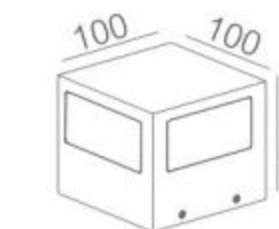
LED: OSRAM 3000K CRI 80
POWER: 5.7W
OPTIC: R
OUTPUT: 106Lm
CABLE/CLASS: H05RN-F 3*0.75mm²
DIMENSION: 100*100*85mm
HOLE SIZE: /



SIMPHONIA DIO
100-240VAC

433117A

LED: OSRAM 3000K CRI 80
POWER: 10W
OPTIC: R
OUTPUT: 112Lm
CABLE/CLASS: H05RN-F 3*0.75mm²
DIMENSION: 100*100*85mm
HOLE SIZE: /



COLOR FINISHINGS:



PGY



291

TEAR

TEAR with its triangular shaped light creates incredible effect on the floor.
This is the newest concept of guidance light for hallways and staircases.

CCC CE IP65 100-240VAC

TEAR

EXTERIOR WALL

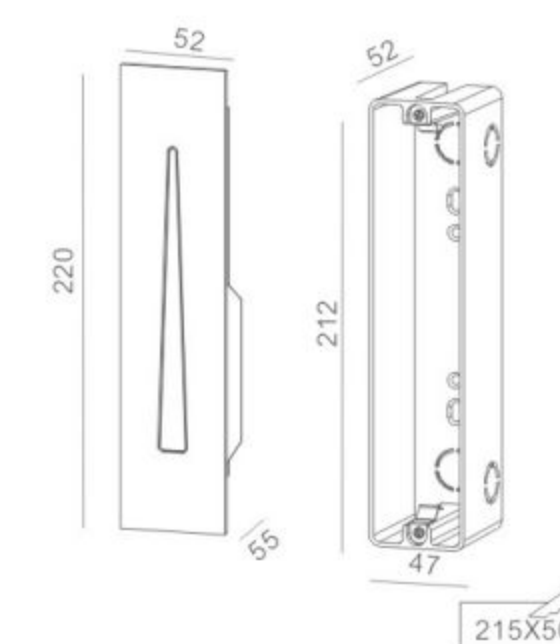


292

100-240VAC

430717

LED: OSRAM 3000K CRI 80
POWER: 2.6W
OPTIC: P
OUTPUT: 10Lm
CABLE/CLASS: H05RN-F 3*0.75mm²
DIMENSION: 220*52*55mm
HOLE SIZE: 215*50mm



COLOR FINISHINGS:

PGY

TUBUS

TUBUS has already become classic model of FLUA outdoor range.
 Thanks to special convex lens,
 TUBUS creates delineated parabolic light effect,
 making unique configurations on the wall.
 TUBUS is available in 2 versions up light or up/down.

© CE IP65 24VDC 100-240VAC

TUBUS
 SINGLE / SINGLE DC



PAGE 295

TUBUS
 DOUBLE / DOUBLE DC



PAGE 296



SINGLE DC/ SINGLE



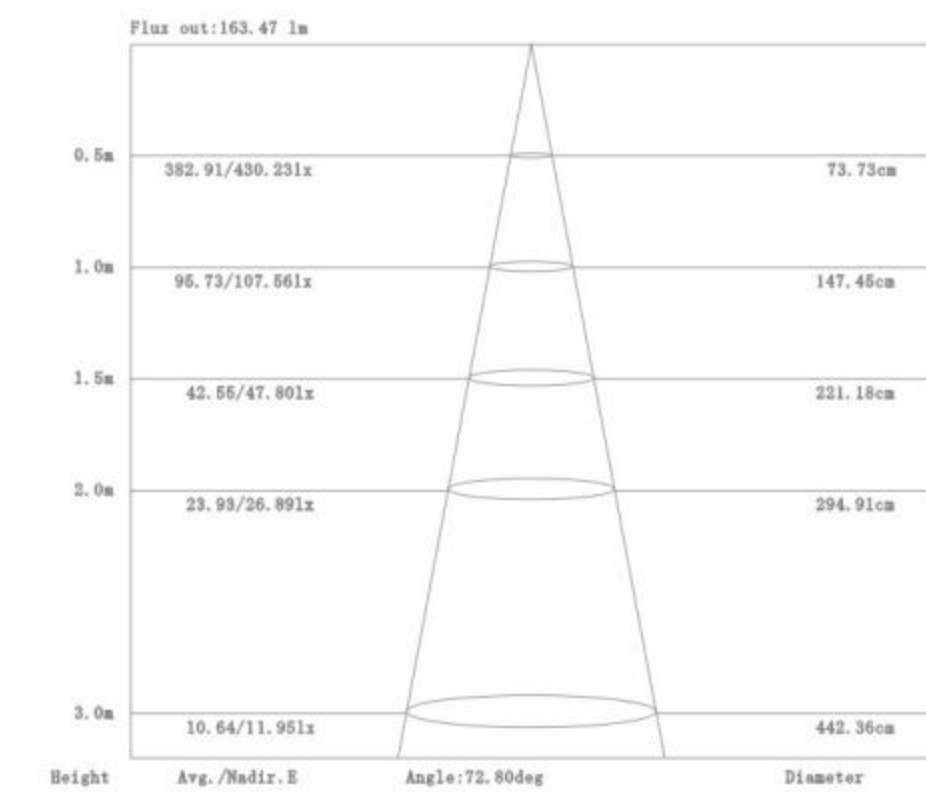
DOUBLE DC / DOUBLE

24VDC 412611A 

LED: OSRAM 3000K CRI 80
 POWER: 2.4W
 OPTIC: C
 OUTPUT: 180Lm
 DIMENSION: $\varnothing 103 \times 93$ mm
 HOLE SIZE: $\varnothing 75$ mm

100-240VAC 412711A 

LED: OSRAM 3000K CRI 80
 POWER: 2.6W
 OPTIC: C
 OUTPUT: 180Lm
 DIMENSION: $\varnothing 103 \times 93$ mm
 HOLE SIZE: $\varnothing 75$ mm



HOUSING COLOR:
 PGY

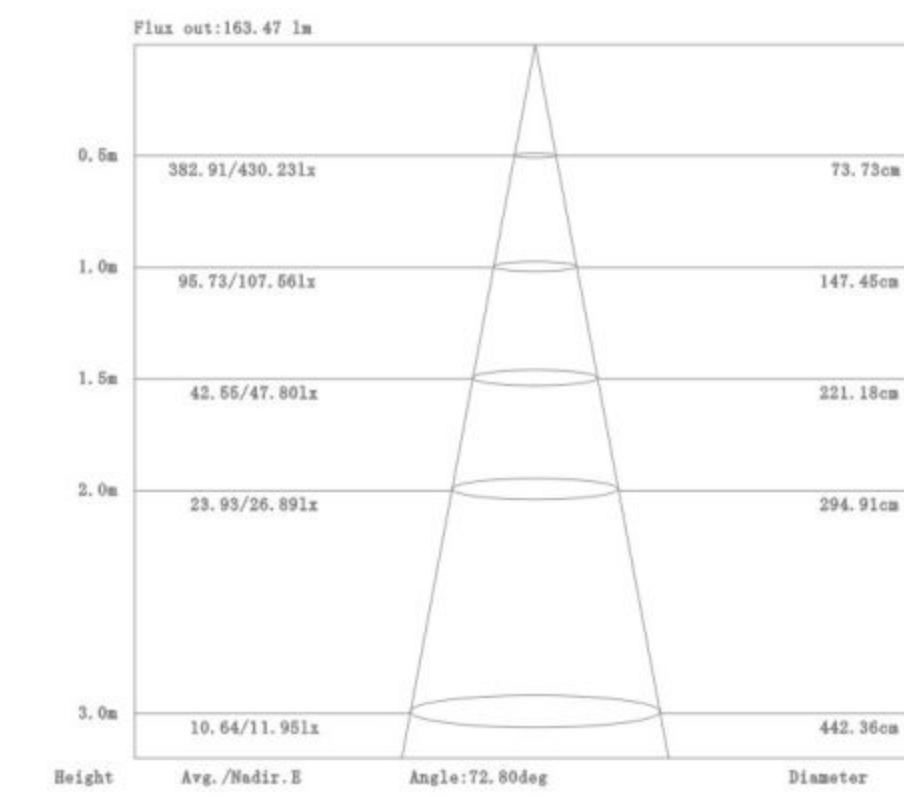


24VDC 412811A 

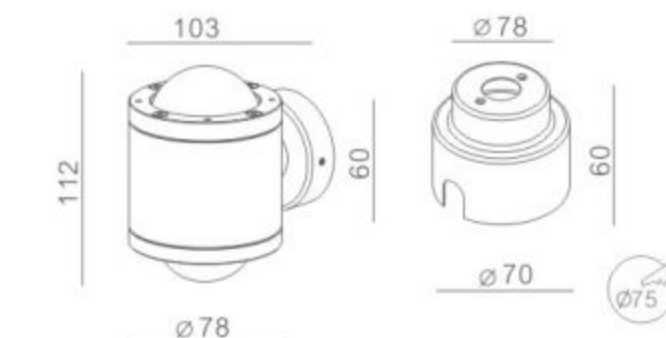
LED: OSRAM 3000K CRI 80
 POWER: 2*2.4W
 OPTIC: C
 OUTPUT: 360Lm
 DIMENSION: $\varnothing 103 \times 112$ mm
 HOLE SIZE: $\varnothing 75$ mm

100-240VAC 412911A 

LED: OSRAM 3000K CRI 80
 POWER: 2*2.6W
 OPTIC: C
 OUTPUT: 360Lm
 DIMENSION: $\varnothing 103 \times 112$ mm
 HOLE SIZE: $\varnothing 75$ mm








HOUSING COLOR:
 PGY





297

EXTERIOR PROFESSIONAL

21-78	INGROUND	
81-134	GARDEN SPOT	
137-138	WALL	
141-152	WALL WASHER	
155-184	UNDER WATER	

EXTERIOR INSPIRATION

189-194	INGROUND	
197-244	GARDEN SPOT	
247-296	WALL	

ACCESSORIES

299-304	ELECTRICAL SYSTEM	
305-310	EXTERIOR ACCESSORIES	

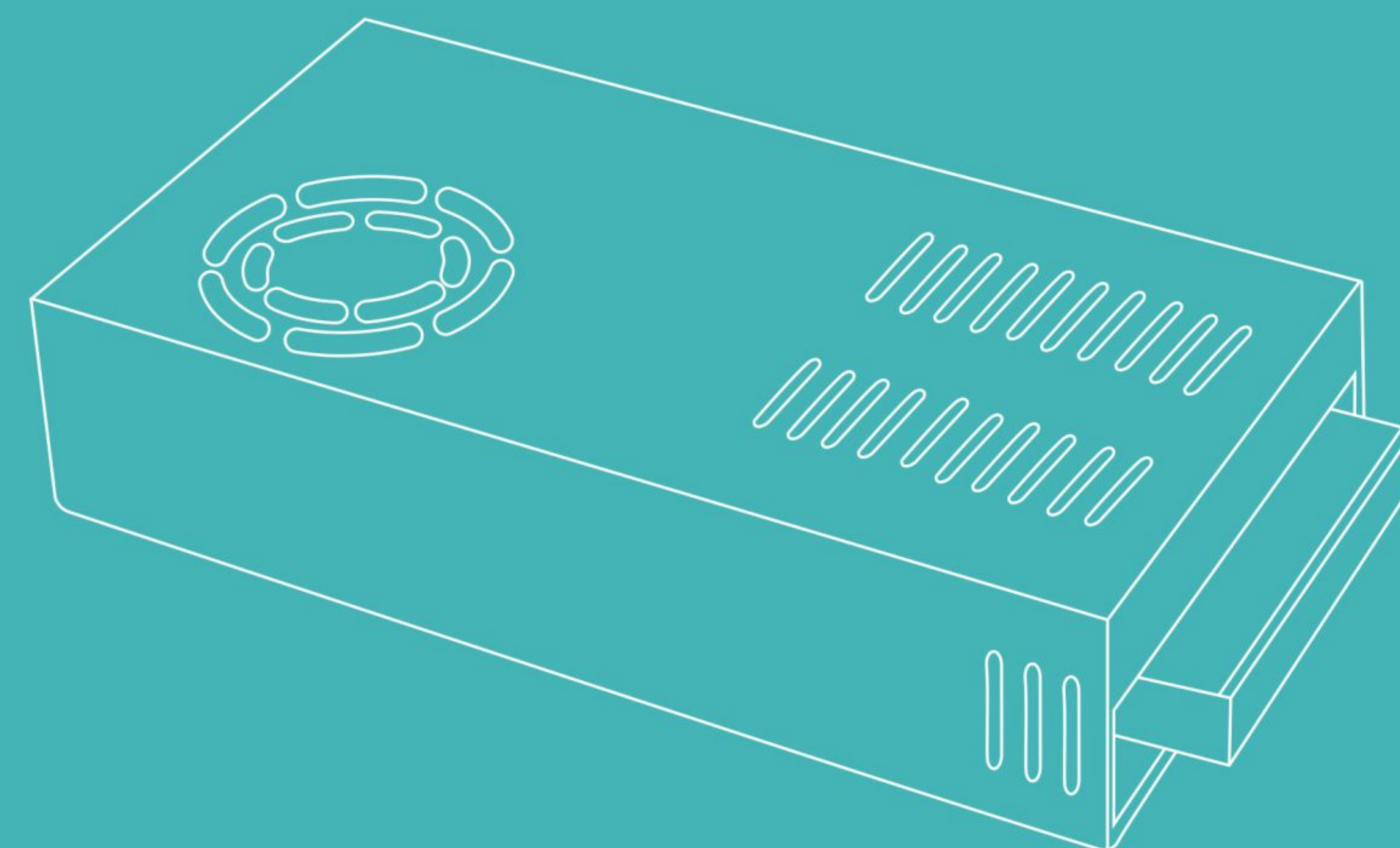
ACCESSORIES

ELECTRICAL SYSTEM

299-304

299

300





LRS

UL US (On Request)

Product Name	Power	Input	Output	IP	Mode No.
LRS-50-48	50W	85-264VAC	48VDC 1.1A	20	002030
LRS-75-48	75W	85-264VAC	48VDC 1.6A	20	002031
LRS-100-48	100W	85-264VAC	48VDC 2.3A	20	002032
LRS-200-48	200W	90-132VAC/180-264VAC	48VDC 4.4A	20	002034
LRS-350-48	350W	90-132VAC/180-264VAC	48VDC 7.3A	20	002035

Product Name	Power	Input	Output	IP	Mode No.
LRS-50-24	50W	90-130VAC/180-264VAC	24VDC 2.2A	20	001017
LRS-75-24	75W	90-130VAC/180-264VAC	24VDC 3.2A	20	001660
LRS-100-24	100W	90-130VAC/180-264VAC	24VDC 4.5A	20	001623
LRS-200-24	100W	90-130VAC/180-264VAC	24VDC 8.8A	20	001624
LRS-350-24	350W	90-130VAC/180-264VAC	24VDC 14.6A	20	002538

Product Name	Power	Input	Output	IP	Mode No.
HLG-100H-24	100W	90-264VAC	24VDC 4.0A	65	001025
HLG-150H-24	150W	90-264VAC	24VDC 6.3A	65	001026
HLG-240H-24	240W	90-264VAC	24VDC 10.0A	65	001027
HLG-320H-24	320W	90-264VAC	24VDC 13.34A	65	001028



HLG SERIES

UL US (On Request)

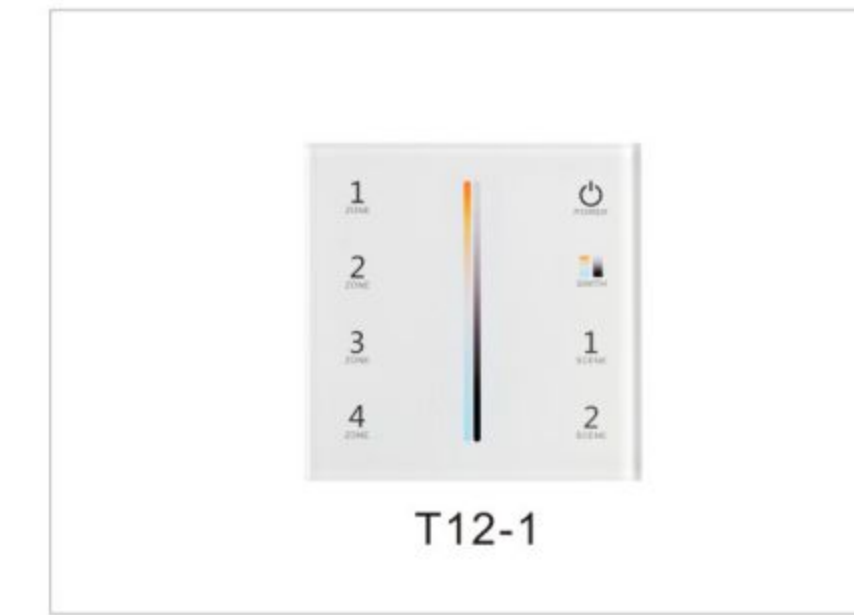
Product Name	Power	Input	Output	IP	Mode No.
LPV-20-24	20W	90-264VAC	24VDC 0.84A	67	001029
LPV-35-24	35W	90-264VAC	24VDC 1.5A	67	001030
LPV-60-24	60W	90-264VAC	24VDC 2.5A	67	001031
LPV-100-24	100W	90-264VAC	24VDC 4.2A	67	001032



LPV SERIES

UL US (On Request)

DMX DIMMING PANEL



T12-1

SKYDANCE T12-1

Dimming mode: DMX
 Input Voltage: 85-265Vac
 Max Current Load: /
 Max Load Power: /
 Control Mode: DMX512 Color Temperature(RF2.4G)
 Working Temperature: -30°C~55°C
 Package Size: L113xW113xH50(mm)
 Weight(G.W): 245g

002183 DIM COLOR DMX RF2.4

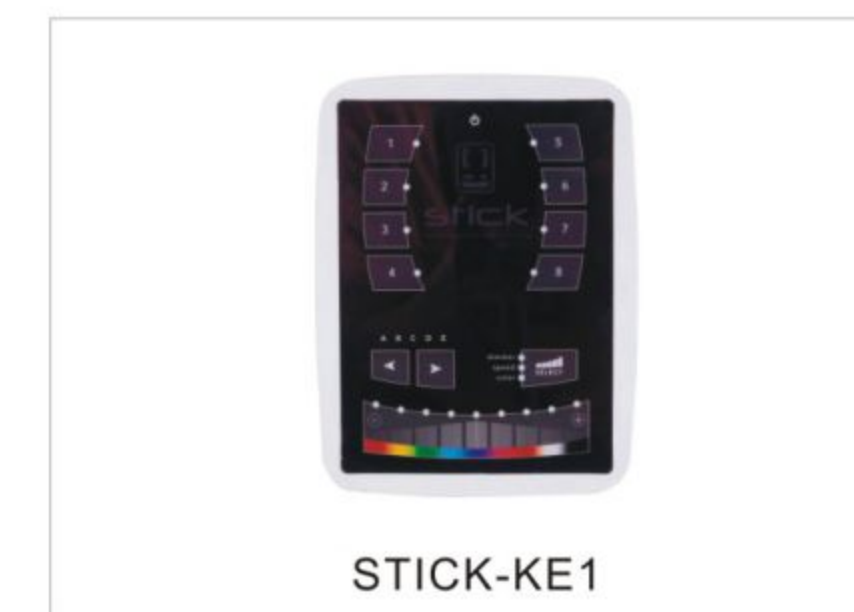


T14-1

SKYDANCE T14-1

Dimming mode: DMX
 Input Voltage: 85-265Vac
 Max Current Load: /
 Max Load Power: /
 Control Mode: DMX512 RGBW(RF2.4G)
 Working Temperature: -30°C~55°C
 Package Size: L113xW113xH50(mm)
 Weight(G.W): 245g

002302 DIM RGBW DMX RF2.4



STICK-KE1

NICOLAUDIE STICK-KE1

Dimming mode: DMX
 Input Voltage: 12~24Vdc
 Output Protocol: DMX512 (x2)
 Programmability: PC, Mac, Tablet, Smartphone
 Connections: USB, Ethernet, RS232, Clock, 8 dry contact ports, Output Relay
 Memory: microSD card
 Mounting: "Single or double gangwall socket"
 Working Temperature: -10°C~50°C
 Package Size: L106xW106xH60(mm)
 Weight(G.W): 200g
 Standards: EC, EMC, ROHS, ETL

000518 DIM RGBW



STICK-GU2

NICOLAUDIE STICK-GU2

Dimming mode: DMX
 Input Voltage: 5.5~12Vdc
 OS requirement: Mac OSx 10.6/10.7/10.8 - Windows XP/VISTA/SEVEN/8 32/64 bits and USB 2.0
 Software: Easy Stand Alone, ESA2 (PC & Mac)
 Connections: Power (2pins) DMX (3pins) Port (2 pins) Micro-usb
 Working Temperature: 0°C~50°C
 Package Size: L140xW135xH50(mm)
 Weight(G.W): 365g
 Standards: EC, EMC, ROHS, ETL, UL

001036 DIM RGB

RGB CONTROLLER



LT-3600RF

LTECH LT-3600RF	001034
Input Voltage:	12~24Vdc
Max Current Load:	6Ax3CH Max 18A
Max Output Power:	216W/432W(12Vdc/24Vdc)
Function Mode:	16Modes
Control Button:	8 Press Button
RF Remote Distance:	100m
Working Temperature:	-30°C~55°C
Package Size:	L313xW50xH32(mm)
Weight(G.W):	240g



LT-8030

LTECH LT-8030	000151
Input Voltage:	5~24Vdc
Input Signal:	DMX512
DMX512 Socket:	XLR-3, Green Terminal
Max Current Load:	4Ax3CH Max 12A
Max Output Power:	60W/144W/288W(5Vdc/12Vdc/24Vdc)
Dimming Range:	0~100%
Working Temperature:	-30°C~55°C
Package Size:	L135xW70xH50(mm)
Weight(G.W):	305g



LT-3060

LTECH LT-3060	001039
Input Voltage:	5~24Vdc
Input Signal:	PWM
Max Current Load:	5Ax3CH Max 15A
Max Output Power:	75W/180W/360W(5Vdc/12Vdc/24Vdc)
Working Temperature:	-30°C~55°C
Package Size:	L123xW42xH42(mm)
Weight(G.W):	100g

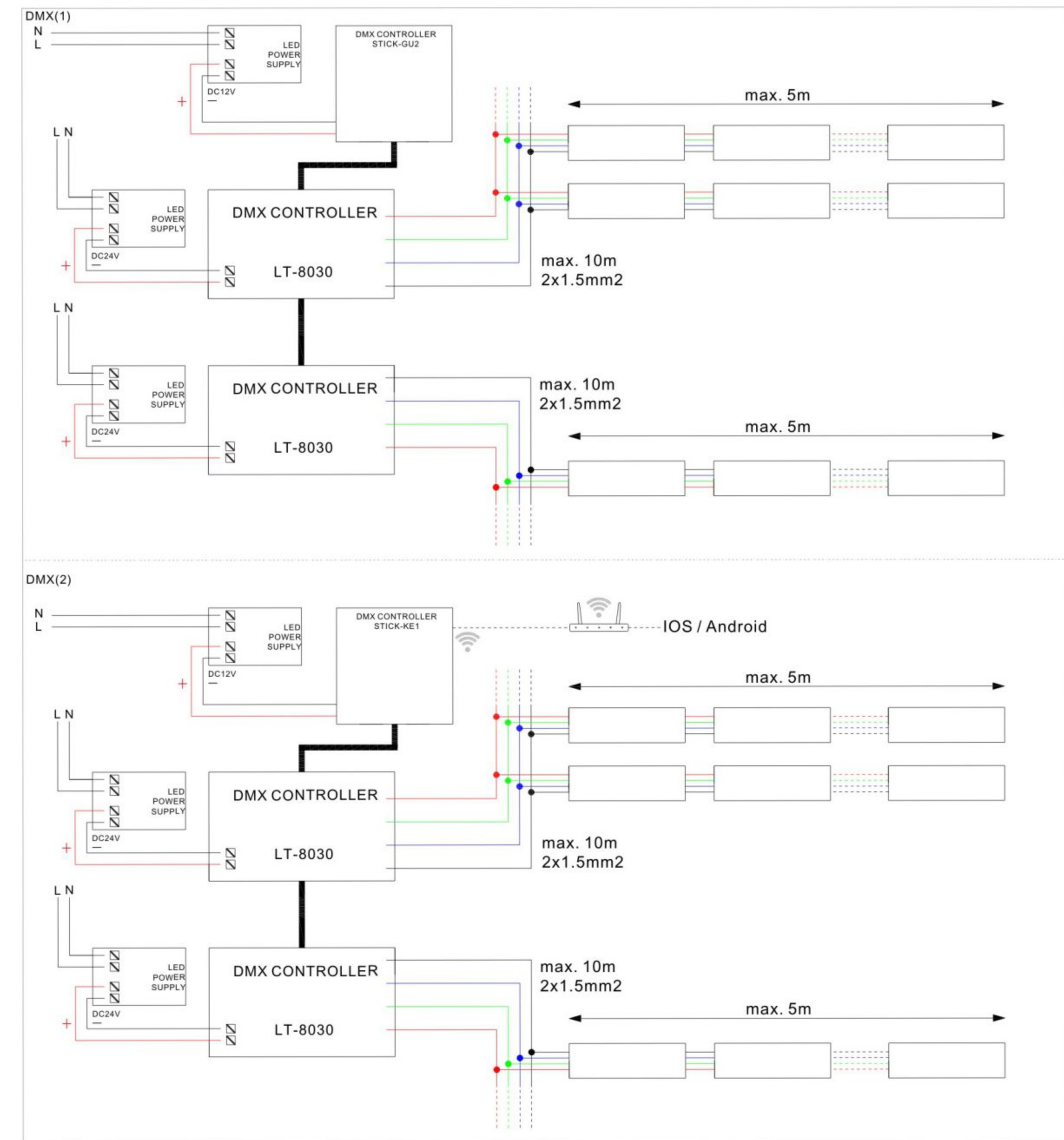


LT-870

LTECH LT-870	001035
Input Voltage:	5~24Vdc
Input/Output Signal:	DMX512
Working Frequency Channel:	2.4GHz ISM 64Channels
Max Transmitted Power:	20dBm
Receiver Sensitivity:	-96dBm
Communication Distance:	350m
Working Temperature:	-30°C~55°C
Package Size:	L178xW56xH31(mm)
Weight(G.W):	125g

CONNECTION

DMX CONNECTION



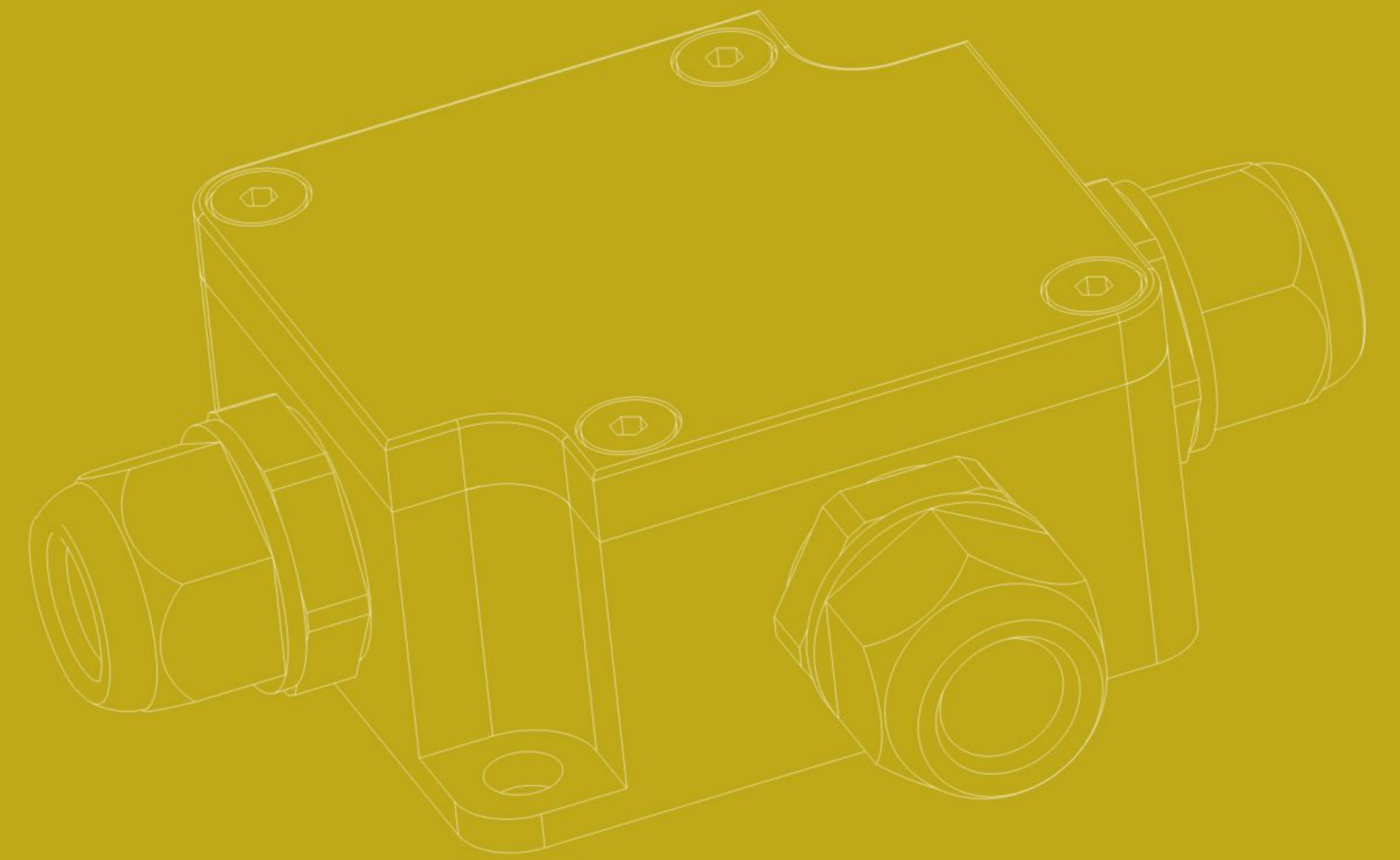
ACCESSORIES

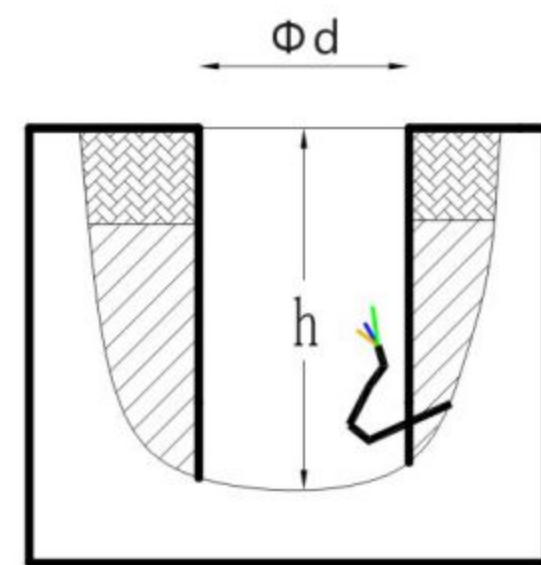
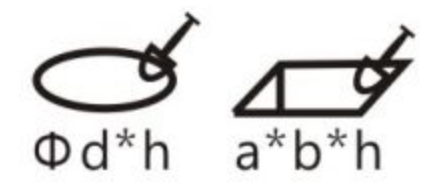
EXTERIOR ACCESSORIES

305

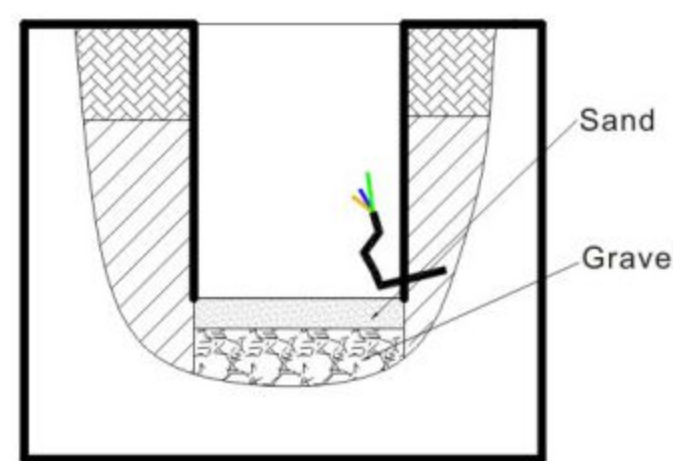
305-310

306

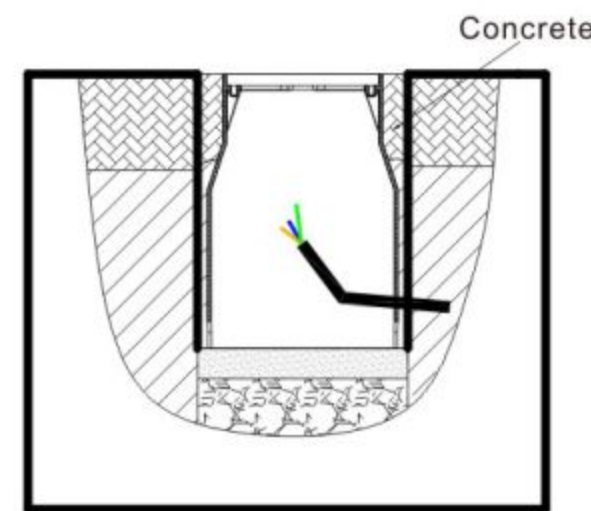




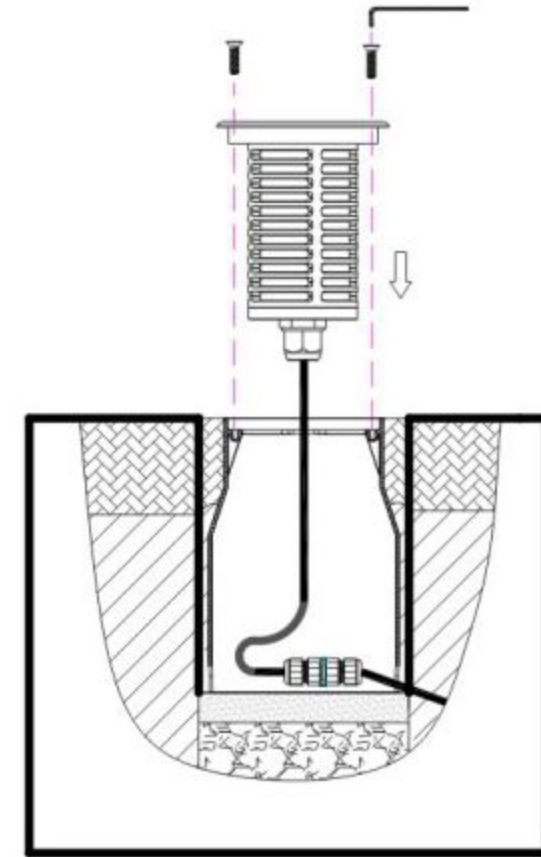
Step 1:
Dig hole according to instructed dimension and arrange the wiring.



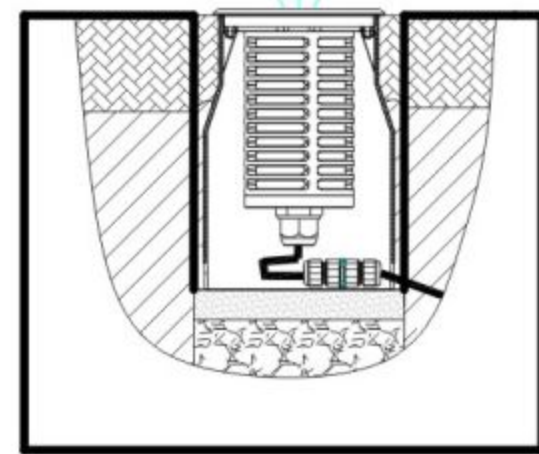
Step 2:
Cover the bottom with gravel and sand or other permeable material.



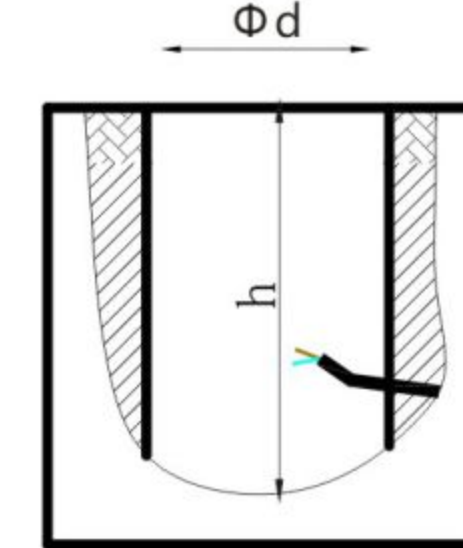
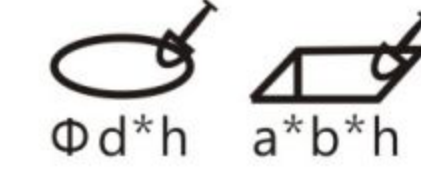
Step 3:
Put the installation box in the hole and make it level to the ground; pour concrete around to fix the box.



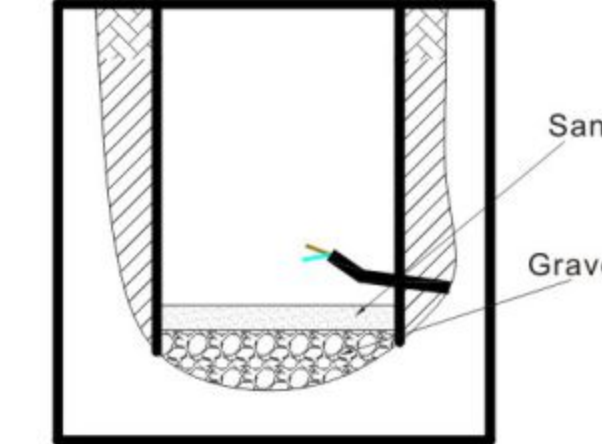
Step 4:
Wire up the fixture to cable; screw the fixture to the installation box.



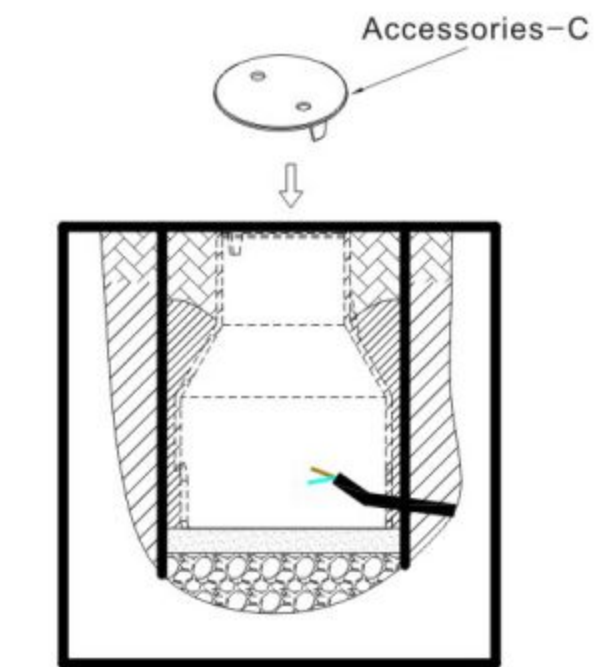
Step 5:
Turn on the light for testing



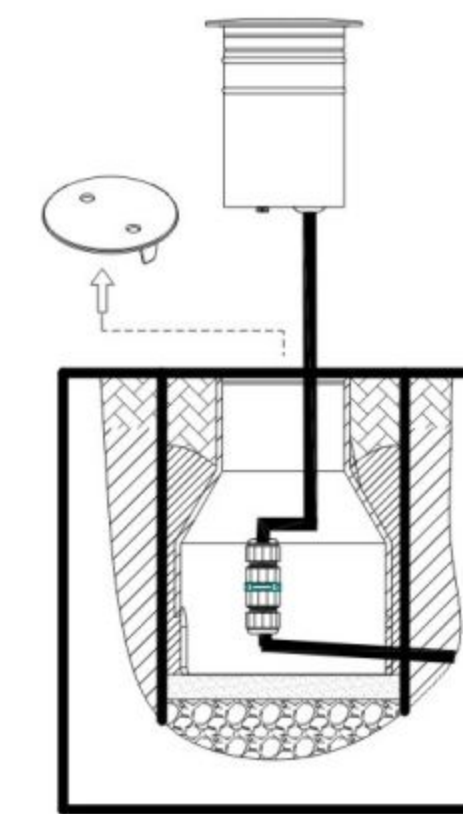
Step 1:
Dig hole according to instructed dimension and arrange the wiring.



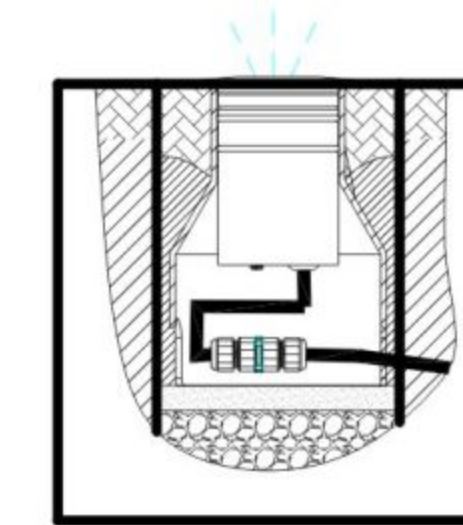
Step 2:
Cover the bottom with gravel and sand or other permeable material.



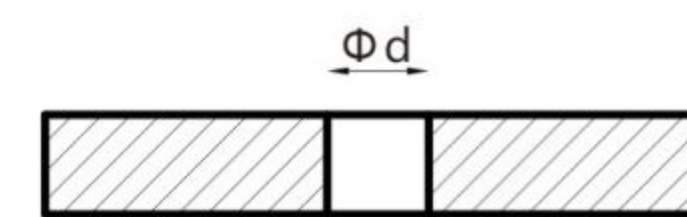
Step 3:
Cover Accessories-C on top of the installation box to prevent concrete or debris from getting in. ensure the installation box is level with ground



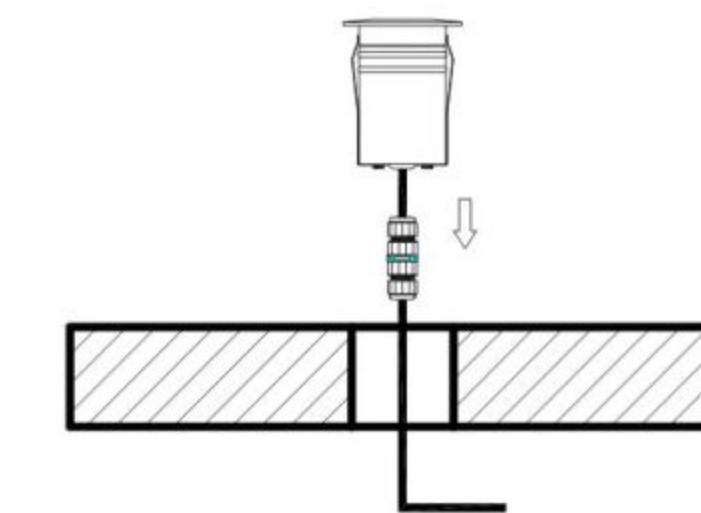
Step 4:
Take away the box cover Accessories-C; Wire up the lighting fixture; Put the fixture in the installation box.



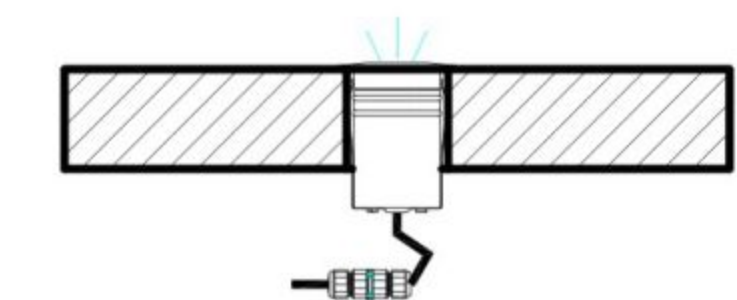
Step 5:
Turn on the light for testing



Step 1:
Dig hole according to instructed dimension and arrange the wiring.



Step 2:
Connect the lamp with wire then put into the hole.



Step 3:
Turn on the light for testing

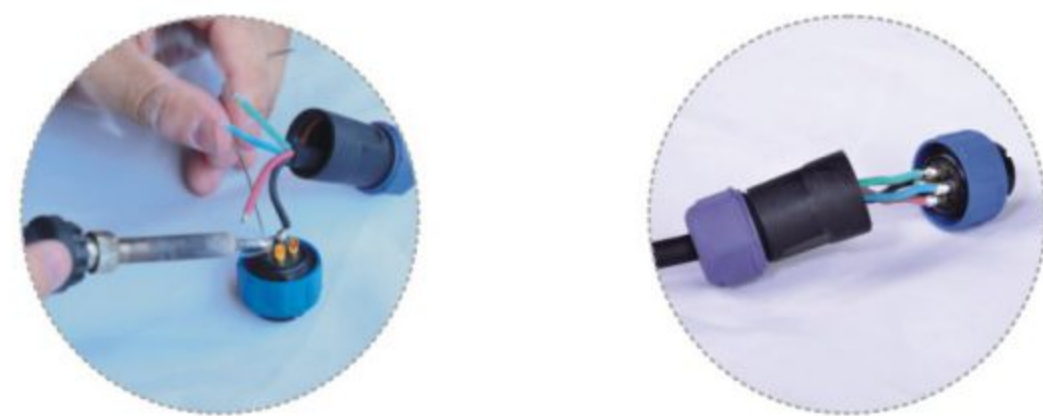
Plugs (welding IP67)



CP 2

CP 3

CP 4



Plugs (screwed IP68)

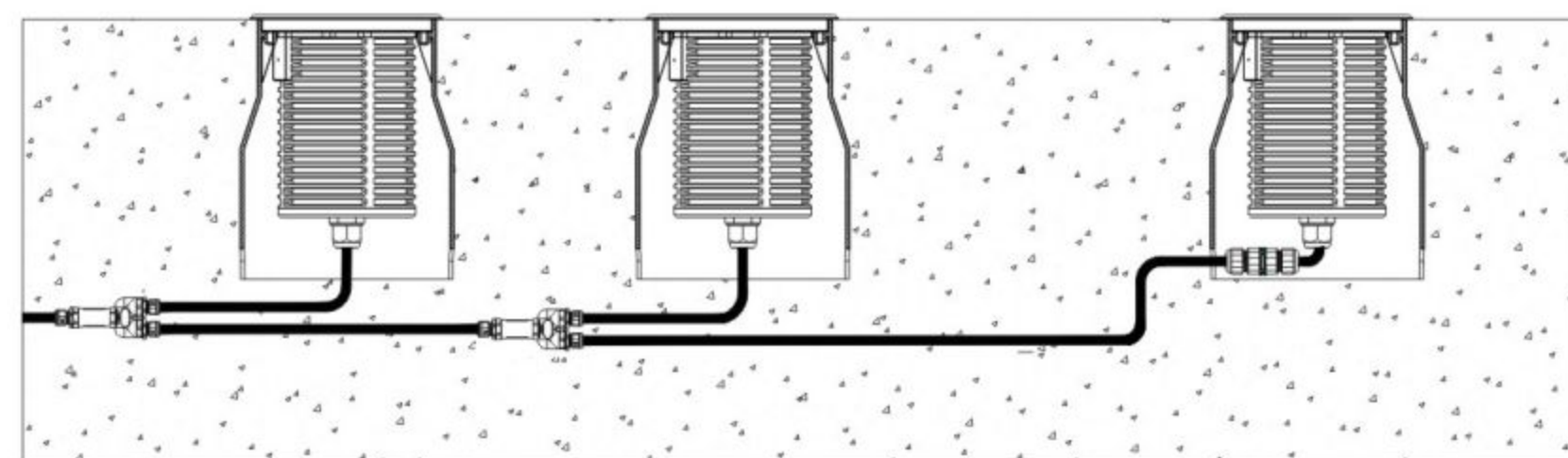


TH 391

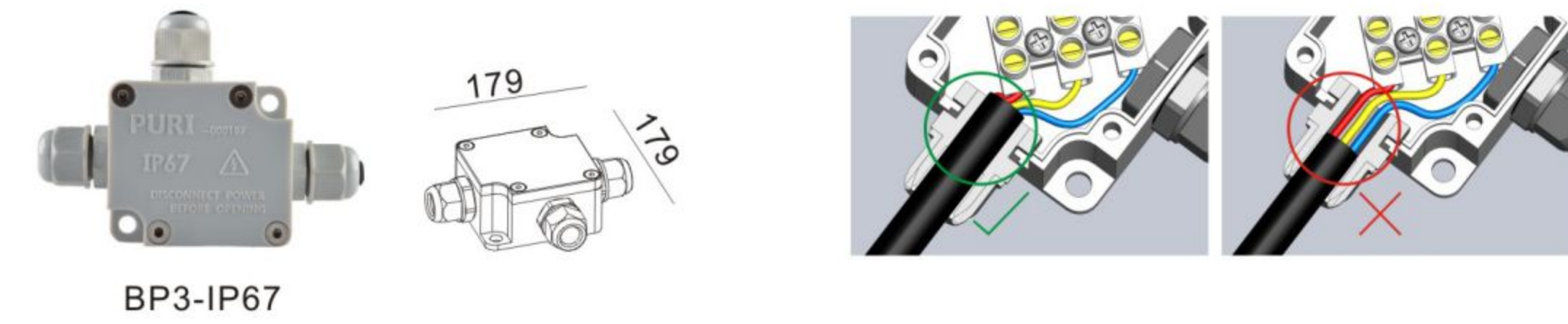
TH 391R
Anti-condensation barrier

TH 399

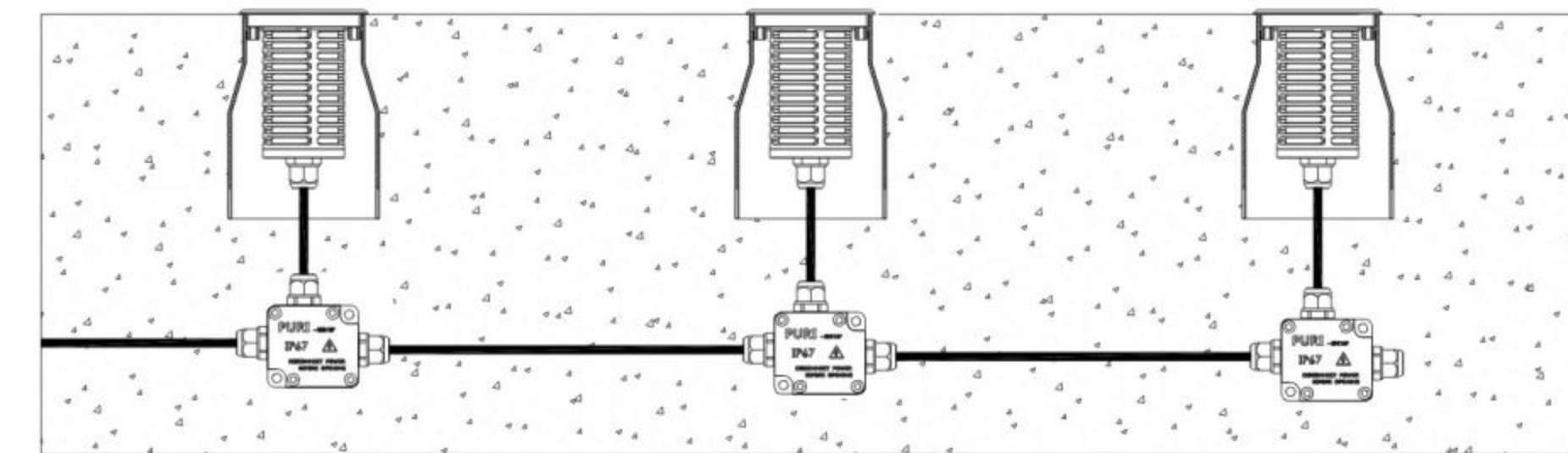
TH 392R
Anti-condensation barrier



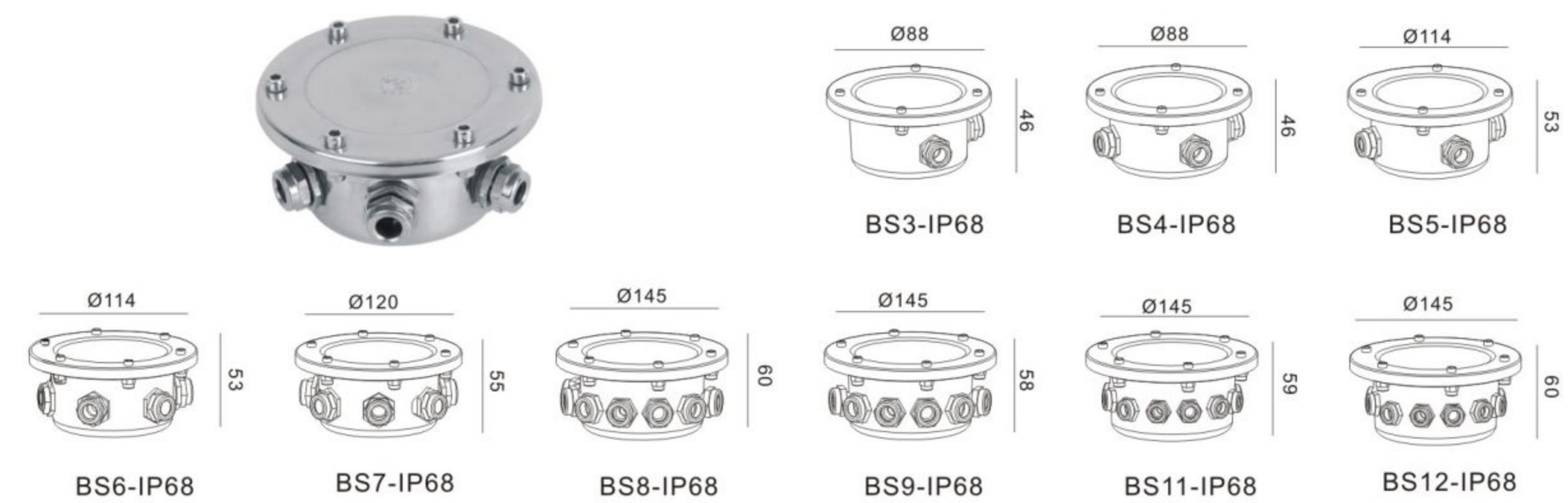
Boxes (IP67)



BP3-IP67



Boxes (IP68)



BS6-IP68

BS7-IP68

BS8-IP68

BS9-IP68

BS11-IP68

BS12-IP68

